

Kendo-45M- Installation Instructions

Models K45M-XX

**Please read complete instruction prior to installation
and keep for future reference!**



Page 1 of 4



7777 N. Merrimac Ave
Niles, IL 60714
T 224.333.6033
F 224.757.7557
info@luminii.com
www.luminii.com



Kendo-45M with
angular profile



Kendo-45M with
round profile

Instruction page index:

Mounting bracket installation	2
Connect to Power	3
Power feed layout guide	4

Kendo-45M- Installation Instructions

Models K45M-XX

Please read complete instruction prior to installation and keep for future reference!

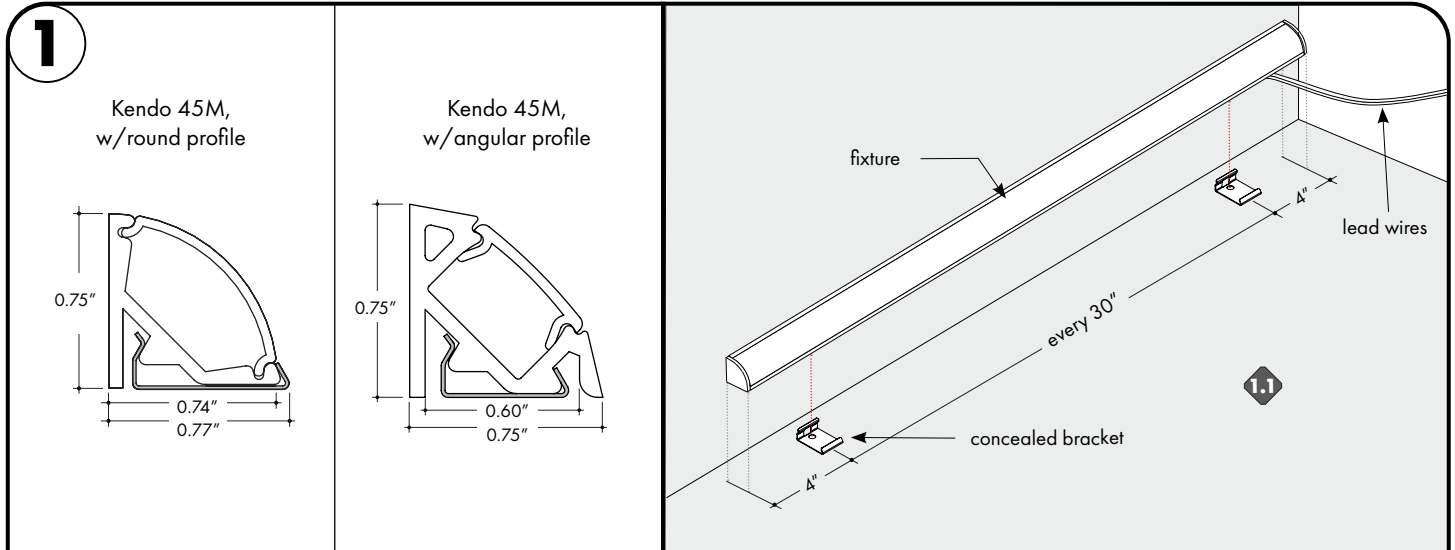
1. Product to be installed by a qualified electrician.
2. Prior to installation ensure power is off at fuse box to prevent electrical shock.



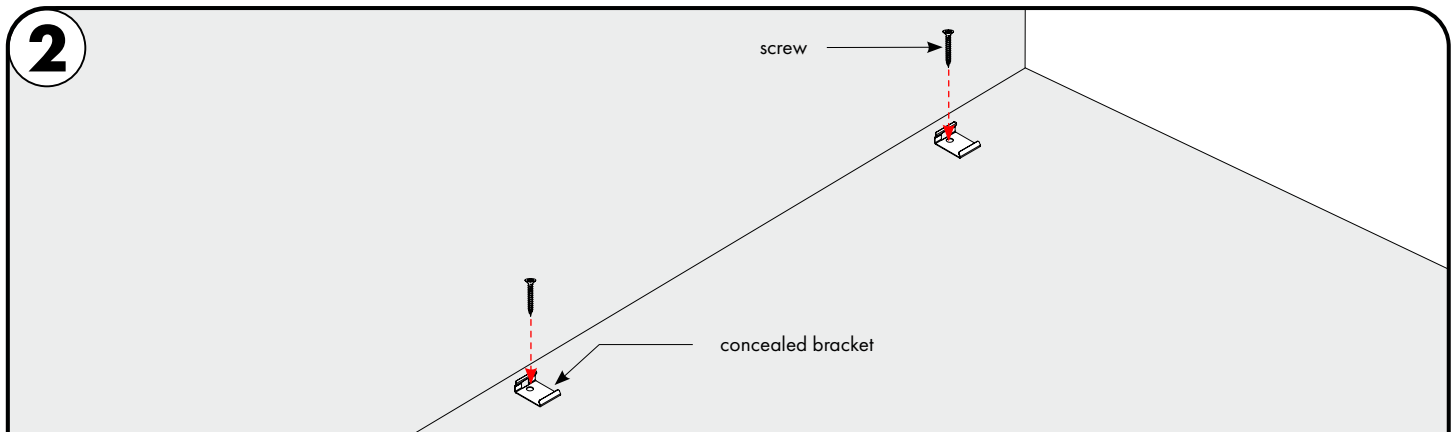
Page 2 of 4



7777 N. Merrimac Ave
Niles, IL 60714
T 224.333.6033
F 224.757.7557
info@luminii.com
www.luminii.com



- 1.1** Determine the location of where the fixture(s) will be installed. Lay the fixture(s) on the surface, and make any necessary reference marks for the concealed bracket. Make marks 4" from each end of the fixture(s) and also every 30" in between. Use the fixture profile and mounting bracket detail, for any additional details. **NOTE: If mounting next to a wall, leave a 0.25" gap. To later remove if needed.**
- 1.2** Lay the concealed bracket onto the reference mark points and secure using the provided hardware.



- 2.1** Align the mounting brackets to the marks, followed by securing each mounting bracket with 1 screws. Snap the extrusion into the mounting brackets.
- 2.2** To remove the extrusion from the mounting brackets, carefully insert a flat screwdriver to the bottom edge of the extrusion then pull up until the extrusion pops up.

Kendo-45M- Installation Instructions

Models K45M-XX

Please read complete instruction prior to installation and keep for future reference!

1. Product to be installed by a qualified electrician.
2. Prior to installation ensure power is off at fuse box to prevent electrical shock.



Page 3 of 4



7777 N. Merrimac Ave
Niles, IL 60714
T 224.333.6033
F 224.757.7557
info@luminii.com
www.luminii.com

3

Female quick connect end 0.45"
Lead wire end 0.20"
Male quick connect end 0.38"
Female/male adapter 0.45"

lead wires
pass through hole for power feed
3.1

3.1 If necessary make any pass through holes for wire lead/connector to the surface, depending on the power feed option. Then snap the fixture into the fixed mounting clip to secure in place. Diagram on the right side illustrates the common way of connecting multiple fixtures to each other, depending on the location of the power feed wires.

4

4.1 Follow one of the two options to connect the fixture to the power supply.

Option 1 - Secure female quick connect to male quick connect. Feed male quick connect wire through conduit to power supply.

Option 2 - Feed wire leads to the power supply.

to power supply
male quick connect
female quick connect
fixture
3.1
OR
3.1
to power supply
wire leads
fixture

5

5.1 Connect +24 VDC red wire from the fixture to the power supply +24V DC red wire with a wire nut. Connect -24V DC black wire from the fixture to power supply -24V DC black wire with a wire nut.

class II power supply
120 VAC
24 VDC
to fixture
3.1
+24 VDC RED
-24 VDC BLACK
+24 VDC RED
-24 VDC BLACK

Kendo-45M- Installation Instructions

Models K45M-XX

Please read complete instruction prior to installation and keep for future reference!

1. Product to be installed by a qualified electrician.
2. Prior to installation ensure power is off at fuse box to prevent electrical shock.



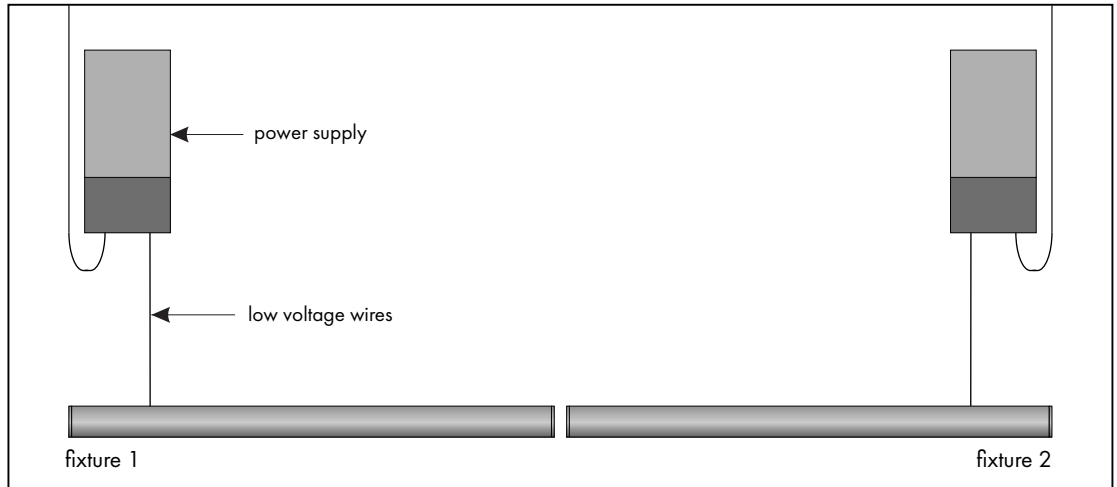
Page 4 of 4



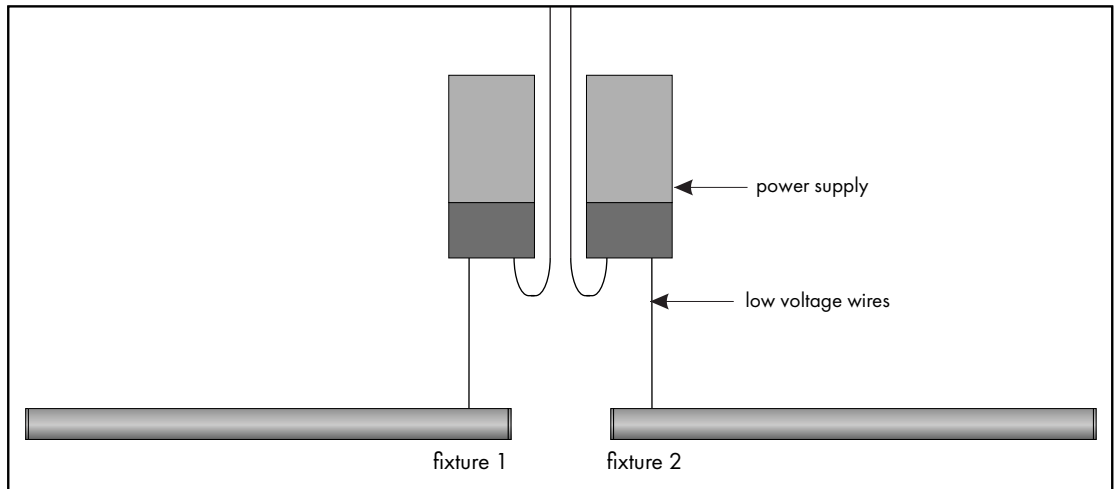
7777 N. Merrimac Ave
Niles, IL 60714
T 224.333.6033
F 224.757.7557
info@luminii.com
www.luminii.com

Multiple powerfeed layouts

power supplies at the end of the run



power supplies in the middle of the run



consecutive layout, NOT RECOMMENDED

