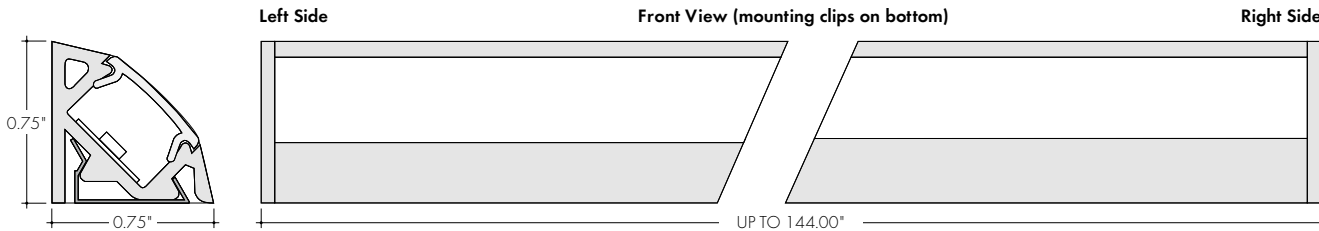


Features

- 24VDC Class 2 fixtures made to order up to 144". Fixtures can be linked up to 35' depending on output
- Suitable for undercabinet, millwork, recessed and surface mount applications
- Approved for closet/storage space installation per NEC 410.16(A)(3) and 410.16(C)(5)
- Operating environmental temperature -30C to 50C
- Vibrant colors with R9 values up to 98
- Single micro binned LEDs +/- 30 CCT
- Dims with minimal color shift
- Class 2 listed for wet locations
- Proprietary strong bond solder method handles up to 50lbs of torque on wire leads and connectors
- 3 Year warranty

Product dimensions



Technical information

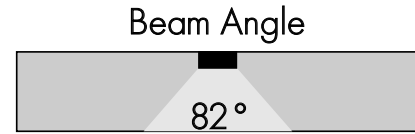
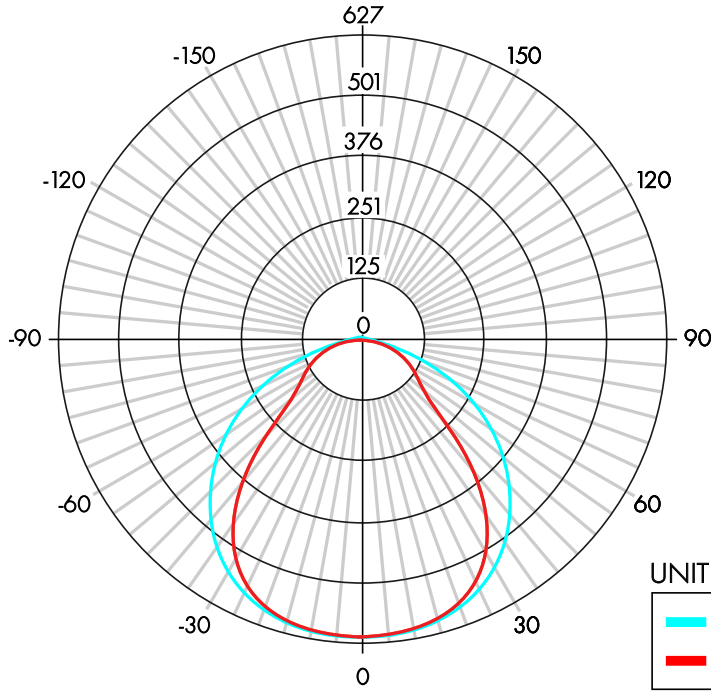
OUTPUT OPTIONS					CCT INFO/LUMEN MULTIPLIER			TM-30-15	
Output	Lumens at 3000K (with clear lens)	Average power consumption at 4'	Lumens / Watt (with clear lens)	Maximum system length In series	Color temperature	Multiplier (reference - 3000K)	CRI	R _f	R _g
SO (LL36)	199 lm/ft	3.2 W/ft	64 lm/W	35'	2200K	0.87	86	87	98
HO (LL54)	295 lm/ft	5.2 W/ft	62 lm/W	26'	2400K	0.73	98	95	102
VHO (LL72)	408 lm/ft	6.5 W/ft	65 lm/W	18'	2700K	0.81	97	95	101
					2900K	0.86	97	94	101
					3000K	1.00	91	89	98
					3500K	1.05	94	90	102
					4100K	1.28	94	86	96

Ordering code

MODEL	LENGTH	CCT	OUTPUT	LENS	MOUNTING	FINISH	POWER FEED POSITION / TYPE
K45M - Kendo 45M Wet	12" - 128" 4" increments	22K - 2200 K 24K - 2400 K 27K - 2700 K 29K - 2900 K 30K - 3000 K 35K - 3500 K 41K - 4100 K	SO - Standard HO - High VHO - Very High	C - Clear F - Frosted 13 - 13° Semifrosted	FC - Fixed clip NC - No clip	SA - Silver BK - Black BZ - Bronze WH - White (BK, BZ, WH finishes will have an upcharge and require longer lead times)	E - End B - Back 1 - 72" wire leads 1X2 - 72" wire leads at both ends 2 - 72" wire leads at one end and quick connect at other 3 - Single quick connect 4 - Dual quick connect

Photometry

K45M-48-30K-VHO-C-XX



UNIT: CD

- C0/180
- C90/270

Light Transmission

Lens/Accessory	Percentage Light Transmission
clear lens	100%
frosted lens	60%

LED Dotting per extrusion

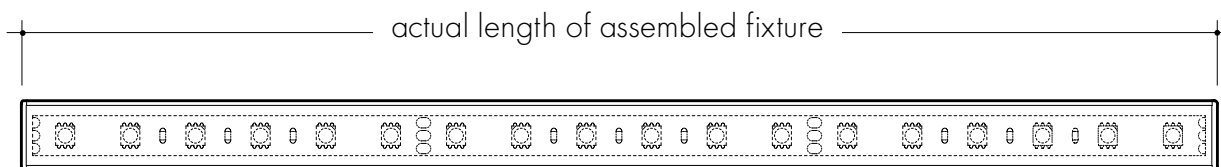
LED Dotting per output/lens			
Output Type	Lens Type		
	Clear	Frosted	13° Semi-Frosted
SO (LL36)	CD	ND	ND
HO (LL54)	CD	ND	ND
VHO (LL72)	CD	ND	ND



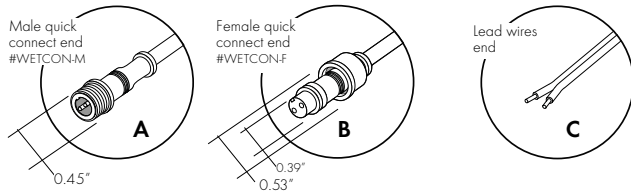
Power consumption per fixture length

Based on operation with PSD series of power supplies.

Nominal Length	Actual Length	SO		Actual Length	HO		Actual Length	VHO	
		W/ft	Total wattage		W/ft	Total wattage		W/ft	Total wattage
12"	12-13/16"	3.25	3.25	12-12/16"	5.35	5.30	12-12/16"	6.75	6.75
16"	16-11/16"	3.25	4.00	16-11/16"	5.33	7.06	16-10/16"	6.75	9.00
20"	20-11/16"	3.25	5.25	20-11/16"	5.31	8.82	20-10/16"	6.75	11.25
24"	24-9/16"	3.25	6.50	24-10/16"	5.30	10.60	24-9/16"	6.75	13.50
28"	28-8/16"	3.25	7.75	28-8/16"	5.28	12.33	28-8/16"	6.75	16.75
32"	32-8/16"	3.25	8.50	32-8/16"	5.26	14.06	32-7/16"	6.75	19.00
36"	36-6/16"	3.25	9.75	36-7/16"	5.25	15.80	36-6/16"	6.65	19.95
40"	40-5/16"	3.25	10.25	40-6/16"	5.23	17.40	41-5/16"	6.65	22.20
44"	44-5/16"	3.20	11.75	44-5/16"	5.21	19.00	45-4/16"	6.65	24.40
48"	48-4/16"	3.20	12.80	48-4/16"	5.20	20.60	49-3/16"	6.55	26.20
52"	52-3/16"	3.20	13.30	53-8/16"	5.18	22.40	53-2/16"	6.55	28.50
56"	56-2/16"	3.20	14.80	57-7/16"	5.16	24.20	57-1/16"	6.55	30.50
60"	60-1/16"	3.20	16.00	61-6/16"	5.15	26.00	61 "	6.45	32.25
64"	64 "	3.20	17.00	65-5/16"	5.13	27.60	64-15/16"	6.45	34.40
68"	69-14/16"	3.15	18.00	69-4/16"	5.11	29.20	68-14/16"	6.45	36.55
72"	73-13/16"	3.15	18.90	73-3/16"	5.10	30.80	72-13/16"	6.40	38.40
76"	77-12/16"	3.15	19.00	77-2/16"	5.08	32.40	76-12/16"	6.40	40.50
80"	81-12/16"	3.15	21.50	81-2/16"	5.06	34.00	80-11/16"	6.40	43.00
84"	85-10/16"	3.15	22.05	85-1/16"	5.05	35.70	84-10/16"	6.25	43.75
88"	89-9/16"	3.15	23.00	88-15/16"	5.03	37.10	88-9/16"	6.25	46.00
92"	93-8/16"	3.10	24.00	92-14/16"	5.01	38.50	92-8/16"	6.25	48.00
96"	97-7/16"	3.10	24.80	96-14/16"	5.00	40.00	97-7/16"	6.15	49.20
100"	101-7/16"	3.10	26.30	100-13/16"	4.98	41.60	101-6/16"	6.15	51.25
104"	105-5/16"	3.05	27.10	104-12/16"	4.96	43.20	105-4/16"	6.15	53.00
108"	109-5/16"	3.05	28.00	108-11/16"	4.95	44.80	109-4/16"	6.00	54.00
112"	113-4/16"	3.05	28.50	112-10/16"	4.93	46.20	113-3/16"	6.00	56.00
116"	117-2/16"	3.05	30.00	116-9/16"	4.91	47.60	117-2/16"	6.00	58.00
120"	121-2/16"	3.00	30.50	120-9/16"	4.90	48.90	121-1/16"	5.90	59.00
124"	125-1/16"	3.00	31.50	124-8/16"	4.88	50.40	125 "	5.90	60.60
128"	128-15/16"	3.00	32.50	128-7/16"	4.86	51.90	128-15/16"	5.90	62.20

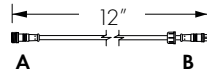


Connectors

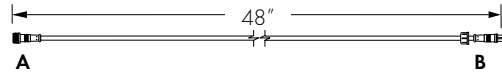


Linking and Extension Cable

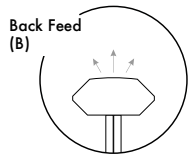
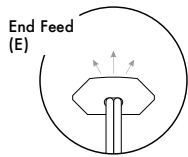
Male/female Joiner 12" - Part # IP67-12



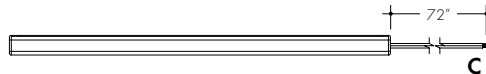
Male/female Joiner 48" - Part # IP67-48



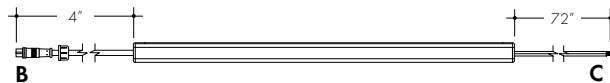
Powerfeed options with fixed bracket



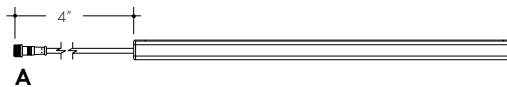
72" wire leads (1)



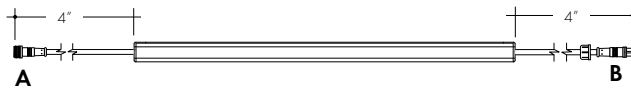
72" wire leads at one end and quick connect at other (2)



Single quick connect (3)



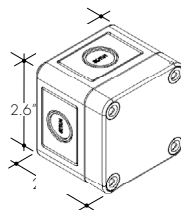
Dual quick connect (4)



Accessories

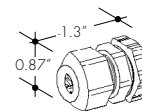
Splice Box:
Wet rated, low voltage splice box, gray

Part # LVSP-WET

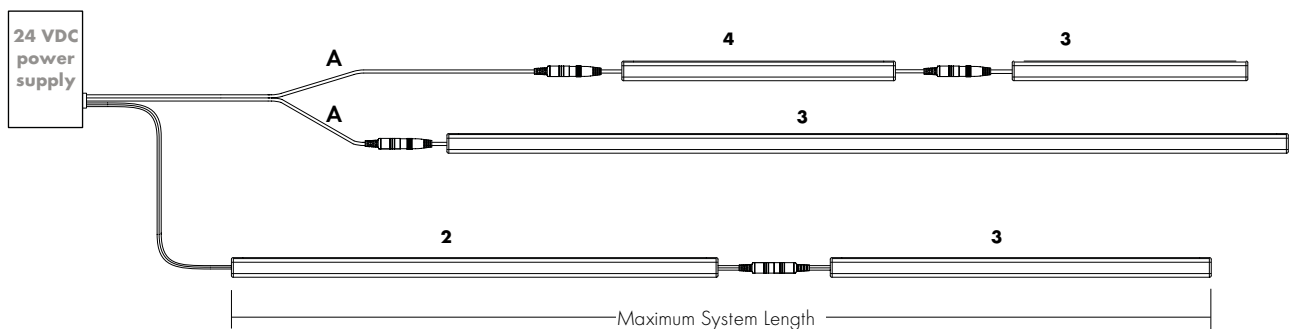


Connector:
Low voltage splice box wet cable management gray

Part # LVSP-WET-CM



Sample layout of powerfeed connections



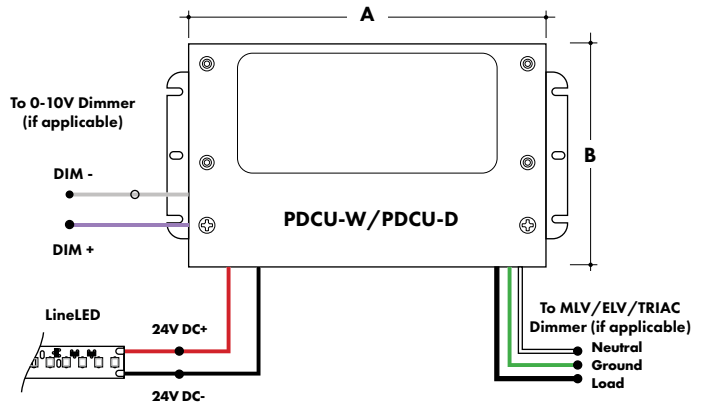
Power Supplies

See Power Supply instructions and spec sheet for wiring information. For a complete list of compatible dimmers, see Compatible Dimming Chart on the Resources page.

Universal Power Supply 1% 120VAC - 277VAC

MODEL	POWER	OUTPUT
PDCU-D - IP20 Dry Series	30 - 30 W 60 - 60 W 96 - 96 W 3X96 - 3X96 W	24 - 24 VDC
PDCU-W - IP66 Wet Series	96 - 96 W 3X96 - 3X96 W	

0-10V dims down to 1%, MLV/ELV/TRIAC dims down to 1%.
For a complete list of compatible dimmers, see [Compatible Dimming Chart](#) on the Resources page.

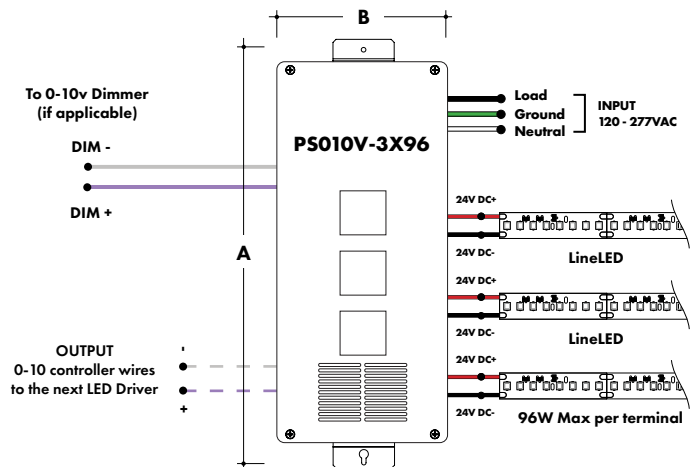
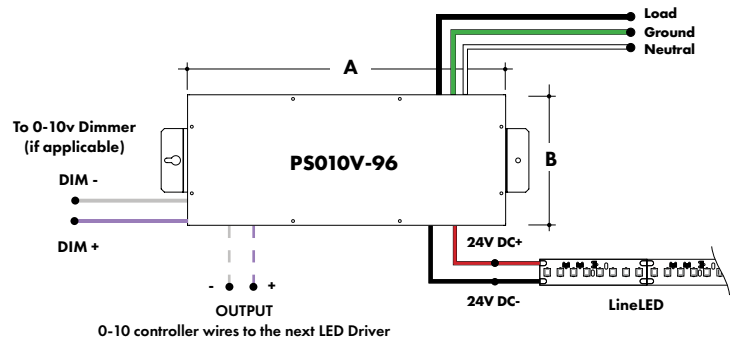


MODELS	PDCU-W 96W	PDCU-W 3X96W	PDCU-D 30W	PDCU-D 60W	PDCU-D 96W	PDCU-D 3X96W
A Length	8.66"	11.85"	6.10"	7.93"	8.25"	9.57"
B Width	3.73"	4.32"	3.35"	3.35"	4.10"	5.94"
Depth	1.61"	1.81"	1.33"	1.32"	1.56"	1.13"

0-10V Dimming Power Supplies 0.1% 120VAC - 277VAC

MODEL	POWER	OUTPUT	DIMMING
PS010V - 0-10V Power Supply dims down to 0.1%	96 - 96 Watt 3X96 - 3 X 96 Watt	24 - 24 VDC	LIN - Linear LOG - Logarithmic

MODELS	96W	3X96
A Length	14.40"	15.75"
B Width	5.20"	6.62"
Depth	2.60"	4.95"



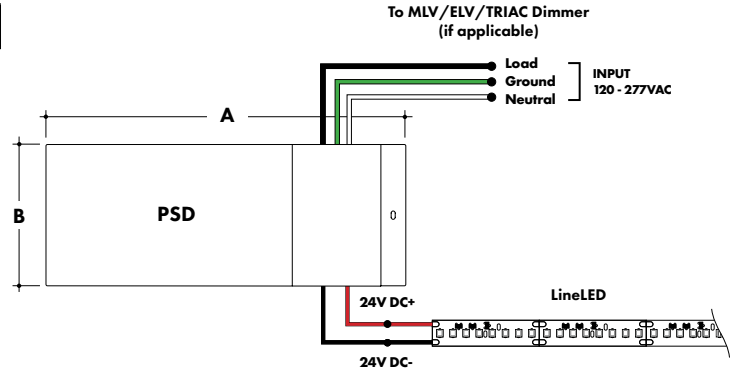
Power Supplies

See Power Supply instructions and spec sheet for wiring information. For a complete list of compatible dimmers, see Compatible Dimming Chart on the Resources page.

Magnetic Low Voltage Dimming Power Supplies

MODEL	POWER	OUTPUT	INPUT
PSD - PSD Series dims down to 0%	48 - 48 Watt 96 - 96 Watt 288 - 288 Watt (3 x 96Watt)	24 - 24 VDC	Blank - 120 V 240 - 240 V 277 - 277 V

MODELS	48W	96W	288W
A Length	11.25"	11.25"	13.06"
B Width	3.42"	3.42"	8.42"
Depth	3.42"	3.27"	4.47"

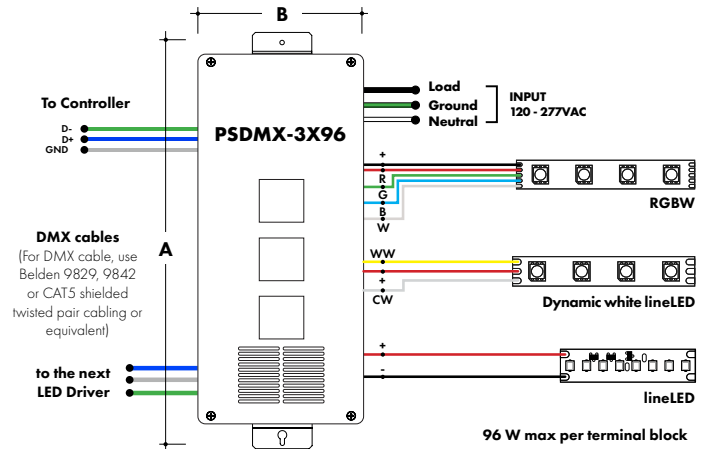
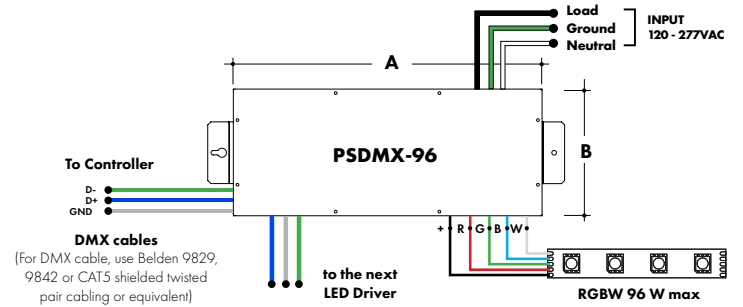


DMX Dimming Power Supplies 120VAC - 277VAC

MODEL	POWER	OUTPUT
PSDMX - DMX Power Supply dims down to 0%	96 - 96 Watt 3X96 - 3 X 96 Watt	24 - 24 VDC

Features eldoLED's LINEARdrive configurable dimmable drivers

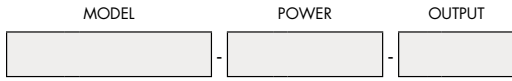
MODELS	96W	3X96
A Length	14.40"	15.75"
B Width	5.20"	6.62"
Depth	2.60"	4.95"



Power Supplies

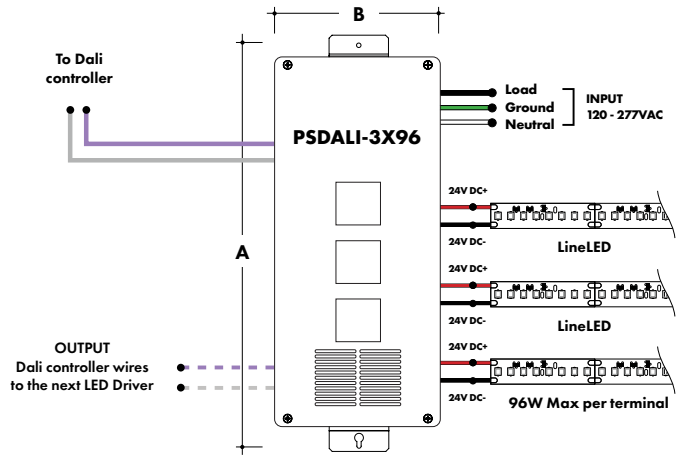
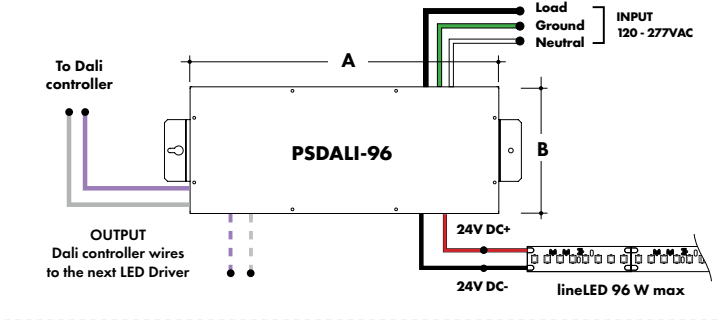
See Power Supply instructions and spec sheet for wiring information. For a complete list of compatible dimmers, see Compatible Dimming Chart on the Resources page.

DALI 0% Dimming Power Supplies 120VAC - 277VAC

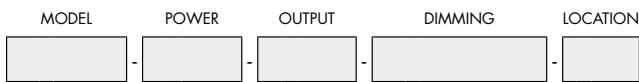


Features eldoLED's LINEARdrive configurable dimmable drivers

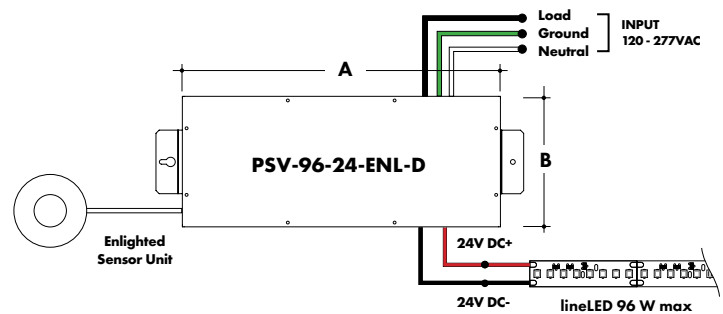
MODELS	96W	3X96
A Length	14.40"	15.75"
B Width	5.20"	6.62"
Depth	2.60"	4.95"



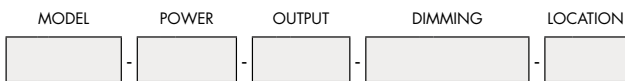
Enlighted Enabled Dimming Power Supplies 120VAC - 277VAC



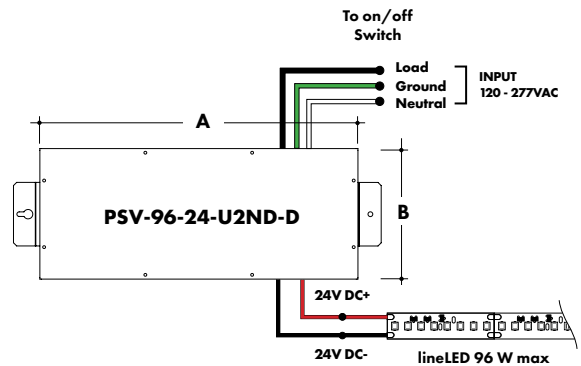
MODELS	96W
A Length	14.40"
B Width	5.20"
Depth	2.60"



Non-Dimming Power Supply 120VAC - 277VAC



MODELS	96W
A Length	14.40"
B Width	5.20"
Depth	2.60"



Power Supplies

See Power Supply instructions and spec sheet for wiring information. For a complete list of compatible dimmers, see Compatible Dimming Chart on the Resources page.



Luminii is a Lutron OEM Advantage Partner

Lutron Power Supplies 1%

MODEL

LTEA4U1UKL-CV240

Lutron - HiLume™ 1% 2-wire LED Driver
40W max

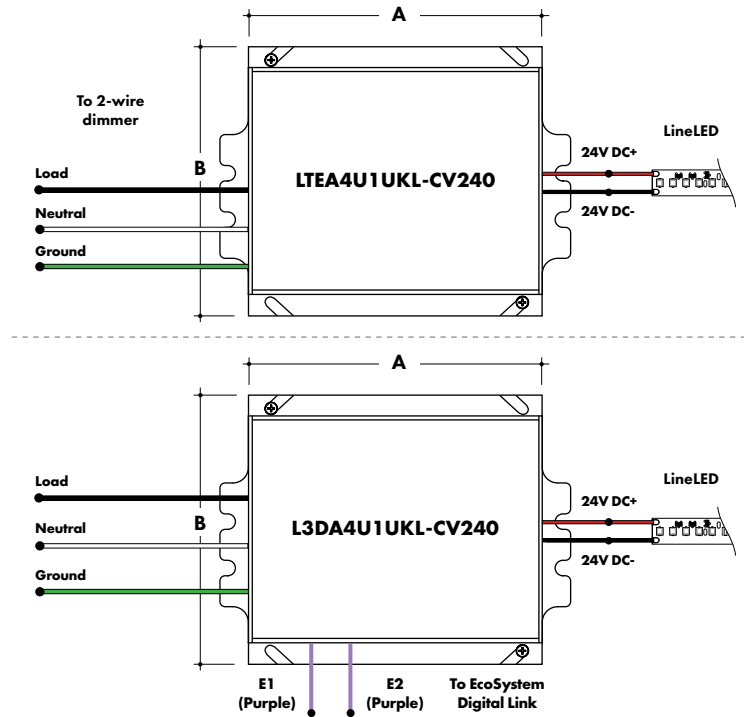
MODEL

L3DA4U1UKL-CV240

HiLume™ 1% EcoSystem Voltage LED driver
40W max

(120V forward phase only)

MODELS	LTEA4U1UKL-CV240	L3DA4U1UKL-CV240
A Length	4.89"	4.98"
B Width	4.00"	4.00"
Depth	2.62"	2.62"



Luminii is a Lutron OEM Advantage Partner

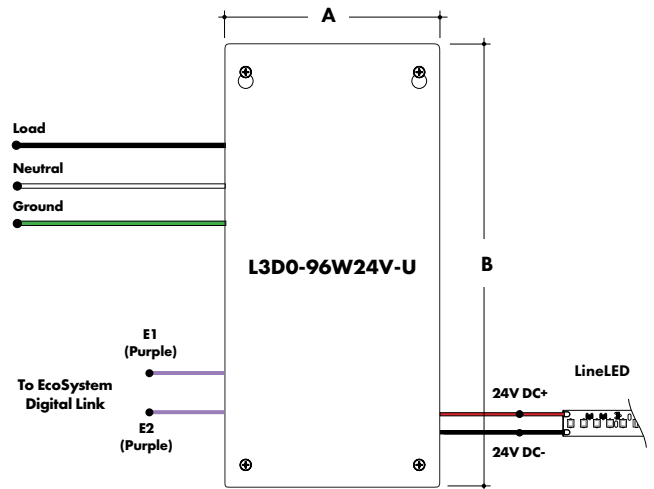
Lutron Power Supplies 0.1%

MODEL

L3D0-96W24V-U

HiLume™ 0.1% EcoSystem Voltage LED Driver with Soft-On, Fade-to-Black™
96W max

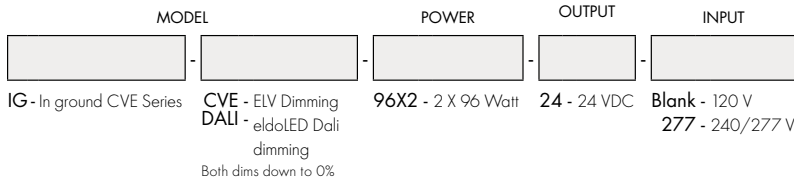
MODELS	L3D0
A Length	10.50"
B Width	5.50"
Depth	2.00"



Power Supplies

See Power Supply instructions and spec sheet for wiring information. For a complete list of compatible dimmers, see [Compatible Dimming Chart](#) on the Resources page.

In-Ground Power Supplies



MODELS	Dual Circuit
A Length	8.40"
B Width	8.30"
Depth	8.10"

