

# Installation Instructions for Kendo 45M

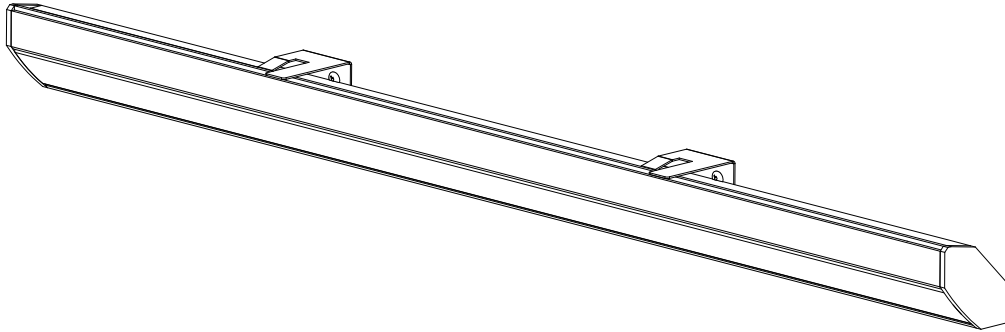
Models K45M-XX



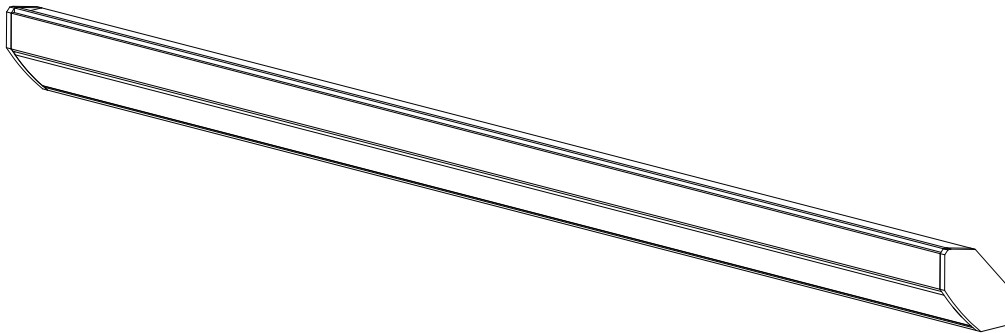
**luminii**

7777 Merrimac Ave  
Niles, IL 60714  
T 224.333.6033  
F 224.757.7557  
info@luminii.com  
www.luminii.com

Page 1 of 4



Kendo 45M with fixed clip mounting



Kendo 45M with no clip mounting

## **Instruction page index:**

Mounting installation	2 - 3
Connect to Power	3
Power feed layout guide	4

# Kendo 45M - Installation Instructions

## Models K45M-



**luminii**

7777 Merrimac Ave  
Niles, IL 60714  
T 224.333.6033  
F 224.757.7557  
info@luminii.com  
www.luminii.com

**Please read all instructions prior to installation and keep for future reference!**

- |  |  |
|--|--|
| 1. PRODUCT TO BE INSTALLED BY A QUALIFIED ELECTRICIAN. | 5. SURFACE MOUNT ONLY  |
| 2. USE ONLY WITH CLASS 2 POWER UNIT                    | 6. SUITABLE FOR INSTALLATION WITHIN THE CLOSET STORAGE SPACE |
| 3. 24 VOLTS DC   | 7. TYPE IC   |
| 4. SUITABLE FOR DAMP LOCATIONS                         | 8. INHERENTLY PROTECTED                                      |

### 1

**1.1** The fixture can be installed with or without mounting clips. See steps 2 and 3 for each variation. The fixture profile makes it easy to position the fixture in many different orientations.

### 2

#### - Mounting without clips

**NOTE:** If necessary make any pass through holes for wire lead/connector to the surface, depending on the power feed option. Reference step 4 for details.

**2.1** Use the body of the fixture to mark the mounting position on the surface and then apply construction adhesive along markings. Follow the recommendations of adhesive manufacturer for application and drying time. Then secure the fixture while applying pressure.

### 3

#### - Mounting with mounting fixed clips

**NOTE:** If necessary make any pass through holes for wire lead/connector to the surface, depending on the power feed option. Reference step 4 for details.

**3.1** Determine the location of where the fixture(s) will be installed. Lay the fixture(s) on the surface, and make any necessary reference marks for the fixed mounting clips. Make marks 4" from each end of the fixture(s) and also every 30" in between.

**3.2** Lay the fixed clip onto the reference mark points and secure using the provided hardware.

**3.3** Snap the fixture into the fixed mounting clip to secure in place.

**3.4** To remove the fixture from the fixed clips, insert a flat screw driver into the tab on fixed clip. Then carefully rotate screwdriver until fixture pops out.

# Kendo 45M - Installation Instructions

## Models K45M-

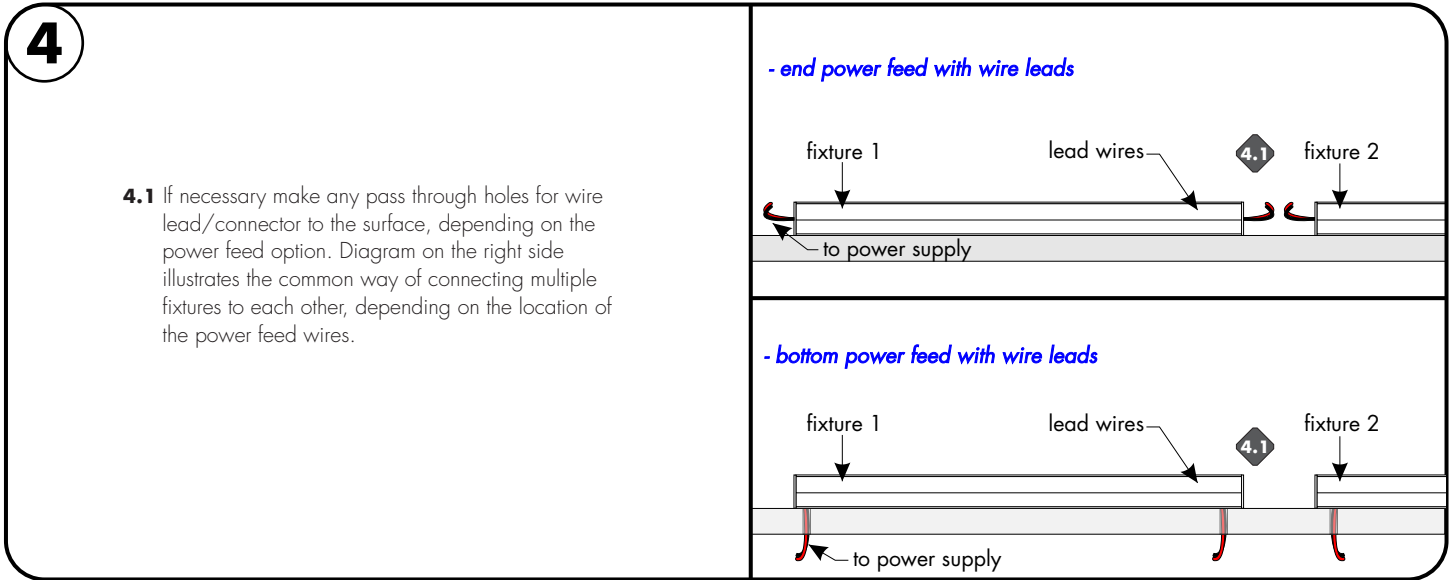


7777 Merrimac Ave  
Niles, IL 60714  
T 224.333.6033  
F 224.757.7557  
info@luminii.com  
www.luminii.com

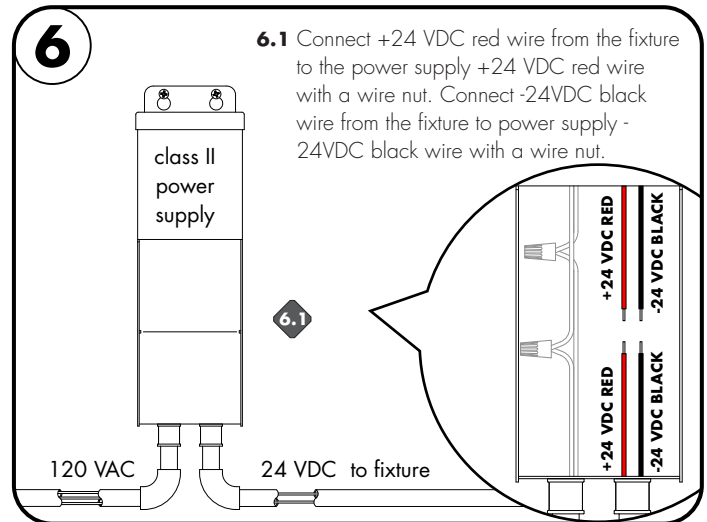
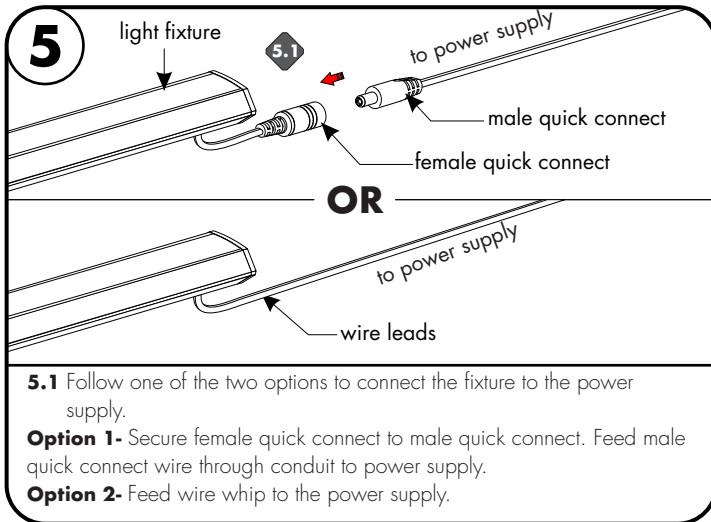


**Please read all instructions prior to installation and keep for future reference!**

- |  |  |
|--|--|
| 1. PRODUCT TO BE INSTALLED BY A QUALIFIED ELECTRICIAN. | 5. SURFACE MOUNT ONLY  |
| 2. USE ONLY WITH CLASS 2 POWER UNIT                    | 6. SUITABLE FOR INSTALLATION WITHIN THE CLOSET STORAGE SPACE |
| 3. 24 VOLTS DC   | 7. TYPE IC   |
| 4. SUITABLE FOR DAMP LOCATIONS                         | 8. INHERENTLY PROTECTED                                      |



### Connect to Power



# Kendo 45M - Installation Instructions

## Models K45M-



**luminii**

7777 Merrimac Ave  
Niles, IL 60714  
T 224.333.6033  
F 224.757.7557  
info@luminii.com  
www.luminii.com

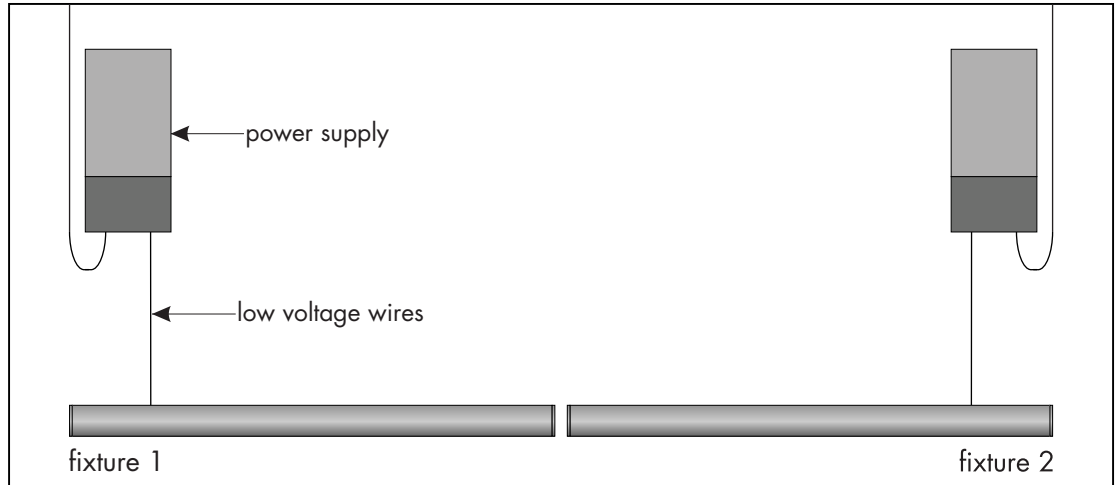
**Please read all instructions prior to installation and keep for future reference!**

1. PRODUCT TO BE INSTALLED BY A QUALIFIED ELECTRICIAN.
2. USE ONLY WITH CLASS 2 POWER UNIT
3. 24 VOLTS DC
4. SUITABLE FOR DAMP LOCATIONS
5. SURFACE MOUNT ONLY
6. SUITABLE FOR INSTALLATION WITHIN THE CLOSET STORAGE SPACE
7. TYPE IC
8. INHERENTLY PROTECTED

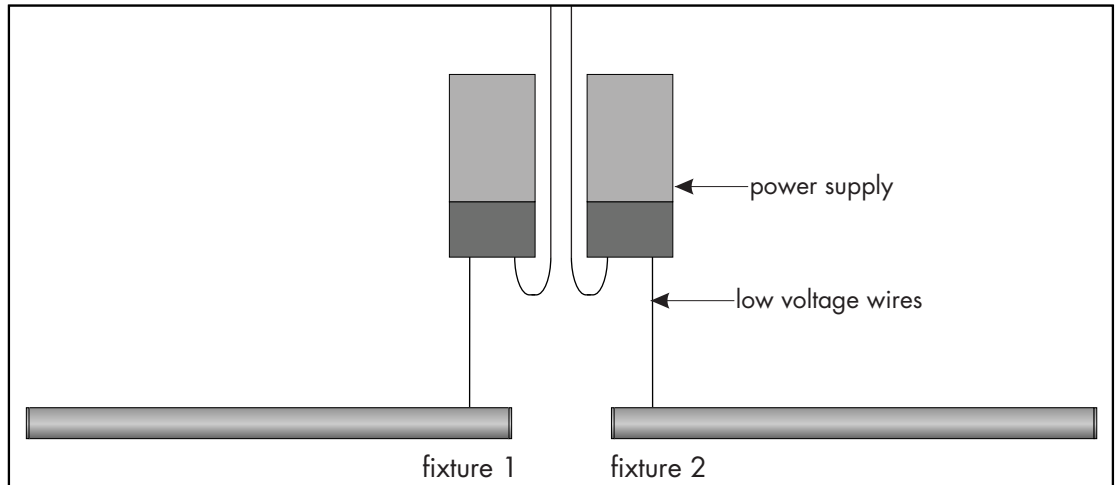
Page 4 of 4

### Multiple powerfeed layouts

#### power supplies at the end of the run



#### power supplies in the middle of the run



#### consecutive layout, NOT RECOMMENDED

