



**Features**

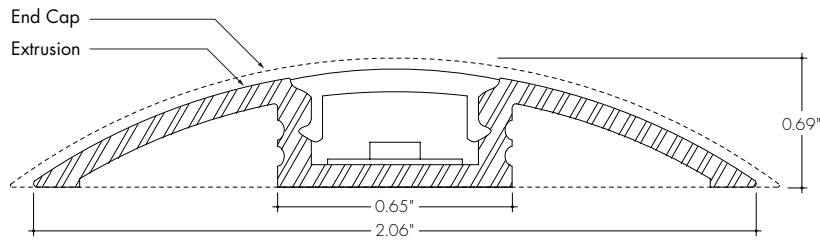
Extruded aluminum linear illumination system, Katana is available in sections up to 76" long. Specifically designed LED light engine provides constant illumination levels from the beginning to the end of the runs. The flat Katana profile can be used for general illumination, architectural reveals, under and above cabinet lighting, display cases and many other applications.

Available with 72" lead wires or quick-connect end feed. Class 2 listed for damp location. Approved for closet/storage space installation per NEC 410.16(A)(3) and 410.16(C)(5). 5 year warranty.

**Finish Options**

- Silver anodized
- Black powder coated
- Bronze powder coated

**Product Dimensions**



IC RATED

**Technical Information**

OUTPUT OPTIONS		
Output Type	HO (LL54)	VHO (LL72)
<b>Light output (3000K)</b> <i>Clear Lens</i>	319 lm/ft	390 lm/ft
<b>Average power consumption at 4'</b>	5.2 W/ft	6.5 W/ft
<b>Maximum system length</b> <i>Achievable via feed through fixture wiring</i>	26'	18'
<b>Operating voltage</b>	24VDC	24VDC

CCT INFO/LUMEN MULTIPLIER		TM-30-15		
Color Temperature	Multiplier (reference - 3000K)	CRI	R <sub>f</sub>	R <sub>g</sub>
1900K	0.63	96	94	97
2200K	0.68	96	95	101
2400K	0.72	98	97	101
2700K	0.76	97	96	101
2900K	0.82	98	96	102
3000K	1.00	97	95	104
3500K	1.05	97	94	105
4100K	1.37	97	90	99

RoHS

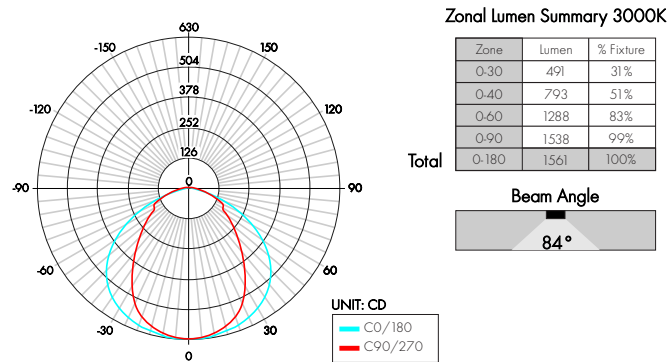


**Ordering Code**

MODEL	LENGTH	CCT	OUTPUT	LENS	MOUNTING	FINISH	POWER FEED
<b>KAT</b>	<b>12</b>	<b>19K</b>	<b>HO</b>	<b>C</b>	<b>F</b>	<b>SA</b>	<b>F1</b>
KAT - Katana	12" - 76" 4" increments	19K - 1900K 22K - 2200K 24K - 2400K 27K - 2700K 29K - 2900K 30K - 3000K 35K - 3500K	HO - High VHO - Very High	C - Clear HF - Half Frosted F - Frosted	F - Fixed Mounting End Caps	SA - Silver BK - Black BZ - Bronze  (BK & BZ, finishes will have an upcharge and require longer lead times)	F1 - 72" Lead wires FIX2 - 72" wire lead at both ends F2 - 72" Lead wires at one end and quick connect at other F3 - Single quick connect F4 - Dual quick connect

Photometry

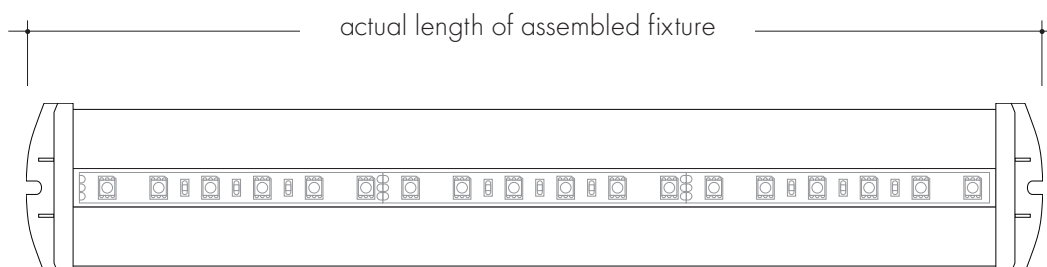
KAT-48-30K-VHO-C:XX



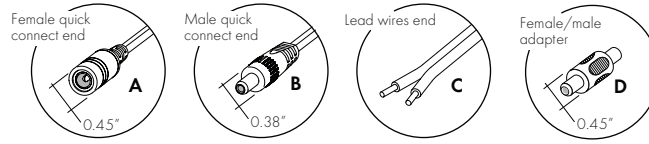
Power Consumption Per Fixture Length

Based on Operation with PSD Series of Power Supplies

Nominal Length	Actual Length	HO		VHO		
		W/ft	Total wattage	Actual Length	W/ft	Total wattage
12"	13-13/16"	5.35	5.30	13-13/16"	6.75	6.75
16"	17-12/16"	5.33	7.06	17-11/16"	6.75	9.00
20"	21-12/16"	5.31	8.82	21-11/16"	6.75	11.25
24"	25-11/16"	5.30	10.60	25-10/16"	6.75	13.50
28"	29-9/16"	5.28	12.33	29-9/16"	6.75	16.75
32"	33-9/16"	5.26	14.06	33-8/16"	6.75	19.00
36"	37-8/16"	5.25	15.80	37-7/16"	6.65	19.95
40"	41-7/16"	5.23	17.40	42-6/16"	6.65	22.20
44"	45-6/16"	5.21	19.00	46-5/16"	6.65	24.40
48"	49-5/16"	5.20	20.60	50-4/16"	6.55	26.20
52"	54-9/16"	5.18	22.40	54-3/16"	6.55	28.50
56"	58-8/16"	5.16	24.20	58-2/16"	6.55	30.50
60"	62-7/16"	5.15	26.00	62-1/16"	6.45	32.25
64"	66-6/16"	5.13	27.60	66 "	6.45	34.40
68"	70-5/16"	5.11	29.20	69-15/16"	6.45	36.55
72"	74-4/16"	5.10	30.80	73-14/16"	6.40	38.40
76"	78-3/16"	5.08	32.40	77-13/16"	6.40	40.50

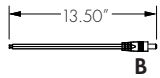


Connectors

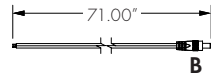


Linking and extension cable options

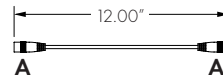
Male quick-connect  
Part # LMC



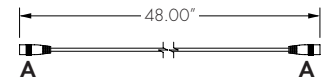
Male quick-connect long  
Part # LMC-70



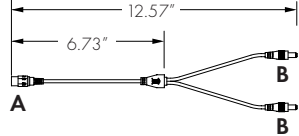
12" extension cable  
Part # EC-12



48" extension cable  
Part # EC-48



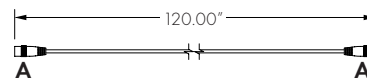
Y-splitter  
Part # LYC



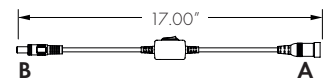
Female/male adaptor  
Part # FMA



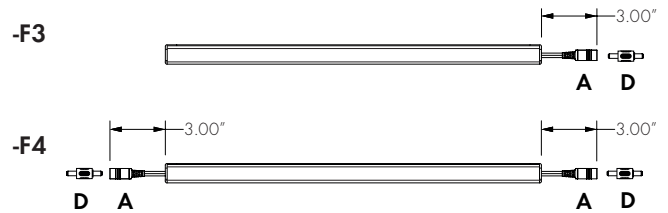
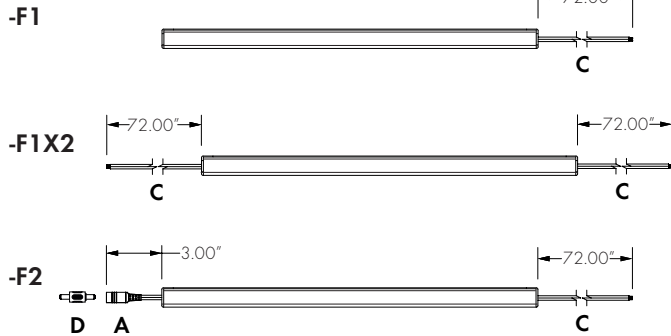
120" extension cable  
Part # EC-120



Inline DC switch  
Part # IS-DC



Powerfeed options



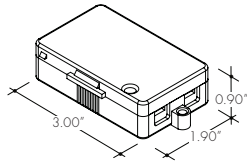
-F3 and -F4 powerfeed options require #LMC to connect to PSD series of power supplies.

**Accessories**

**Splice Box**

LVSP-4T-BK

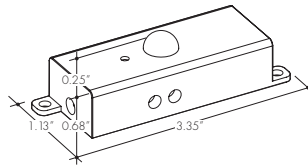
Low voltage, 4 terminal splice box, black



**PIR Infrared Occupancy Sensor**

OS-DC-F4-BK

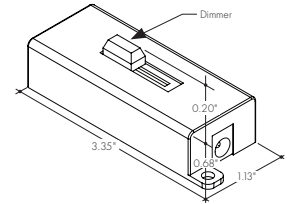
OS-DC-F4-BK - Occupancy Sensor



**24VDC Low Voltage In-Line Dimmer Module**

DIM-DC-F4-BK

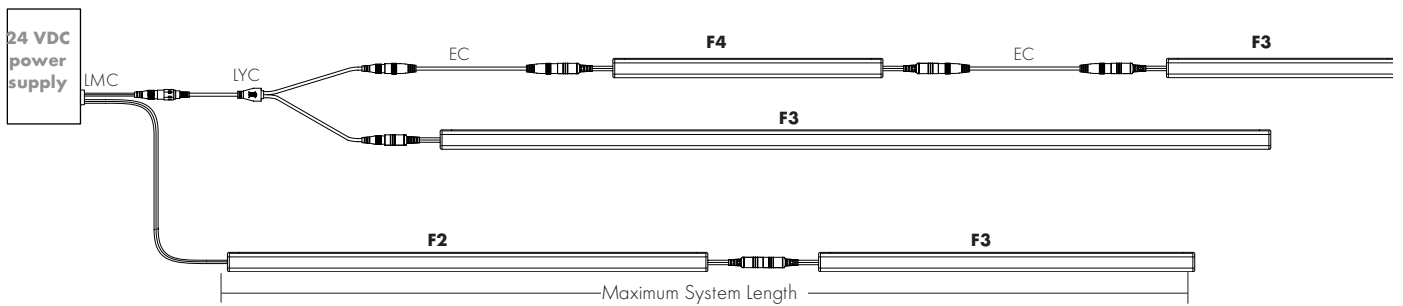
DIM-DC-F4-BK - 24VDC Low Voltage In-Line Dimmer Module



Note: a Male quick connector for input and output is required.

Note: a Male quick connector for input and output is required.

**Sample layout of powerfeed connections**



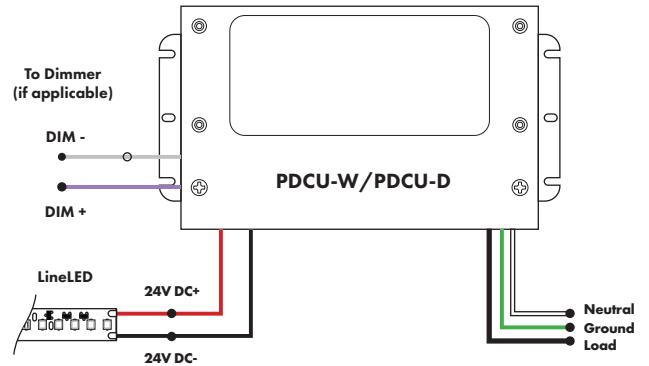
### Power Supply

See fixture and power supply instructions & spec sheet for wiring information. Dimming possible in select models - view Luminii website for list of compatible dimmers.

#### Universal Power Supply

MODEL	POWER	OUTPUT
<b>PDCU-W</b>	<b>96</b>	<b>24</b>
PDCU-W - IP66 Wet Series	96 - 96 W 3X96 - 3X96 W	24 - 24 VDC
PDCU-D - IP20 Dry Series	30 - 30 W 60 - 60 W 96 - 96 W 3X96 - 3X96 W	

0-10V - 1% dimming  
MLV/ELV/TRIAC - 1% dimming, consult dimming compatibility chart  
Compatibility:  
View a complete list of compatible dimmers on product page ([Link](#))

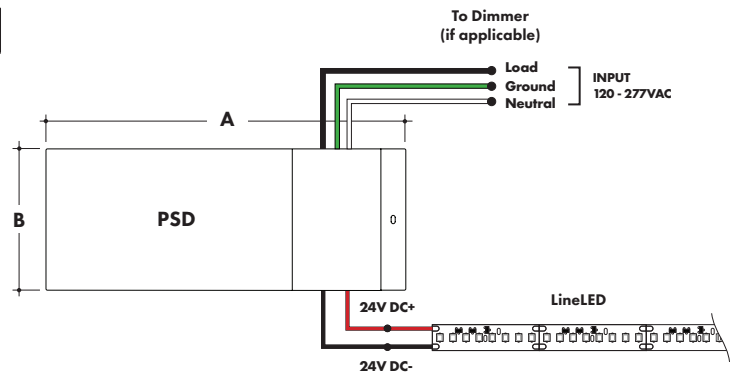


MODELS	PDCU-W 96W	PDCU-W 3X96W	PDCU-D 30W	PDCU-D 60W	PDCU-D 96W	PDCU-D 3X96W
<b>A Length</b>	8.66"	11.85"	6.10"	7.93"	8.25"	9.57"
<b>B Width</b>	3.73"	4.32"	3.35"	3.35"	4.10"	5.94"
<b>Depth</b>	1.61"	1.81"	1.33"	1.32"	1.56"	1.13"

#### Magnetic Low Voltage Dimming Power Supplies

MODEL	POWER	OUTPUT	INPUT
<b>PSD</b>	<b>48</b>	<b>24</b>	
PSD - PSD Series dims down to 0%	48 - 48 Watt 96 - 96 Watt 288 - 288 Watt (3 x 96Watt)	24 - 24 VDC	Blank - 120 V 240 - 240 V 277 - 277 V

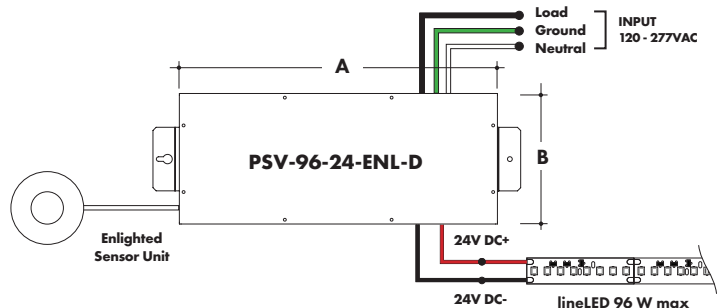
MODELS	48W	96W	288W
<b>A Length</b>	11.25"	11.25"	13.06"
<b>B Width</b>	3.42"	3.42"	8.42"
<b>Depth</b>	3.42"	3.27"	4.47"



#### Enlighted Enabled Dimming Power Supplies:

MODEL	POWER	OUTPUT	DIMMING	LOCATION
<b>PSV</b>	<b>96</b>	<b>24</b>	<b>ENL</b>	<b>D</b>
PSV - PSV Series	96 - 96 Watt	24 - 24 VDC	ENL - Enlighted Dimming	D - Damp

MODELS	96W
<b>A Length</b>	14.40"
<b>B Width</b>	5.20"
<b>Depth</b>	2.60"



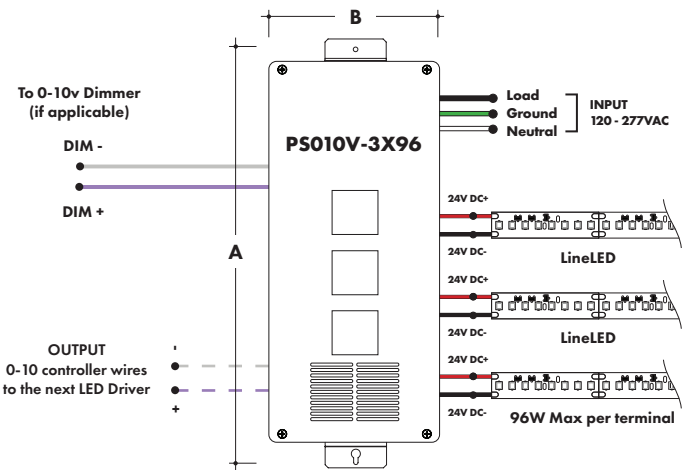
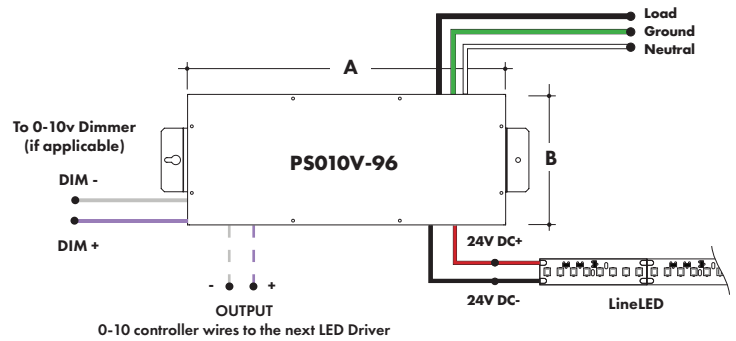
### Power Supply

See fixture and power supply instructions & spec sheet for wiring information. Dimming possible in select models - view Luminii website for list of compatible dimmers.

#### 0-10V Dimming Power Supplies

MODEL	POWER	OUTPUT	DIMMING
<b>PS010V</b>	<b>96</b>	<b>24</b>	<b>LIN</b>
PS010V - 0-10V Power Supply dims down to 0%	96 - 96 Watt 3X96 - 3 X 96 Watt	24 - 24 VDC	LIN - Linear LOG - Logarithmic

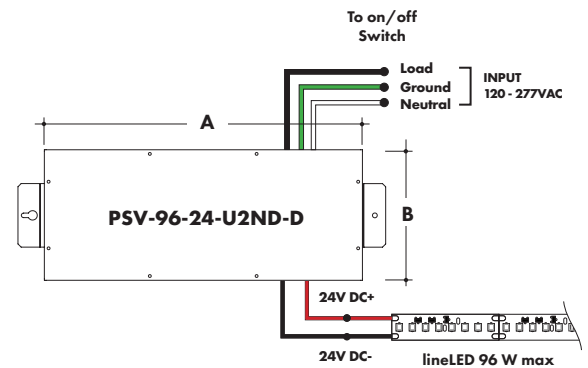
MODELS	96W	3X96
<b>A Length</b>	14.40"	15.75"
<b>B Width</b>	5.20"	6.62"
<b>Depth</b>	2.60"	4.95"



#### Non-Dimming Power Supply

MODEL	POWER	OUTPUT	DIMMING	LOCATION
<b>PSV</b>	<b>96</b>	<b>24</b>	<b>U2ND</b>	<b>D</b>
PSV - PSV Series	96 - 96 Watt	24 - 24 VDC	U2ND - Non Dimming	D - Damp

MODELS	96W
<b>A Length</b>	14.40"
<b>B Width</b>	5.20"
<b>Depth</b>	2.60"



## Power Supply

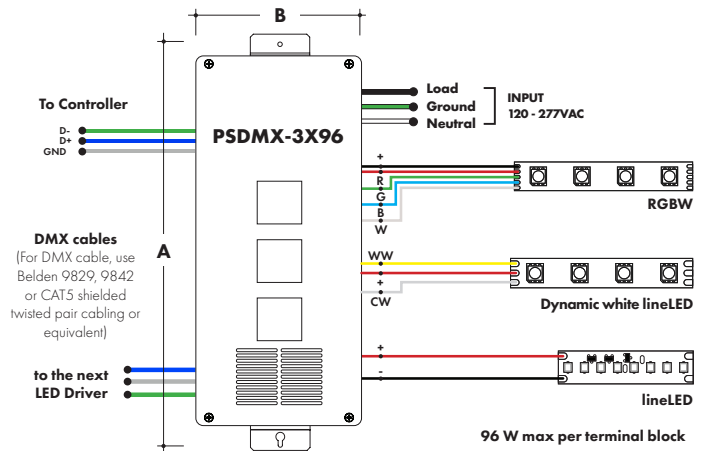
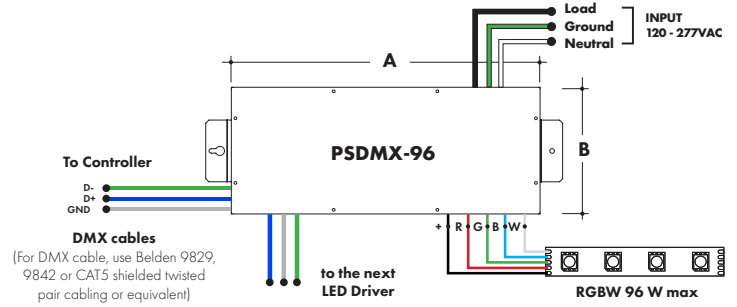
See fixture and power supply instructions & spec sheet for wiring information. Dimming possible in select models - view Luminii website for list of compatible dimmers.

### DMX Dimming Power Supplies

MODEL	POWER	OUTPUT
<b>PSDMX</b>	<b>96</b>	<b>24</b>
PSDMX - DMX Power Supply	96 - 96 Watt 3X96 - 3 X 96 Watt	24 - 24 VDC

Features eldoLED's LINEARdrive configurable dimmable drivers

MODELS	96W	3X96
<b>A Length</b>	14.40"	15.75"
<b>B Width</b>	5.20"	6.62"
<b>Depth</b>	2.60"	4.95"

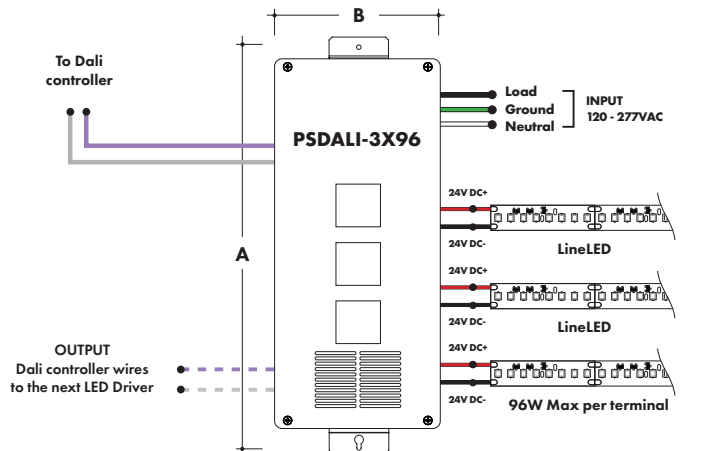
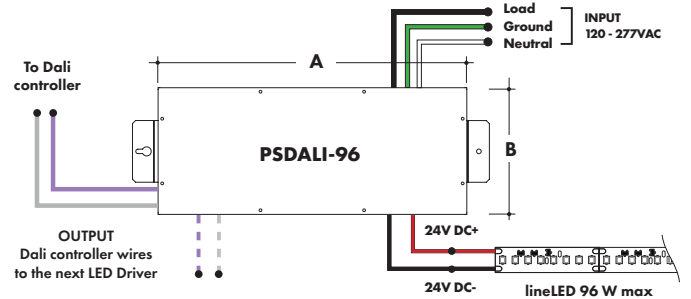


### DALI Dimming Power Supplies

MODEL	POWER	OUTPUT
<b>PSDALI</b>	<b>96</b>	<b>24</b>
PSDALI - DALI Power Supply	96 - 96 Watt 3X96 - 3 X 96 Watt	24 - 24 VDC

dims down to 0%  
Features eldoLED's LINEARdrive configurable dimmable drivers

MODELS	96W	3X96
<b>A Length</b>	14.40"	15.75"
<b>B Width</b>	5.20"	6.62"
<b>Depth</b>	2.60"	4.95"



### Power Supply

See fixture and power supply instructions & spec sheet for wiring information. Dimming possible in select models - view Luminii website for list of compatible dimmers.



Luminii is a Lutron OEM Advantage Partner

MODEL

**LTEA4U1UKL-CV240**

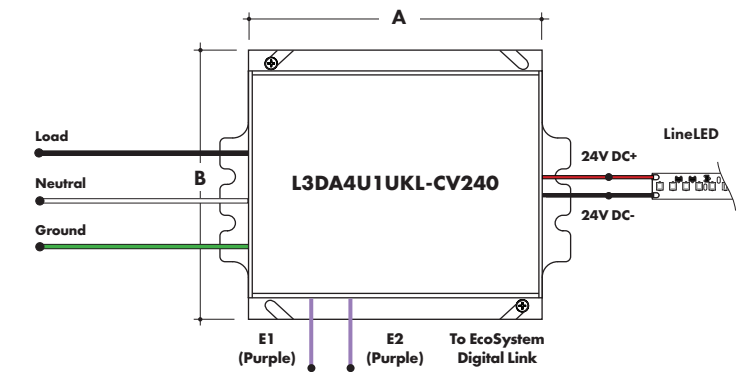
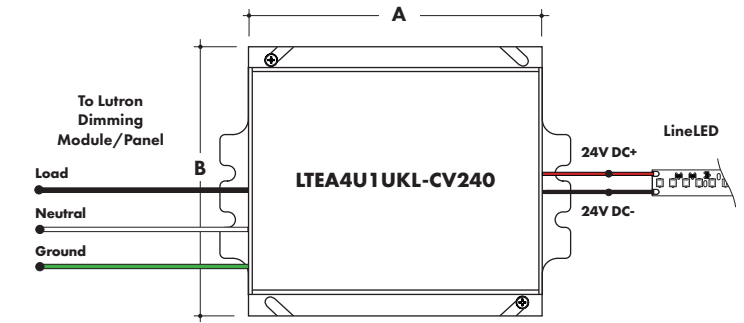
Lutron - HiLume™ 1% 2-wire LED Driver  
(120V forward phase only)

MODEL

**L3DA4U1UKL-CV240**

HiLume™ 1% EcoSystem Voltage LED driver

MODELS	LTEA4U1UKL-CV240	L3DA4U1UKL-CV240
<b>A Length</b>	4.89"	4.98"
<b>B Width</b>	4.00"	4.00"
<b>Depth</b>	2.62"	2.62"



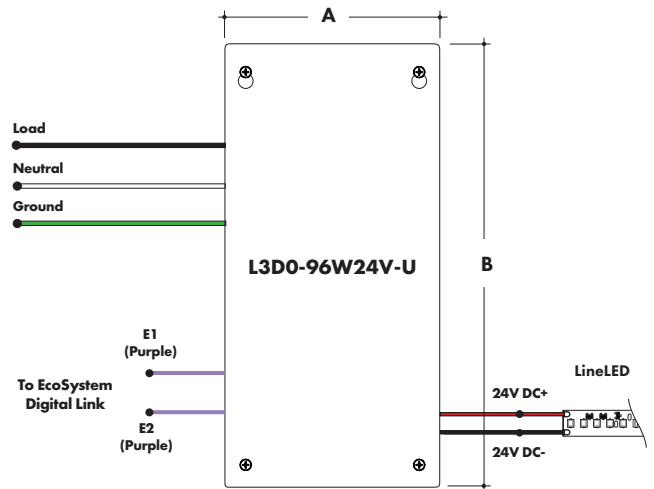
Luminii is a Lutron OEM Advantage Partner

MODEL

**L3D0-96W24V-U**

HiLume™ 0.1% EcoSystem Voltage LED Driver with Soft-On, Fade-to-Black™

MODELS	L3D0
<b>A Length</b>	10.50"
<b>B Width</b>	5.50"
<b>Depth</b>	2.00"





## Power Supply

See fixture and power supply instructions & spec sheet for wiring information. Dimming possible in select models - view Luminii website for list of compatible dimmers.

### In ground, Electronic Low Voltage Dimming Power Supplies

MODEL	POWER	OUTPUT	INPUT
<b>IG</b> - CVE	<b>96X2</b>	<b>24</b>	Blank - 120 V 277 - 240/277 V
IG - In ground CVE Series	96X2 - 2 X 96 Watt	24 - 24 VDC	
CVE - ELV Dimming DALI - eldoLED Dali dimming Both dims down to 0.1%			

MODELS	Dual Circuit
<b>A Length</b>	8.40"
<b>B Width</b>	8.30"
<b>Depth</b>	8.10"

