



The K45R Channel is a linear aluminum extrusion that has been designed to fit many LED lighting needs and specifically corner applications. Multiple configuration options allow for great flexibility in any installation. Substantial aluminum mass in profile provides excellent heat sink for high power LEDs. K45R Channel comes with multiple choices of diffuser lenses. Extrusion and lenses are field cuttable. Mounting bracket and end-caps can be ordered separately (page 2).

**Finish**

- Silver anodized
- White

**Mounting**

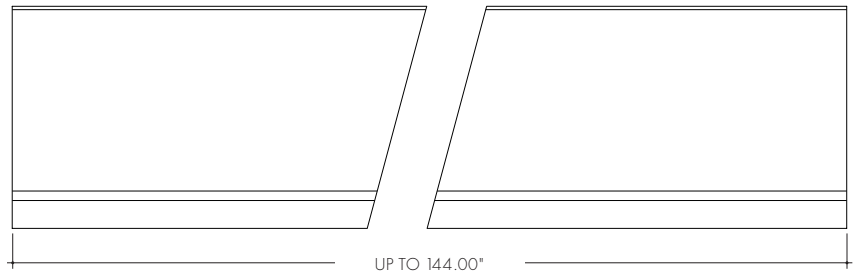
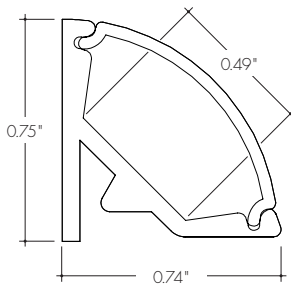
Mounting bracket

**Diffuser lens**

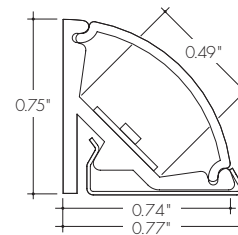
- Polycarbonate
- Snap-in-place
- UV resistant



## Product dimensions



Lens Options	
Actual Length	48", 72", 96", & 144"
Available Lens	• Frosted



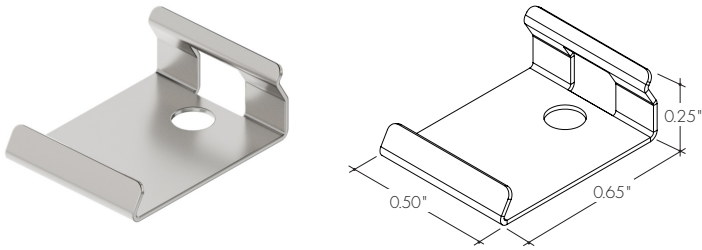
Frosted Lens

## Ordering code

MODEL	LENGTH	LENS	FINISH
<b>K45RC</b>	<b>48</b>	<b>F</b>	<b>SA</b>
K45RC - K45R Channel	48 - 48" 72 - 72" 96 - 96" 144 - 144"	F - Frosted	SA - Silver anodized WH - White

All accessories sold separately.

**Mounting Bracket**

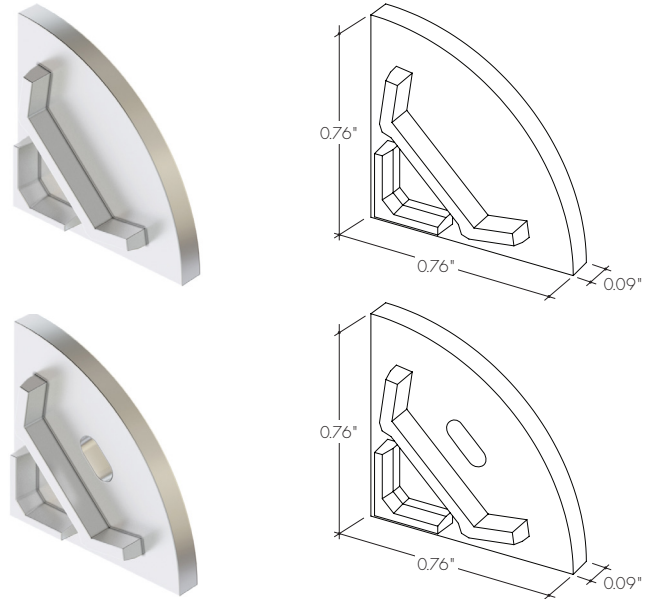


ORDERING CODE

**MB-K45RC-SS**

**MB-K45RC-SS** - Stainles steel screw-in mounting bracket

**End Caps**



ORDERING CODE

<b>EC</b>	-	<b>K45RC</b>	-	<b>H3</b>	-	<b>SA</b>
<b>EC-K45RC</b> - K45R Channel End Cap		<b>H3</b> - w/o hole <b>H4</b> - w/hole		<b>SA</b> - Silver Anodized <b>WH</b> - White		

