



Enclosure made of stainless steel with seamless rubber sealed cover. Liquid tight conduit connectors are provided.

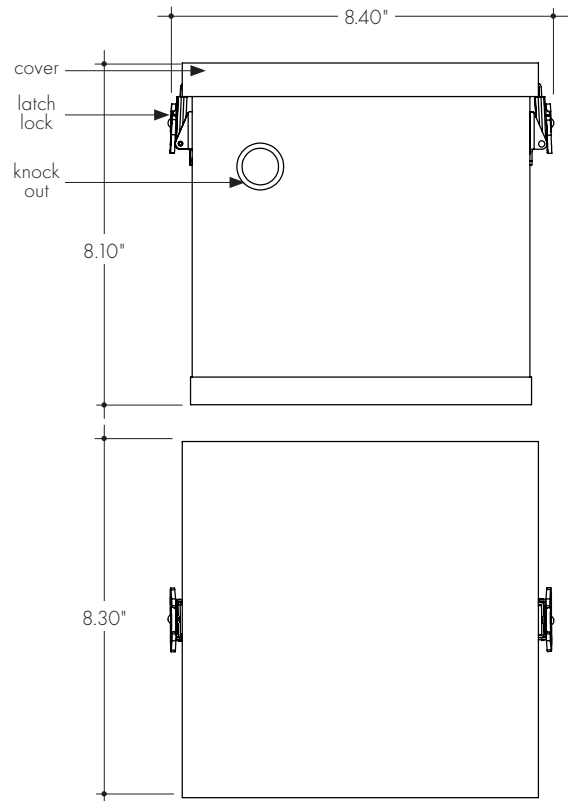
- **Input voltage**
120, 240, or 277VAC
- **Output voltage**
24VDC
- **Safety**
UL8750
- **Dimming**
• ELV reverse or adaptive phase
- **Warranty**
5 years
- **Weight**
14.2 lbs



Technical Information

		Per 96W models
Input	Voltage / Frequency	120VAC, 60Hz 240VAC, 50/60Hz 277VAC, 50/60Hz
	AC Current	0.88A @ 120VAC 0.44A @ 240VAC 0.44A @ 277VAC
	Inrush current (Typ.)	less than 1mA
Output	Efficiency (Typ.)	85%
	Output Amps	2x96W, 4.0A per circuit
Protection	Short Circuit	Output shut down, automatic restart
	Over Temperature	Output limiting internal NTC over temperature protection circuit
Environment	Working temp.	Nominal -20 to +50C ambient @ full load
	Ingress protection	IP68
Driver Safety	TL/HL 85/70C (UL8750) Output type CC isolated NEMA 4X in-ground box 3/4" liquid- tight flex fittings	
Weight	14.2 lbs	

Dimensions



Ordering Code

