

# In-Ground CVE 24V Class 2 dimming series - Installation Instructions

## Models IG-CVE-96X2-24



7777 N. Merrimac  
Ave Niles, IL 60714  
T 224.333.6033  
F 224.757.7557  
info@luminii.com  
www.luminii.com

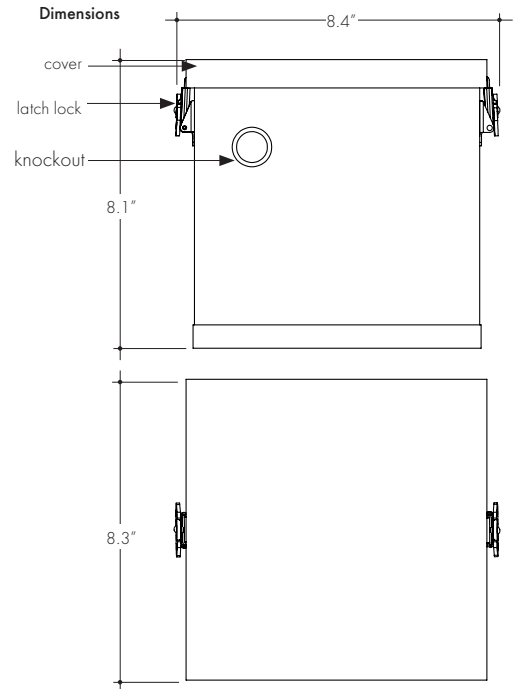
**Please read all instructions prior to installation and keep for future reference!**

This power supply is to be installed by a qualified electrician in accordance with the National Electrical Code (NEC) and local building codes. May be installed at ground level using watertight conduit and connectors. Power supply is well suited for LED at or below their maximum output rating per circuit.

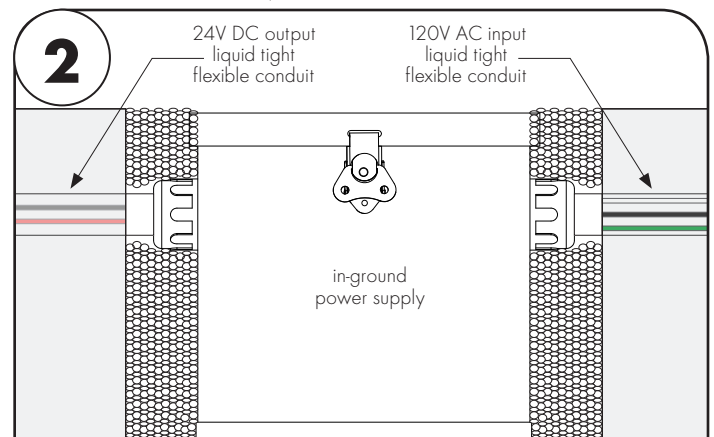
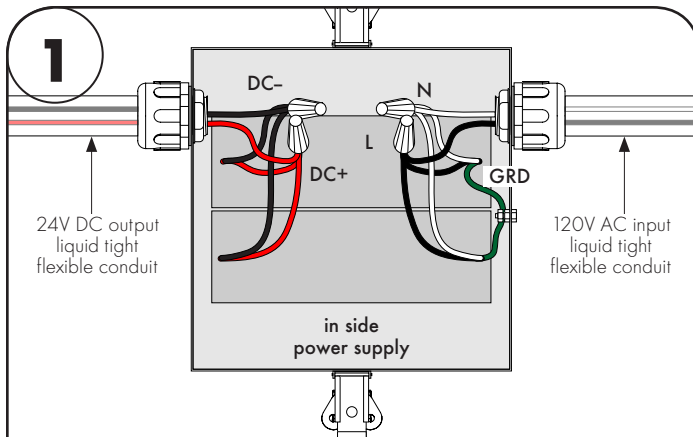


Page 1 of 2

<b>Input</b>	Voltage / Frequency	110 - 130VAC, 60Hz
	AC Current	0.88A @ 120VAC, or 96W, per Single circuit
	Inrush current (Typ.)	less than 1mA @ 120
<b>Output</b>	Efficiency (Typ.)	85%
	Output Amps	2x96W, 4.0A per circuit
<b>Protection</b>	Short Circuit	Output shut down, automatic restart
	Over Temperature	Output limiting internal NTC over temperature protection circuit
<b>Environment</b>	Working temp.	Nominal -20 to +50C ambient @ full load
	Ingress protection	IP68
<b>Driver Safety</b>	- TL/HL 85/70C (UL8750) Output type CC isolated - NEMA 4X in-ground box - 3/4" liquid-tight flex fittings	



\*Do not interconnect output circuits



**Before installing**, check the label and ensure the power supply has the proper input voltage, output voltage, and wattage for the job. Check the wire markings to ensure they match the wiring diagram below. Refer to table above for the maximum loads supported by each power supply.

- Strip wires #16 and smaller 7/16". Strip wires larger than #16 to 3/8".
- Align frayed strands or conductors.
- Do not pre-twist wires. Place stripped wire together. With ends even, extend stranded wire slightly. Insert wires together through sealant firmly into connector.
- Twist connector clockwise onto wires pushing firmly until tight. Do not over torque.

Install as shown, routing wiring through liquid tight conduit and conduit connectors. Once installed, care must be taken to ensure the enclosure remains watertight, keeping top cover seal free of debris. Secure cover by rotating both wing latches fully clockwise. There are two 3/4" conduit openings provided in the enclosure, shipped from the factory with seal-tight plugs installed. Any unused plugs must remain in place.

# In-Ground CVE 24V Class 2 dimming series - Installation Instructions

## Models IG-CVE-96X2-24



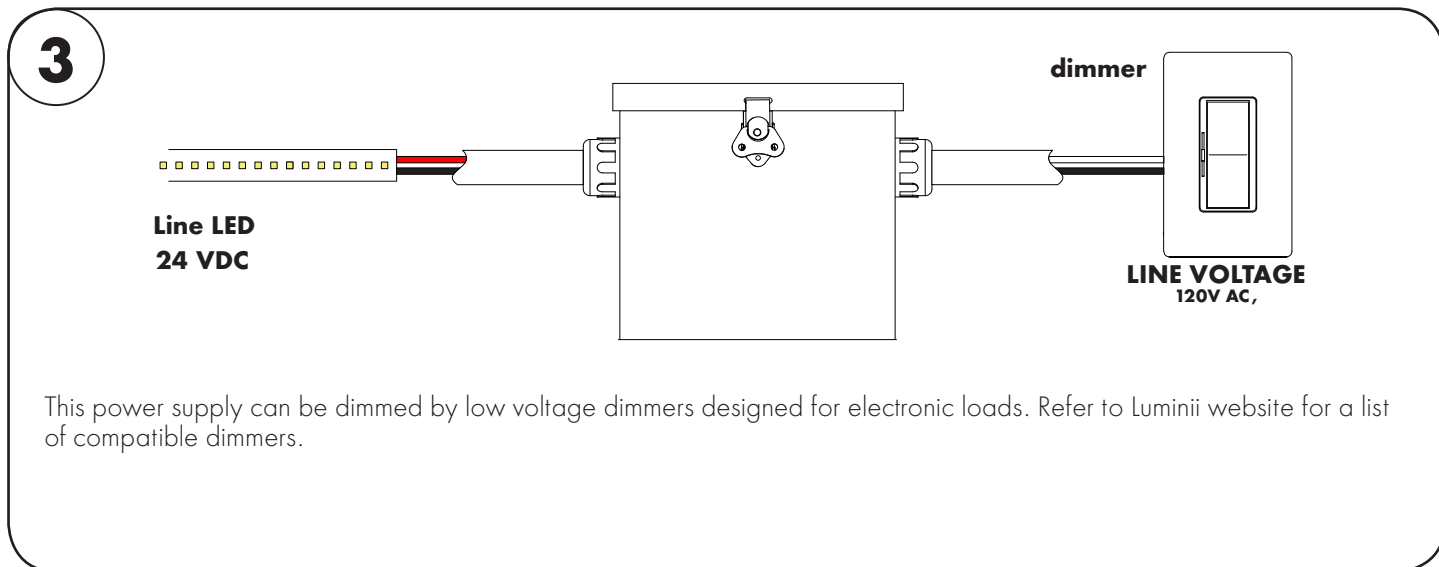
7777 N. Merrimac  
Ave Niles, IL 60714  
T 224.333.6033  
F 224.757.7557  
info@luminii.com  
www.luminii.com

**Please read all instructions prior to installation and keep for future reference!**

This power supply is to be installed by a qualified electrician in accordance with the National Electrical Code (NEC) and local building codes. May be installed at ground level using watertight conduit and connectors. Power supply is well suited for LED at or below their maximum output rating per circuit.



Page 2 of 2



## WIRING INSTRUCTIONS

**WARNING:** The transformers and power supplies specified here must be installed by a qualified electrician in accordance with the National Electrical Code (NEC) and local building codes. Failure to do so will void the warranty and may result in serious injury and/or permanent damage to the unit.

1. Refer to the product labeling for detailed line and load wiring procedure.
  - A. For connection, use No. 12-22 AWG Cu wires insulated for a minimum of 90C, rated for 600V. Tightening torque 7 in-lbs for output terminal block, if provided.
  - B. Use wire connectors suitable for the number and size conductors being connected and applied in accordance with the manufacturer's instructions.
  - C. Minimum 20 amp supply side branch circuit.
  - D. A disconnect device shall be located in the field wiring.

## IMPORTANT SAFETY INSTRUCTIONS

When using electrical products, basic precautions should be practiced including the following:

When using electrical products, basic precautions should be practiced including the following:

1. **READ AND FOLLOW ALL SAFETY INSTRUCTIONS**
2. Reference the National Code, ANSI/NFPA 70, specifically for the installation of wiring and clearances from power and lighting conductors.
3. Installation work and electrical wiring must be done by qualified person(s) in accordance with all applicable codes and standards, including fire-rated construction.
4. **WARNING:** Risk of Electric Shock. When used outdoors, install only on a circuit protected by Class A GFCI.
5. **WARNING:** Risk of fire. Installation involves special wiring methods to run wiring through a building structure. Consult a qualified electrician.

**SAVE THESE INSTRUCTIONS -This manual contains important safety and operating instructions for drivers.**