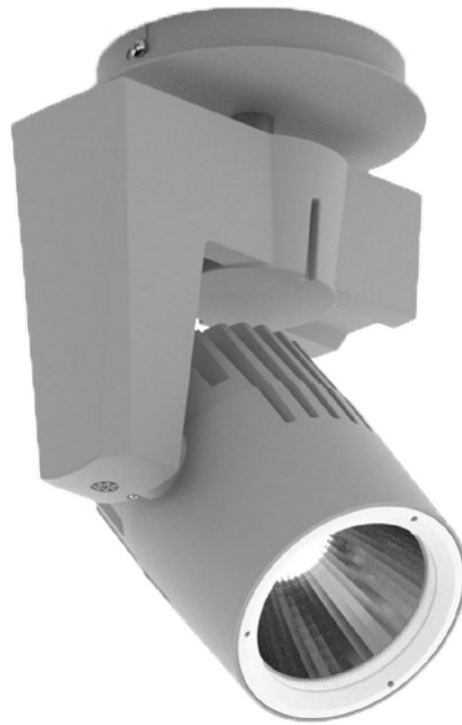


HELIOS¹

SURFACE MOUNT LED SPOTLIGHT



Helios 1 - Surface Mount Directional LED. Well-balanced, versatile and attractive is the simplest way to describe Senso Helios. With the variety of choices for accessories, technology and light sources the Helios is the perfect choice when stylish track options are required by your design.

Ordering Code

Fixture	857								
	1	2	3	4	5	6	7	8	9
Driver									
	1	2	3	4					

Product Specifications

SAMPLE: Fixture **857 - A90 - 618 - 30 - 30 - 00 - 02 - 01 - 01** | Driver **STD - 120 - A90 - 30**

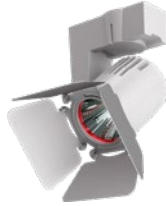
1 - Model	2 - LED	3 - Optic	4 - CCT	5 - Lumen	6 - Accessory	7 - Finish
857 · Helios 1 Surface Mount	A90 · Accuracy	618 · 18° 630 · 30° 645 · 45° 660 · 60°	25 · 2500K 27 · 2700K 30 · 3000K 35 · 3500K 40 · 4000K 65 · 6500K	07 · 700 (6.5W) 10 · 1000 (9.3W) 13 · 1300 (12.5W) 20 · 2000 (20.2W) 30 · 3000 (32.7W) 40 · 4000 (34.2W)	00 · No Accessory BD · Barndoor HO · Honeycomb* ¹	01 · White 02 · Black 08 · Silver XX · Custom
8 - Baffle Color	9 - Acrylic Ring	1 - Driver	Dim Level	2 - Voltage	3 - LED	4 - Lumen
01 · White 02 · Black 08 · Silver XX · Custom	<i>Standard</i> 01 · White 02 · Black 07 · Clear 09 · Bronze 10 · Frosted XX · None* ¹	STD · Non Dimming LCS · 0 - 10 Volt Protocol DIM · Phase* ²	N/A 1% 1%	120 · 120V 277 · 277V	Same as Fixture	Same as Fixture

*1 No acrylic ring with honeycomb
*2 120V only

Accessories

Barn-door

- Limits the glare and allows you to control the direction of the light beam
- Fixed to the front ring by bending tabs
- Flaps can be adjusted and lock in place

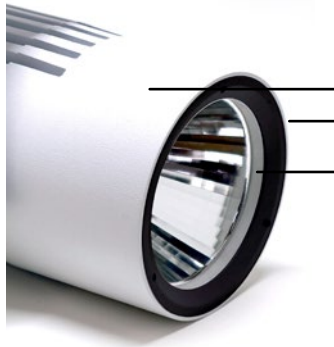


Honeycomb Mesh

- 95% open area with 45° cut-off
- Made from cold-rolled steel
- Black polymer coating with eggshell finish



Fixture, Baffle and Ring



Helios 1 has 3 components which can be configured in different colors.

- Fixture finish
- Baffle
- Acrylic ring

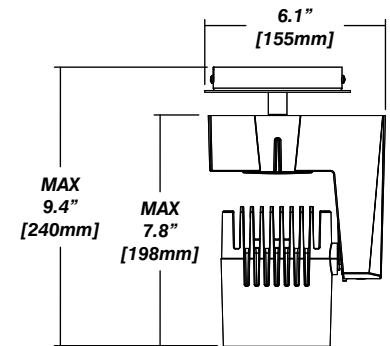
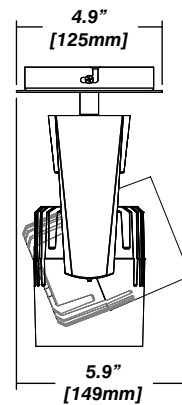
General

- 350° + rotation
- 0° to 130° tilt and lock
- Includes track adapter (Available in 2 circuits)
Contact us for track compatibility

Construction / Finish

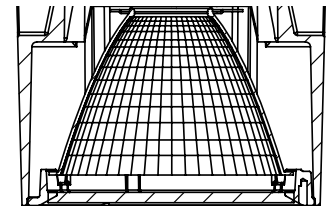
- Cast aluminum
- High quality satin powder coat finish in Senso specific colors
- Made in Canada
- Weight 1.3 kg [2.8 lbs]

Dimensions



Reflector

Senso metal spun faceted reflectors are specifically designed to retain as much light as possible. This results in a more power efficient fixture with a higher delivered lumen.



SENSO's in-house photometric testing ensures that our lighting design can match your needs precisely. Our Goniophotometer and testing lab produces on-demand photometry files based on any specified fixture, including LM-79 Test reports, IES Files, and CRI/CCT measurements. See SENSOlighting.com for more information.

**Full photometric Reports and IES files available for every configuration*

LED Module Performance

Output: Up to 150 lumen/Watt

Efficacy: Color consistency within a 3-MacAdam Ellipse

CCT: 2500K - 6500K

Color Rendering: 90+ CRI

Min. R Values: R⁹ - 60 R¹ - 90 R⁹ - 100

Driver and Power Consumption

Dimming: 1% dimming standard

Ripple: Industry leading Low ripple

Efficiency: Power Factor >0.9

Efficiency over 85%

Class 2 output for safety

Installation: Fixture Mounted

Lumen Option	700lm	1000lm	1500lm	2000lm	3000lm	4000lm
Fixture Wattage	6.5W	9.3W	12.5W	20.2W	32.7W	34.2W
Delivered Lumen	656lm	1035lm	1347lm	1917lm	2741lm	

Color Metrics

TM 30-15

Our clients deserve the best information possible about their lighting choices. That's why SENSO has invested in the Illuminating Engineering Society (IES) TM 30-15, a new system that measures an LED light source's color rendering properties. Using SENSO's state-of-the-art goniophotometer, this method identifies the optimal light source for your project and helps evaluate the trade-offs between efficacy and color rendering. SENSO can provide TM 30-15 data for all of our products.

**Full Color Metric Info Available at SENSOlighting.com*

Helios 1 Light Distribution

