



**Features**

F.O.T.™ IP67 is a collection of high performance precision optics distinguished by its industry leading size to efficacy ratio and ability to seamlessly interconnect. F.O.T.™ IP67 allows for surface mount solutions for beam control in wall washing, grazing, spot and asymmetric distributions for limitless design scenarios.

**Mounting**

FOT Flex strip is equipped with adhesive tape.

**Applications**

Outdoor / wet location, above cabinet, cove lighting, counter & architectural accents, under banisters, decks, gazebos, barbeque stations and wet bars.

**IP67 Rated**

Deemed fit enough to withstand dust, dirt and sand, and are resistant to submersion up to a maximum depth of 1 m depth for up to 30 mins.

**Operating Voltage**

24 VDC

**Life (L70)**

50,000 Hours

**Operating Temperature**

-20°C to 50°C

**Warranty**

3 years



IP67



**Technical Information**

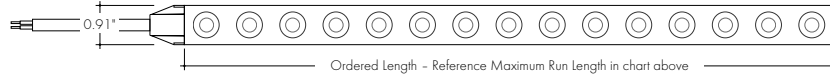
Model	Narrow		Asymmetric	
	SO	HO	SO	HO
Light Output (3000K)	415 lm/ft	625 lm/ft	310 lm/ft	557 lm/ft
Average Power Consumption (for a 4' section)	4.8 W/ft	5.8 W/ft	4.8 W/ft	5.2 W/ft
Efficacy	86 lm/W	106 lm/W	65 lm/W	108 lm/W
Ordering Increment (in)	6.5"		6.5"	8.5"
Max Run Length (in series)	20 ft	14 ft	20 ft	18 ft
Minimum Bending Radius	4.0"			

CCT	Multiplier (referenced from 3000K)	TM-30			
		CRI	R <sub>f</sub>	R <sub>g</sub>	R <sub>9</sub>
2700K	0.92	95	91	98	55
3000K	1.00	95	91	100	59
3500K	1.04	94	91	102	64
4000K	1.04	94	91	102	68

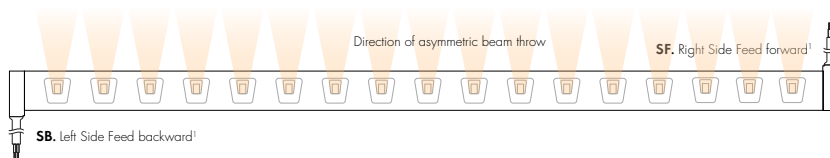
**Section Start/End Options**

**Feed Type**

**E.** End Feed



**N.** None (End Cap)



**Connector Options**

**L.** Lead Wires, 72"



**F.** Female Connector, 8" wire



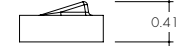
**M.** Male Connector, 8" wire



Symmetric Optic



Asymmetric Optic



**Ordering Code** - 6 weeks typical lead time for F.O.T. strip

MODEL	OPTICS	OUTPUT	CCT	LEFT SIDE	LEFT TYPE	LEFT CONNECTOR	RIGHT SIDE	RIGHT TYPE	RIGHT CONNECTOR	LENGTH (IN)
FOT - FOT FLEX	NA - Narrow AS - Asymmetric	SO - Standard HO - High	27K - 2700K 30K - 3000K 35K - 3500K 40K - 4000K	L	E - End feed SF <sup>1</sup> - Side feed forward SB <sup>1</sup> - Side feed backward N - None (end cap)	M - Male F - Female L - Lead wires N - No feed	R	E - End feed SF <sup>1</sup> - Side feed forward SB <sup>1</sup> - Side feed backward N - None (end cap)	M - Male F - Female L - Lead wires N - No feed	View table above for increment options and maximum run limits

<sup>1</sup>Side feeds are incompatible (too wide) with extrusions. Available for F.O.T. strip only.

**Length Table**

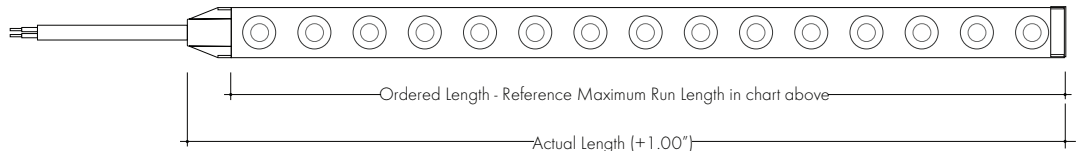
FOT - NA - SO			FOT - NA - HO			FOT - AS - SO			FOT - AS - HO		
Order Increment	Order Length (in)	Length with one feed (in)	Order Increment	Order Length (in)	Length with one feed (in)	Order Increment	Order Length (in)	Length with one feed (in)	Order Increment	Order Length (in)	Length with one feed (in)
1	6.5	7.5	1	6.5	7.5	1	6.5	7.5	1	8.5	9.5
2	13	14	2	13	14	2	13	14	2	17	18
3	19.5	20.5	3	19.5	20.5	3	19.5	20.5	3	25.5	26.5
4	26	27	4	26	27	4	26	27	4	34	35
5	32.5	33.5	5	32.5	33.5	5	32.5	33.5	5	42.5	43.5
6	39	40	6	39	40	6	39	40	6	51	52
7	45.5	46.5	7	45.5	46.5	7	45.5	46.5	7	59.5	60.5
8	52	53	8	52	53	8	52	53	8	68	69
9	58.5	59.5	9	58.5	59.5	9	58.5	59.5	9	76.5	77.5
10	65	66	10	65	66	10	65	66	10	85	86
11	71.5	72.5	11	71.5	72.5	11	71.5	72.5	11	93.5	94.5
12	78	79	12	78	79	12	78	79	12	102	103
13	84.5	85.5	13	84.5	85.5	13	84.5	85.5	13	110.5	111.5
14	91	92	14	91	92	14	91	92	14	119	120
15	97.5	98.5	15	97.5	98.5	15	97.5	98.5	15	127.5	128.5
16	104	105	16	104	105	16	104	105	16	136	137
17	110.5	111.5	17	110.5	111.5	17	110.5	111.5	17	144.5	145.5
18	117	118	18	117	118	18	117	118	18	153	154
19	123.5	124.5	19	123.5	124.5	19	123.5	124.5	19	161.5	162.5
20	130	131	20	130	131	20	130	131	20	170	171
21	136.5	137.5	21	136.5	137.5	21	136.5	137.5	21	178.5	179.5
22	143	144	22	143	144	22	143	144	22	187	188
23	149.5	150.5	23	149.5	150.5	23	149.5	150.5	23	195.5	196.5
24	156	157	24	156	157	24	156	157	24	204	205
25	162.5	163.5	25	162.5	163.5	25	162.5	163.5	25	212.5	213.5
26	169	170	26			26	169	170	26		
27	175.5	176.5	27			27	175.5	176.5	27		
28	182	183	28			28	182	183	28		
29	188.5	189.5	29			29	188.5	189.5	29		
30	195	196	30			30	195	196	30		
31	201.5	202.5	31			31	201.5	202.5	31		
32	208	209	32			32	208	209	32		
33	214.5	215.5	33			33	214.5	215.5	33		
34	221	222	34			34	221	222	34		
35	227.5	228.5	35			35	227.5	228.5	<b>tolerance +/- 0.25"</b>		
36	234	235	36			36	234	235			

**Must also take into consideration type of feed for actual length**

**Ordered Length** - Refers ONLY to LED strip length

**Actual Length** - Refers to strip length with one *end-feed*

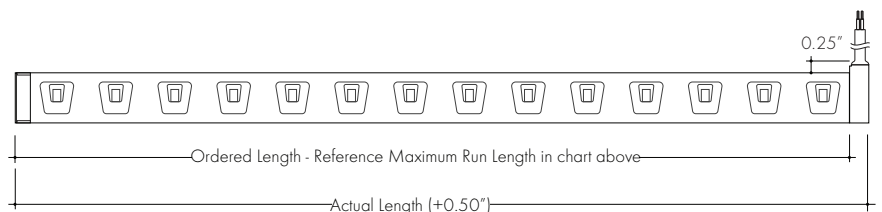
End-feed Actual Length = Ordered Length + 1.00"



**Ordered Length** - Refers ONLY to LED strip length

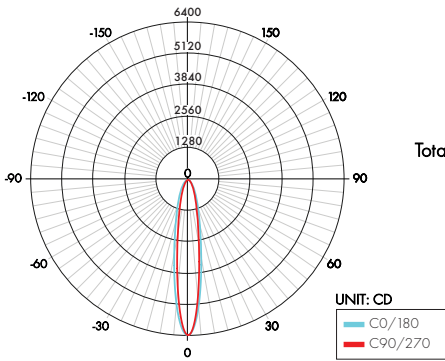
**Actual Length** - Refers to strip length with one *side-feed*

Side-feed Actual Length = Ordered Length + 0.50"



Photometry

FOTNA-SO-30K



Zonal Lumen Summary

Zone	Lumen	% Fixture
0-30	1,356	75.5%
0-40	1,519	84.6%
0-60	1,659	92.3%
0-90	1,738	96.8%
0-180	1,796	100.0%

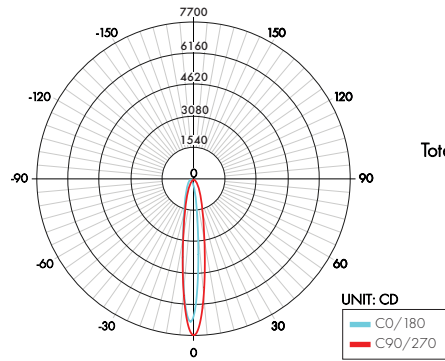
Total

Beam Angle



UNIT: CD  
 C0/180  
 C90/270

FOTNA-HO-30K



Zonal Lumen Summary

Zone	Lumen	% Fixture
0-30	1,657	72.3%
0-40	1,886	82.2%
0-60	2,074	90.5%
0-90	2,189	95.5%
0-180	2,292	100.0%

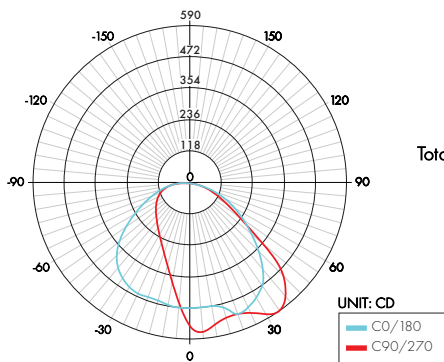
Total

Beam Angle



UNIT: CD  
 C0/180  
 C90/270

FOTAS-SO-3000K



Zonal Lumen Summary

Zone	Lumen	% Fixture
0-30	364	26.9%
0-40	616	45.5%
0-60	1,082	80.0%
0-90	1,301	96.2%
0-180	1,352	100.0%

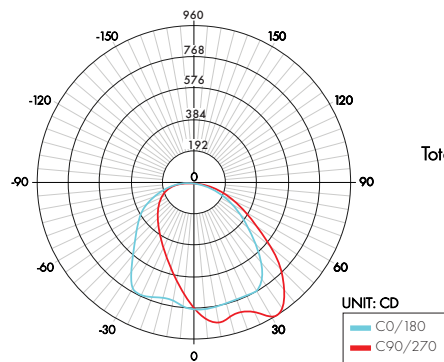
Total

Beam Angle



UNIT: CD  
 C0/180  
 C90/270

FOTAS-HO-3000K



Zonal Lumen Summary

Zone	Lumen	% Fixture
0-30	558	28.4%
0-40	914	46.5%
0-60	1,564	79.6%
0-90	1,894	96.4%
0-180	1,966	100.0%

Total

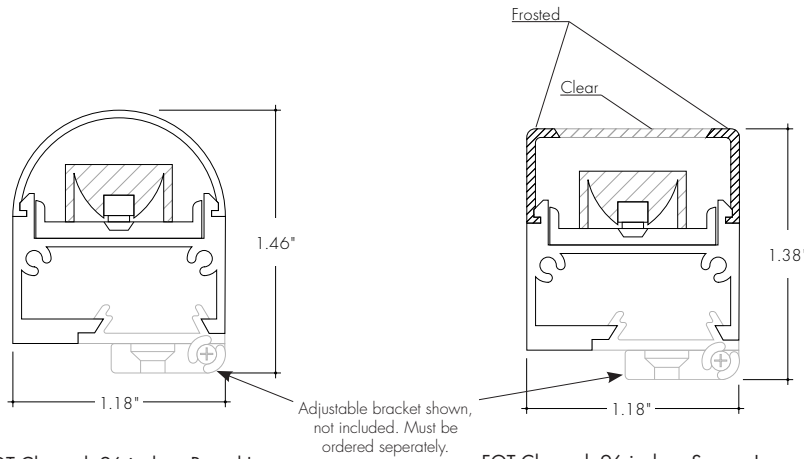
Beam Angle



UNIT: CD  
 C0/180  
 C90/270

**F.O.T. Extrusions**

**Compatible Extrusions**



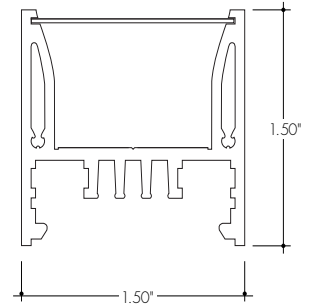
FOT Channel, 96 inches, Round Lens

**FOTC-R-96-C-SA**

FOT Channel, 96 inches, Square Lens

**FOTC-S-96-C-SA**

Not Suitable for Asymmetric FOT; use Narrow optic FOT only in these extrusions.

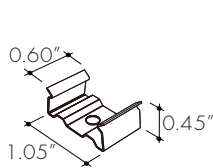


Kilo Channel

**KILOC-144-[LENS]-[FINISH]**

See Kilo Channel specification sheet for channel detail, options, and accessories. Not Suitable for Asymmetric FOT; use Narrow optic FOT only in these extrusions.

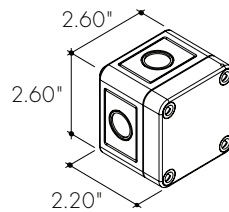
**F.O.T. Accessories**



Mounting Bracket

**MB-FOT-FLEX**

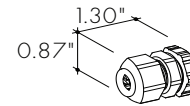
Recommended every 20", when not using a channel.



Splice Box

**LVSP-WET**

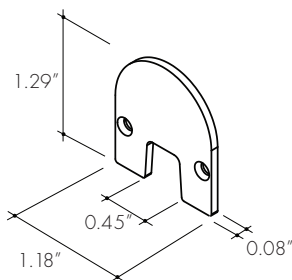
Wet rated, low voltage splice box, gray.



Connector

**LVSP-WET-CM**

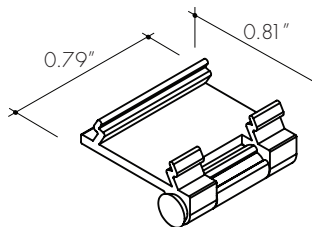
Low voltage splice box wet cable, management gray.



Round Endcap

**EC-FOTC-R-H3-SA**

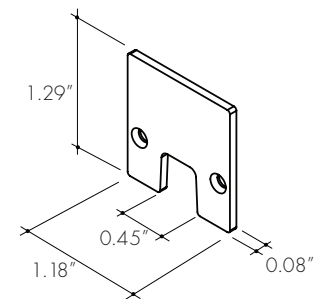
Endcap for channels utilizing the round lens.



Adjustable Bracket

**MB-FOTC-A-SA**

Recommended every 1.5' of channel.



Square Endcap

**EC-FOTC-S-H3-SA**

Endcap for channels utilizing the square lens.

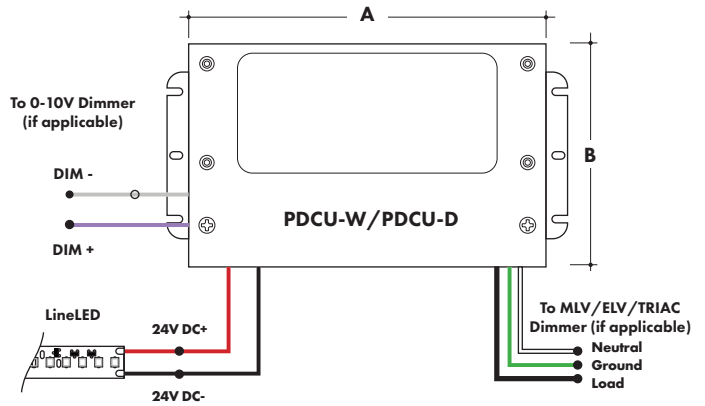
## Power Supplies

See Power Supply instructions and spec sheet for wiring information. For a complete list of compatible dimmers, see Compatible Dimming Chart on the Resources page.

### Universal Power Supply 1% 120VAC - 277VAC

MODEL	POWER	OUTPUT
PDCU-D - IP20 Dry Series	30 - 30 W 60 - 60 W 96 - 96 W 3X96 - 3X96 W	24 - 24 VDC
PDCU-W - IP66 Wet Series	96 - 96 W 3X96 - 3X96 W	

0-10V dims down to 1%, MLV/ELV/TRIAC dims down to 1%.  
For a complete list of compatible dimmers, see [Compatible Dimming Chart](#) on the Resources page.

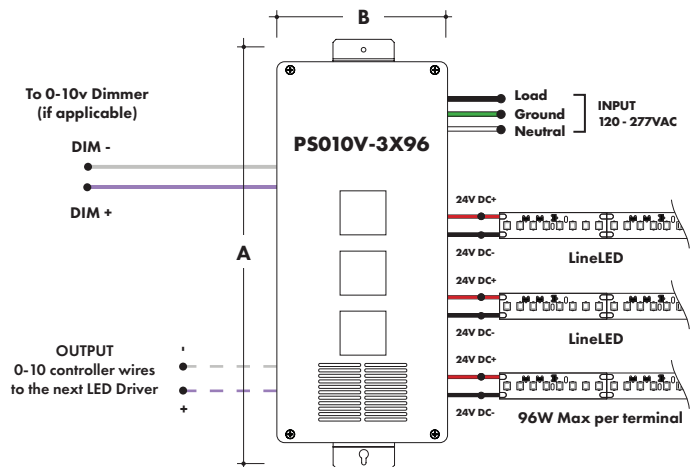
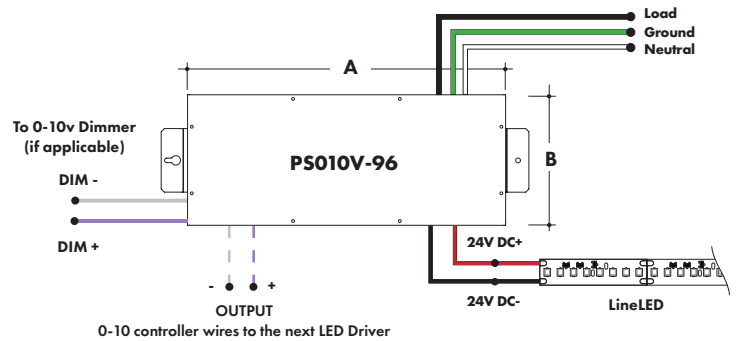


MODELS	PDCU-W 96W	PDCU-W 3X96W	PDCU-D 30W	PDCU-D 60W	PDCU-D 96W	PDCU-D 3X96W
<b>A Length</b>	8.66"	11.85"	6.10"	7.93"	8.25"	9.57"
<b>B Width</b>	3.73"	4.32"	3.35"	3.35"	4.10"	5.94"
<b>Depth</b>	1.61"	1.81"	1.33"	1.32"	1.56"	1.13"

### 0-10V Dimming Power Supplies 0.1% 120VAC - 277VAC

MODEL	POWER	OUTPUT	DIMMING
PS010V - 0-10V Power Supply dims down to 0.1%	96 - 96 Watt 3X96 - 3 X 96 Watt	24 - 24 VDC	LIN - Linear LOG - Logarithmic

MODELS	96W	3X96
<b>A Length</b>	14.40"	15.75"
<b>B Width</b>	5.20"	6.62"
<b>Depth</b>	2.60"	4.95"



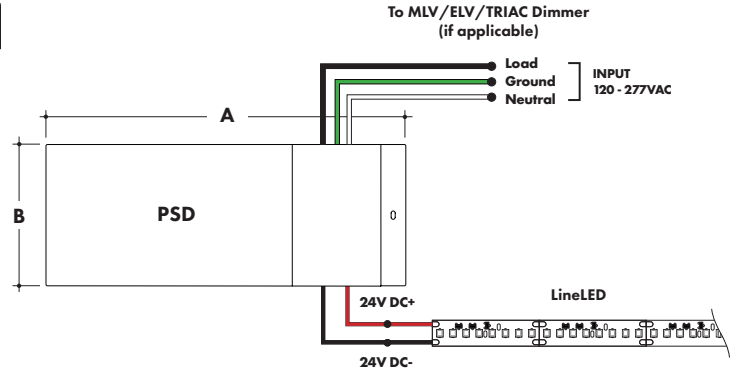
## Power Supplies

See Power Supply instructions and spec sheet for wiring information. For a complete list of compatible dimmers, see Compatible Dimming Chart on the Resources page.

### Magnetic Low Voltage Dimming Power Supplies

MODEL	POWER	OUTPUT	INPUT
PSD - PSD Series dims down to 0%	48 - 48 Watt 96 - 96 Watt 288 - 288 Watt (3 x 96Watt)	24 - 24 VDC	Blank - 120 V 240 - 240 V 277 - 277 V

MODELS	48W	96W	288W
<b>A Length</b>	11.25"	11.25"	13.06"
<b>B Width</b>	3.42"	3.42"	8.42"
<b>Depth</b>	3.42"	3.27"	4.47"

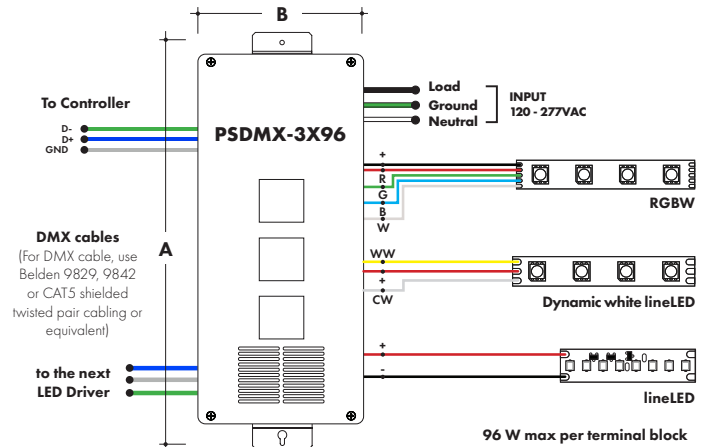
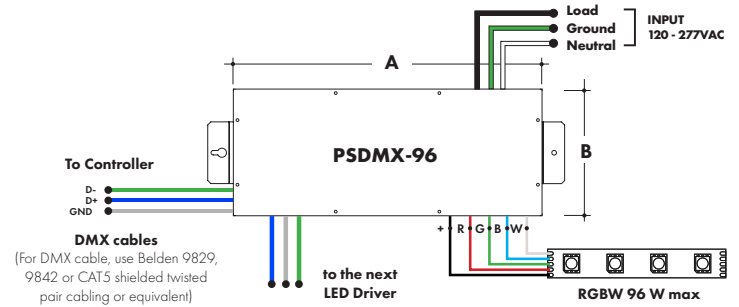


### DMX Dimming Power Supplies 120VAC - 277VAC

MODEL	POWER	OUTPUT
PSDMX - DMX Power Supply dims down to 0%	96 - 96 Watt 3X96 - 3 X 96 Watt	24 - 24 VDC

Features eldoLED's LINEARdrive configurable dimmable drivers

MODELS	96W	3X96
<b>A Length</b>	14.40"	15.75"
<b>B Width</b>	5.20"	6.62"
<b>Depth</b>	2.60"	4.95"



## Power Supplies

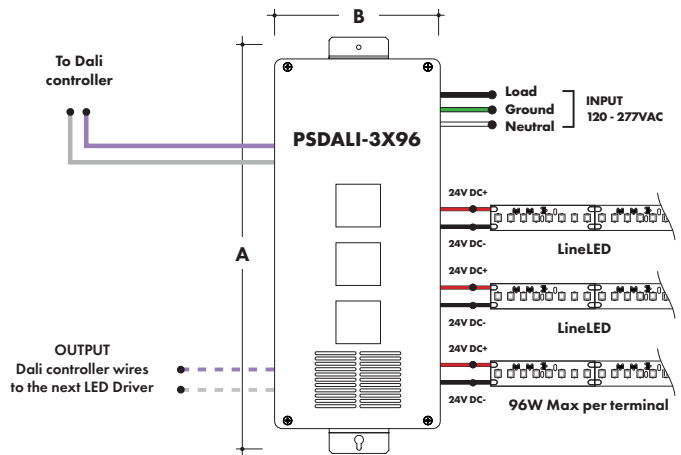
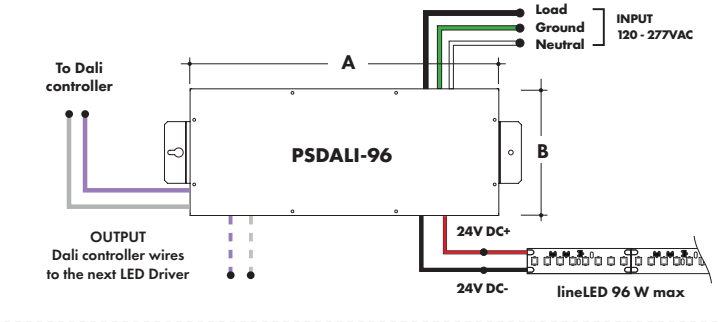
See Power Supply instructions and spec sheet for wiring information. For a complete list of compatible dimmers, see Compatible Dimming Chart on the Resources page.

### DALI 0% Dimming Power Supplies 120VAC - 277VAC

MODEL	POWER	OUTPUT
PSDALI - DALI Power Supply dims down to 0%	96 - 96 Watt 3X96 - 3 X 96 Watt	24 - 24 VDC

Features eldoLED's LINEARdrive configurable dimmable drivers

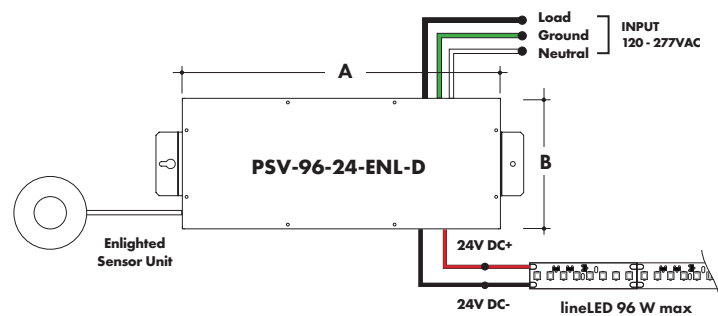
MODELS	96W	3X96
<b>A Length</b>	14.40"	15.75"
<b>B Width</b>	5.20"	6.62"
<b>Depth</b>	2.60"	4.95"



### Enlighted Enabled Dimming Power Supplies 120VAC - 277VAC

MODEL	POWER	OUTPUT	DIMMING	LOCATION
PSV - PSV Series	96 - 96 Watt	24 - 24 VDC	ENL - Enlighted Dimming dims down to 0%	D - Damp

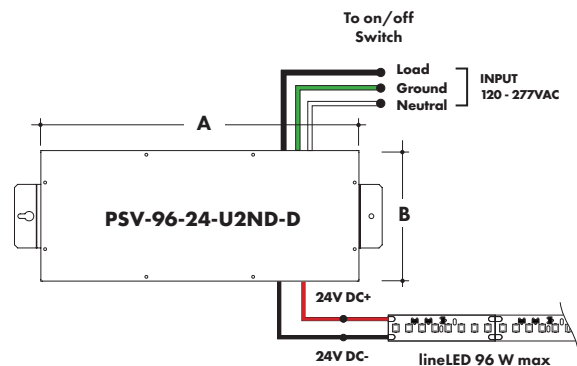
MODELS	96W
<b>A Length</b>	14.40"
<b>B Width</b>	5.20"
<b>Depth</b>	2.60"



### Non-Dimming Power Supply 120VAC - 277VAC

MODEL	POWER	OUTPUT	DIMMING	LOCATION
PSV - PSV Series	96 - 96 Watt	24 - 24 VDC	U2ND - Non Dimming	D - Damp

MODELS	96W
<b>A Length</b>	14.40"
<b>B Width</b>	5.20"
<b>Depth</b>	2.60"



### Power Supplies

See Power Supply instructions and spec sheet for wiring information. For a complete list of compatible dimmers, see Compatible Dimming Chart on the Resources page.



Luminii is a Lutron OEM Advantage Partner

#### Lutron Power Supplies 1%

MODEL

**LTEA4U1UKL-CV240**

Lutron - HiLume™ 1% 2-wire LED Driver  
40W max

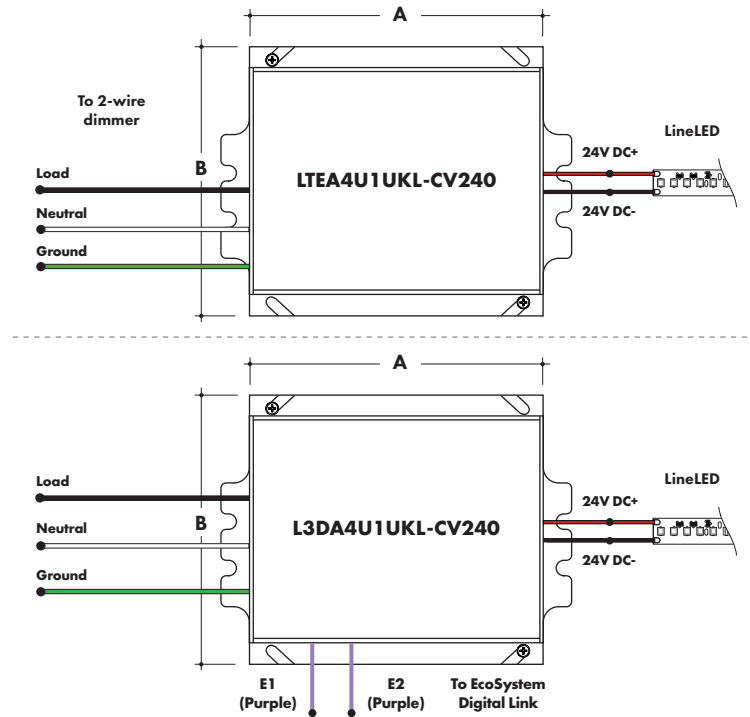
(120V forward phase only)

MODEL

**L3DA4U1UKL-CV240**

HiLume™ 1% EcoSystem Voltage LED driver  
40W max

MODELS	LTEA4U1UKL-CV240	L3DA4U1UKL-CV240
<b>A Length</b>	4.89"	4.98"
<b>B Width</b>	4.00"	4.00"
<b>Depth</b>	2.62"	2.62"



Luminii is a Lutron OEM Advantage Partner

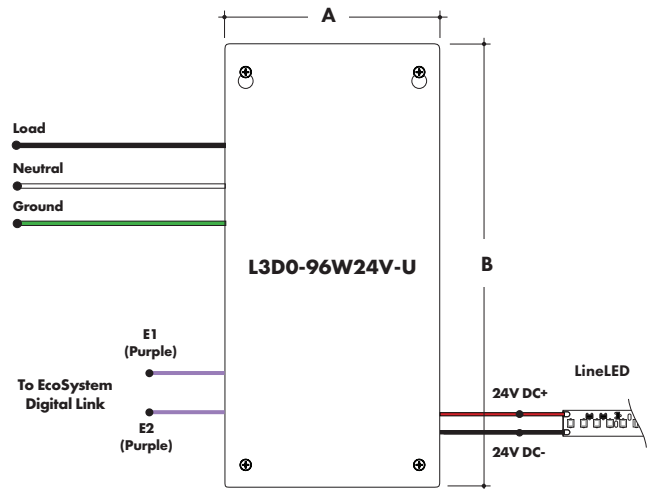
#### Lutron Power Supplies 0.1%

MODEL

**L3D0-96W24V-U**

HiLume™ 0.1% EcoSystem Voltage LED Driver with Soft-On, Fade-to-Black™  
96W max

MODELS	L3D0
<b>A Length</b>	10.50"
<b>B Width</b>	5.50"
<b>Depth</b>	2.00"

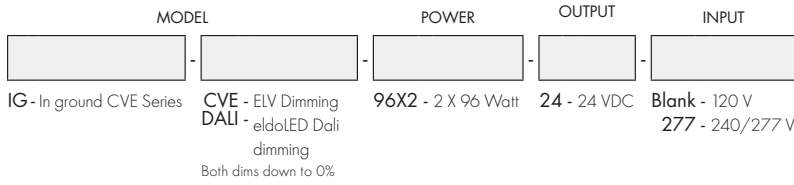




**Power Supplies**

See Power Supply instructions and spec sheet for wiring information. For a complete list of compatible dimmers, see [Compatible Dimming Chart](#) on the Resources page.

**In-Ground Power Supplies**



MODELS	Dual Circuit
<b>A Length</b>	8.40"
<b>B Width</b>	8.30"
<b>Depth</b>	8.10"

