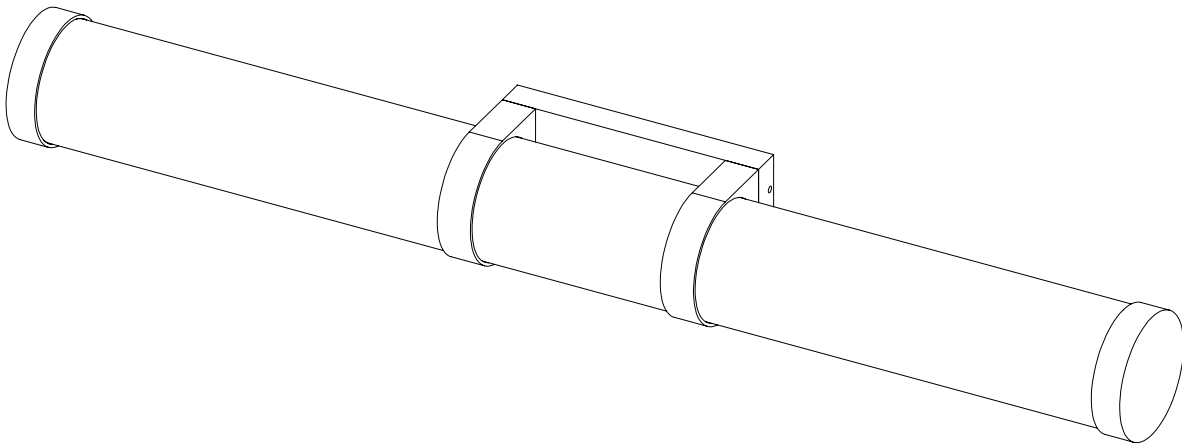


Installation Instructions for Explorer Vanity
Models EXPV-XX



7777 N. Merrimac Ave
Niles, IL 60714
T 224.333.6033
F 224.757.7557
info@luminii.com
www.luminii.com

Page 1 of 3



Installation Instructions for Explorer Vanity

Models EXPV-XX

Please read all instructions prior to installation and keep for future reference!

1. Product to be installed by a qualified electrician.
2. Prior to installation ensure power is off at fuse box to prevent electrical shock.
3. Use only with Class 2 LED Driver. *Utiliser seulement avec la classe 2 unite d'alimentation electrique.*
4. Suitable for damp location installations.



7777 N. Merrimac Ave
Niles, IL 60714
T 224.333.6033
F 224.757.7557
info@luminii.com
www.luminii.com



Page 2 of 3

1

fixture

set screw

mounting plate

1.1 From the back of the fixture, loosen the 4 set screws on the fixture body. Then carefully remove the mounting plate.

2

single gang junction box.

LED driver

LED driver

2.1 Connect the white (neutral) & black (hot) LED driver wires to the white & black power wires (120VAC).

2.2 Place driver into the junction box.

3

mounting plate

single gang junction box.

24VDC low voltage wires

screw

3.1 Feed the low voltage wires through the center of the mounting plate. Followed by lining up the mounting plate to the junction box and secure using the provided screws.

3.2 Connect the ground in accordance with local electrical codes.

4

fixture

24VDC low voltage wires

mounting plate

4.1 Connect +24 VDC red wire from the fixture to the LED driver +24 VDC red wire with a wire nut. Connect -24VDC black wire from the fixture to LED driver -24VDC black wire with a wire nut.

4.1 Connect +24 VDC red wire from the fixture to the LED driver +24 VDC red wire with a wire nut. Connect -24VDC black wire from the fixture to LED driver -24VDC black wire with a wire nut.

Installation Instructions for Explorer Vanity

Models EXPV-XX

Please read all instructions prior to installation and keep for future reference!

1. Product to be installed by a qualified electrician.
2. Prior to installation ensure power is off at fuse box to prevent electrical shock.
3. Use only with Class 2 LED Driver. *Utiliser seulement avec la classe 2 unite d'alimentation electrique.*
4. Suitable for damp location installations.



luminii

7777 N. Merrimac Ave
Niles, IL 60714
T 224.333.6033
F 224.757.7557
info@luminii.com
www.luminii.com

Page 3 of 3

5

5.1 Insert the fixture wire nut connections into the junction box.

5.2 Align the fixture to the mounting bracket & secure by using the fixture screws.