



## Features

The Class 2 DMX LED Driver is specifically designed to work with RGBW LineLED or modules and controls 96 watt using standard DMX512. Features eldoLED's LINEARdrive configurable dimmable DMX drivers. Intuitive user interface allows configuration of the number of channels, DMX settings for network mode and show, color and dim values for standalone operation. Suitable For Damp Location.



PLENUM FOR SUCH USE IN ACCORDANCE WITH UL2043

## Technical information

### Input voltage

120-277V AC, 1.1A, 50/60Hz

### Output signal

24 VDC, 4.0 A, DMX512

### Maximum wattage

96 watt circuits

### Mounting

Surface mounted with conduit access

### Dimming curve

Linear, Logarithmic (programmable)

100% - 0% (HydraDrive)

### Ambient Operating Temperature

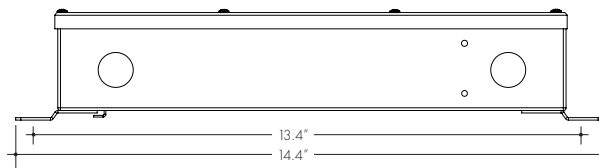
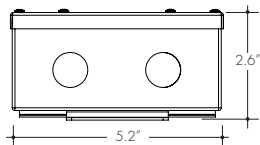
-20C to +35C

### JA8 compliant

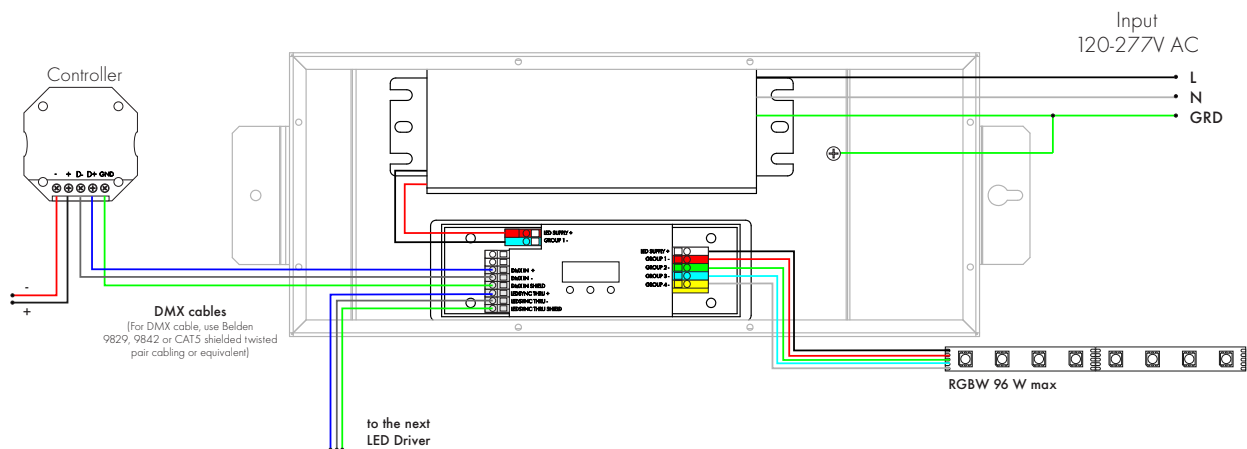
When used with models: LLDW36, LLDW52, or LLDW73STP

### Weight

3.8 lbs



## Wiring diagram



## Ordering code

MODEL	POWER	OUTPUT
<b>PSDMX</b>	<b>96</b>	<b>24</b>
PSDMX - DMX LED Driver	96 - 96 Watt	24 - 24 VDC