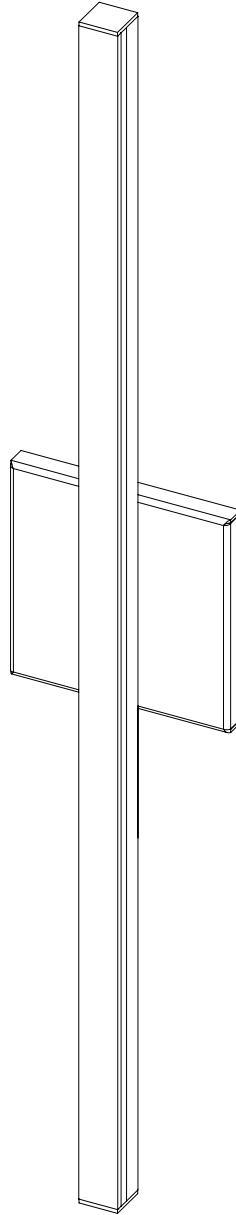


Installation Instructions for **Clareo Wall**
Models CLSW-XX, & CLQW-XX



7777 N. Merrimac Ave
Niles, IL 60714
T 224.333.6033
F 224.757.7557
info@luminii.com
www.luminii.com

Page 1 of 3



Clareo Wall - Installation Instructions

Models CLSW-XX, & CLQW-XX

Please read all instructions prior to installation and keep for future reference!

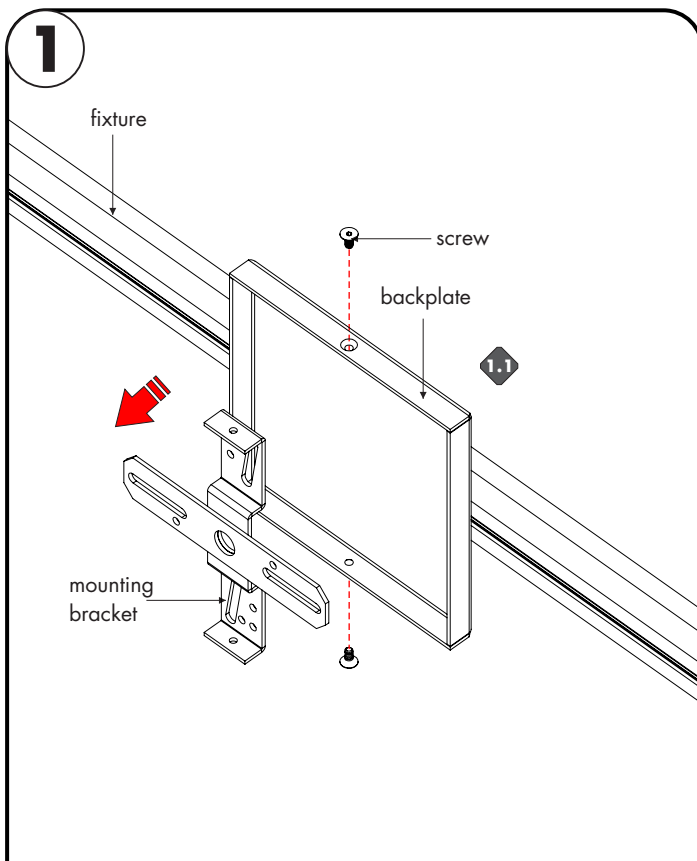
1. Product to be installed by a qualified electrician.
2. Prior to installation ensure power is off at fuse box to prevent electrical shock.
3. Use only with Class 2 LED Driver. *Utiliser seulement avec la classe 2 unite d'alimentation electrique.*



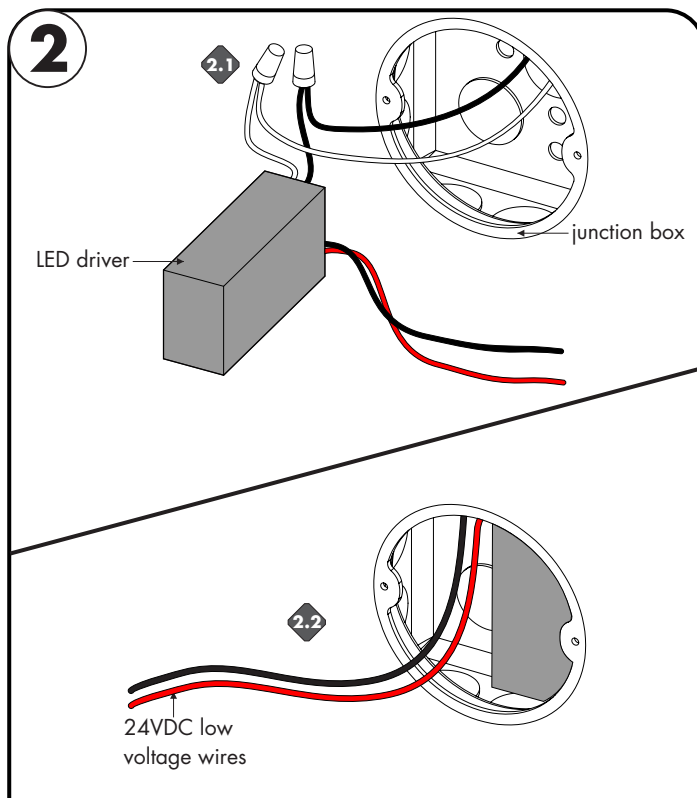
7777 N. Merrimac Ave
Niles, IL 60714
T 224.333.6033
F 224.757.7557
info@luminii.com
www.luminii.com



Page 2 of 3

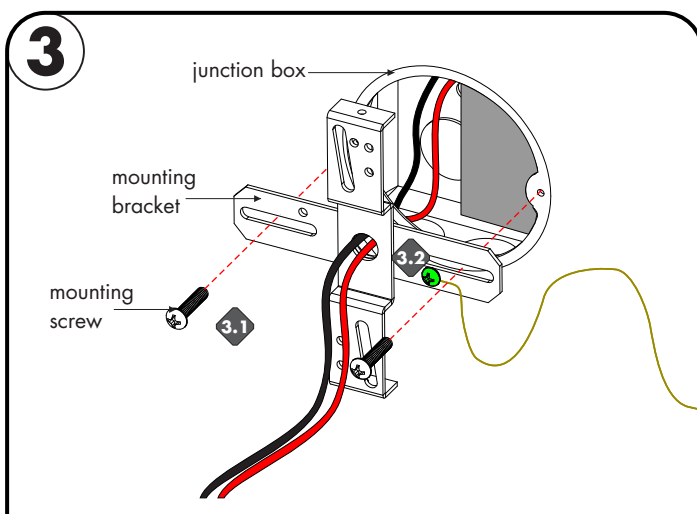


- 1.1** From the back of the fixture, remove the 2 screws from the mounting bracket. Then carefully remove the mounting bracket.



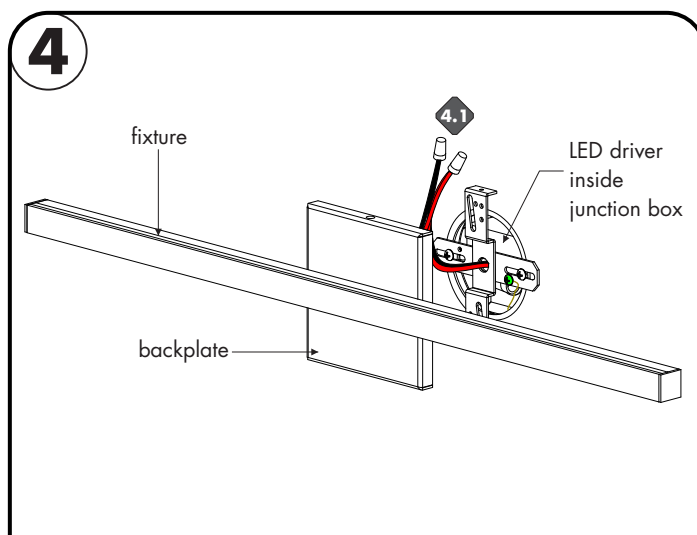
- 2.1** Connect the white (neutral) & black (hot) LED driver wires to the white & black power wires (120VAC).

- 2.2** Place LED driver into the junction box.



- 3.1** Line up the mounting bracket to the junction box, and secure using the provided screws.

- 3.2** Connect the ground in accordance with local electrical codes.



- 4.1** Connect +24 VDC red wire from the fixture to the LED driver +24 VDC red wire with a wire nut. Connect -24VDC black wire from the fixture to LED driver -24VDC black wire with a wire nut.

Clareo Wall - Installation Instructions

Models CLSW-XX, & CLQW-XX

Please read all instructions prior to installation and keep for future reference!

1. Product to be installed by a qualified electrician.
2. Prior to installation ensure power is off at fuse box to prevent electrical shock.
3. Use only with Class 2 LED Driver. *Utiliser seulement avec la classe 2 unite d'alimentation electrique.*



luminii

7777 N. Merrimac Ave
Niles, IL 60714
T 224.333.6033
F 224.757.7557
info@luminii.com
www.luminii.com

Page 3 of 3

5

The diagram is divided into two parts, 5.1 and 5.2. Part 5.1 is a perspective view showing a long, thin fixture being inserted into a junction box. A screw is shown being inserted into the backplate of the fixture. A red arrow points to the right, indicating the direction of insertion. Part 5.2 is a side view showing the fixture mounted to a backplate on a wall. The backplate is secured to the drywall. The fixture has three circular light sources.

5.1 Insert the fixture wire nut connections into the junction box.

5.2 Align the fixture to the mounting bracket & secure by using the fixture screws. Fixture can be mounted in a horizontal or vertical position.