

## Features

- 24VDC Class 2 fixtures made to order up to 144". Fixtures can be linked up to 35' depending on output
- Suitable for undercabinet, millwork recessed and surface mount applications
- Approved for closet/storage space installation per NEC 410.16(A)(3) and 410.16(C)(5)Dot free even illumination
- Vibrant colors with R9 values up to 98
- Single micro binned LEDs +/- 30 CCT
- Dims with minimal color shift

- Proprietary strong bond solder method handles up to 50lbs of torque on wire leads and connectors
- Class 2 listed for damp locations
- 5 Year warranty



IC RATED

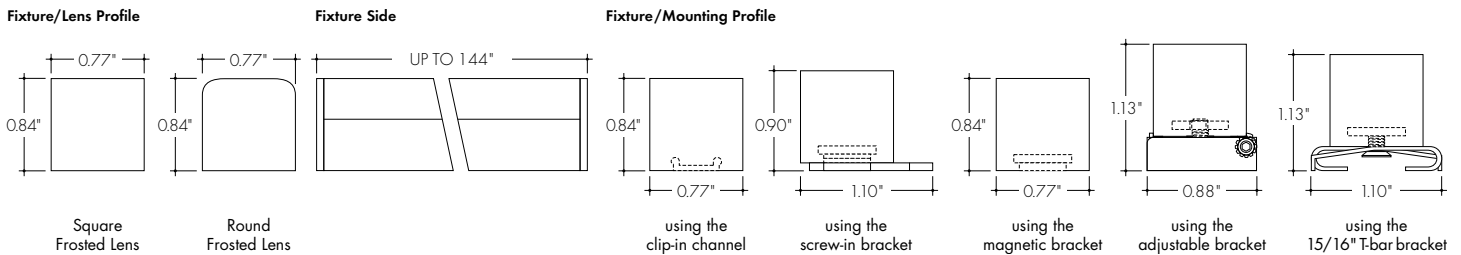
RoHS



## Finish Options

- Silver anodized
- Bronze powder coated
- Black powder coated
- White powder coated

## Profile Dimensions



## Technical Information

### OUTPUT OPTIONS

Output	Lumens at 3000K	Average Power Consumption at 4'	Lumens / Watt	Maximum System Length (per 96W power supply)
HO (LL36X2)	346 lm/ft	6.5 W/ft	53 lm/W	144"
VHO (LL54X2)	511 lm/ft	10.4 W/ft	49 lm/W	120"

### CCT INFO/LUMEN MULTIPLIER

Color Temperature	Multiplier (reference - 3000K)	CRI	R <sub>f</sub>	R <sub>g</sub>
2200K	0.87	86	87	98
2400K	0.73	98	95	102
2700K	0.81	97	95	101
2900K	0.86	97	94	101
3000K	1.00	91	89	98
3500K	1.05	94	90	102
4100K	1.28	94	86	96

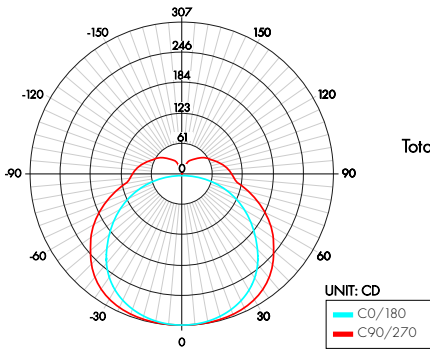
### TM-30-15

## Ordering Code

MODEL	LENGTH	CCT	OUTPUT	MOUNTING	FINISH	POWER FEED POSITION / TYPE
CLS - Clareo Square, Surface CLQ - Clareo Round, Surface	12" - 144" 4" increments	22K - 2200K 24K - 2400K 27K - 2700K 29K - 2900K 30K - 3000K 35K - 3500K 41K - 4100K	HO - High VHO - Very High	C - Clip-in SC - Screw-in M - Magnetic AH - Adjustable Hinge TB15 - 15/16 T-Bar TB9 - 9/16 T-Bar	SA - Silver BK - Black BZ - Bronze WH - White  (BK, BZ, WH finishes will have an upcharge and require longer lead times)	E - End B - Back 1 - 72" wire leads 1X2 - 72" wire leads at both ends 2 - 72" wire leads at one end and quick connect at other 3 - Single quick connect 4 - Dual quick connect

Photometry

CLS-48-30K-HO-XX

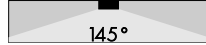


Zonal Lumen Summary 3000K

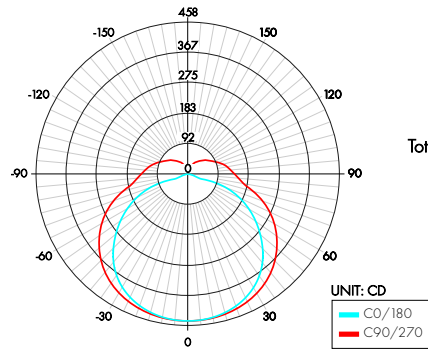
Zone	Lumen	% Fixture
0-30	251	18%
0-40	424	31%
0-60	801	58%
0-90	1158	84%
0-180	1384	100%

Total

Beam Angle



CLS-48-30K-VHO-XX



Zonal Lumen Summary 3000K

Zone	Lumen	% Fixture
0-30	372	18%
0-40	629	31%
0-60	1188	58%
0-90	1719	84%
0-180	2045	100%

Total

Beam Angle



Power Consumption Per Fixture Length

Based on operation with PSD series of power supplies



Nominal Length	HO			VHO		
	Actual Length	W/ft	Total wattage	Actual Length	W/ft	Total wattage
12"	13-2/16"	6.80	6.8	13-1/16"	10.80	10.8
16"	17 "	6.78	8.9	17 "	10.73	13.8
20"	21 "	6.76	11.5	21 "	10.67	16.8
24"	24-14/16"	6.75	13.5	24-15/16"	10.60	19.8
28"	28-13/16"	6.72	15.8	28-13/16"	10.50	23.5
32"	32-13/16"	6.69	17.9	32-13/16"	10.40	27.2
36"	36-11/16"	6.65	19.95	36-12/16"	10.30	30.9
40"	40-10/16"	6.62	22	40-11/16"	10.29	34.3
44"	44-10/16"	6.59	24	44-10/16"	10.28	37.7
48"	48-9/16"	6.55	26.2	48-9/16"	10.28	41.1
52"	52-8/16"	6.50	28	53-13/16"	10.27	44.6
56"	56-7/16"	6.45	30	57-12/16"	10.26	48.1
60"	60-6/16"	6.40	32	61-11/16"	10.25	51.6
64"	64-5/16"	6.37	34	65-10/16"	10.23	55.5
68"	70-3/16"	6.34	35.5	69-9/16"	10.22	59
72"	74-2/16"	6.30	37.8	73-8/16"	10.20	63.2
76"	78-1/16"	6.27	39.66	77-7/16"	10.17	66.2
80"	82-1/16"	6.24	41.5	81-7/16"	10.14	69.12
84"	85-15/16"	6.20	43.4	85-6/16"	10.10	72.1
88"	89-14/16"	6.17	45.2	89-4/16"	10.00	74.5
92"	93-13/16"	6.14	47	93-3/16"	9.96	76.9
96"	97-12/16"	6.10	48.8	97-3/16"	9.90	79.4
100"	101-12/16"	6.07	50.5	101-2/16"	9.87	82.3
104"	105-10/16"	6.04	52.3	105-1/16"	9.83	85.2
108"	109-10/16"	6.00	54	109 "	9.80	88.1
112"	113-9/16"	5.98	55.8	112-15/16"	9.77	90.7
116"	117-7/16"	5.97	57.7	116-14/16"	9.73	93.3
120"	121-7/16"	5.95	59.5	120-14/16"	9.70	96
124"	125-6/16"	5.92	61.1			
128"	129-4/16"	5.89	62.7			
132"	133-4/16"	5.85	64.35			
136"	137-3/16"	5.83	66			
140"	141-2/16"	5.81	67.9			
144"	145-1/16"	5.80	69.6			

**T-Grid Compatibility**

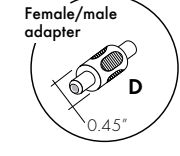
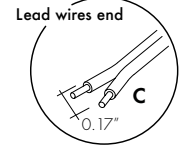
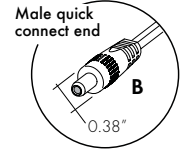
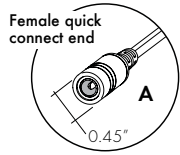
For TB15 & TB9 models only

Brand	Type	Part Number	Description
USG*	9/16	208257	DX/DXL-24 SUSPENSION FLAT WHITE
	15/16	215673	DONN AX SUSPENSION
	15/16	272638	DXCE FLAT WHITE
	15/16	207901	M7 OVERLAPPING
ARMSTRONG	9/16	BPGZ068	SURPRAFINE XL HRC
	15/16	BPGZ051	PRELUDE XL HRC EXPOSED TEE SYSTEM
	15/16	BPGZ044	PRELUDE ML EXPOSED TEE SYSTEM
	15/16	BPGZ046	PRELUDE XL FIRE EXPOSED TEE SYSTEM

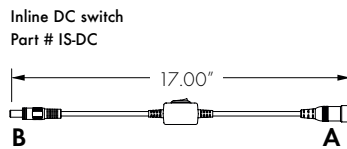
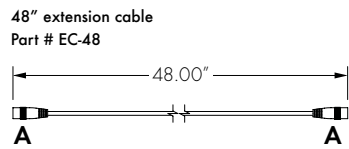
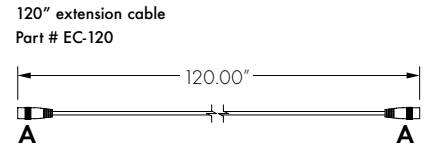
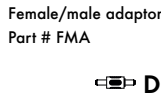
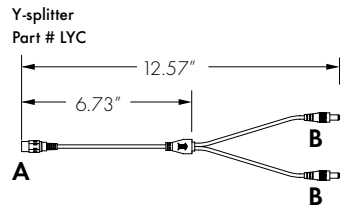
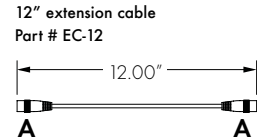
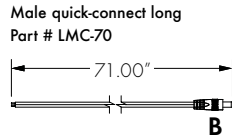
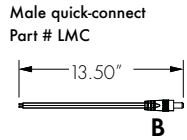
**\* Statement of Compatibility from USG:**

Luminii's fixtures at 0.25lbs/ft can be fully supported by the USG grids listed in the table above and do not require any additional structural support or modifications to the grid system as long as the overall ceiling weight including specified fixtures and/or any other components supported by the grid does not cross the allowed ceiling weight per state building structural codes.

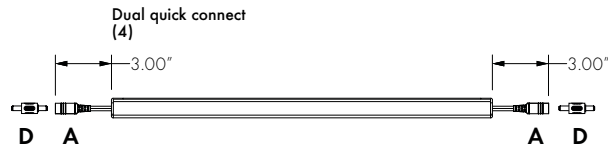
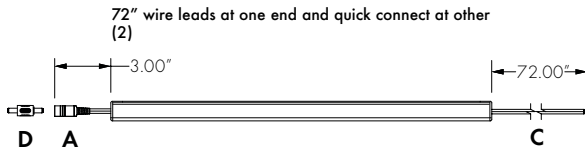
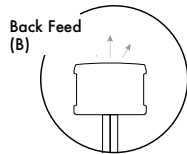
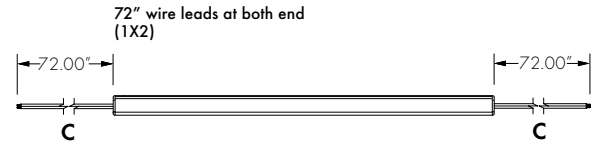
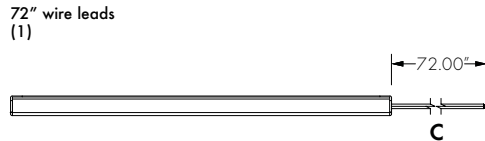
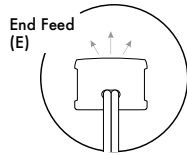
Connectors & Accessories



Linking and extension cable options



Powerfeed Position / Type



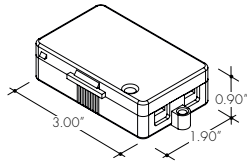
3, and 4 powerfeed options require #LMC to connect to PSD series of power supplies.

**Accessories**

Splice Box

LVSP-4T-BK

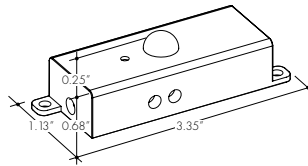
Low voltage, 4 terminal splice box, black



PIR Infrared Occupancy Sensor

OS-DC-F4-BK

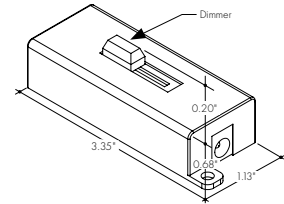
OS-DC-F4-BK - Occupancy Sensor



24VDC Low Voltage In-Line Dimmer Module

DIM-DC-F4-BK

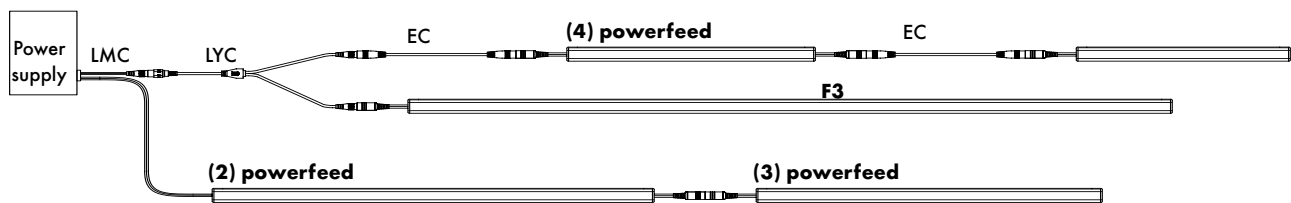
DIM-DC-F4-BK - 24VDC Low Voltage In-Line Dimmer Module



Note: a Male quick connector for input and output is required.

Note: a Male quick connector for input and output is required.

**Sample layout**



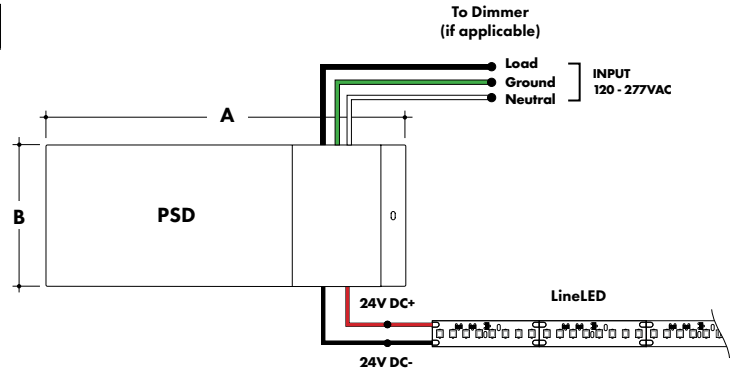
## Power Supply

See fixture and power supply instructions & spec sheet for wiring information. Dimming possible in select models - view Luminii website for list of compatible dimmers.

### Magnetic Low Voltage Dimming Power Supplies

MODEL	POWER	OUTPUT	INPUT
<b>PSD</b>	<b>48</b>	<b>24</b>	
PSD - PSD Series dims down to 0%	48 - 48 Watt 96 - 96 Watt 288 - 288 Watt (3 x 96Watt)	24 - 24 VDC	Blank - 120 V 240 - 240 V 277 - 277 V

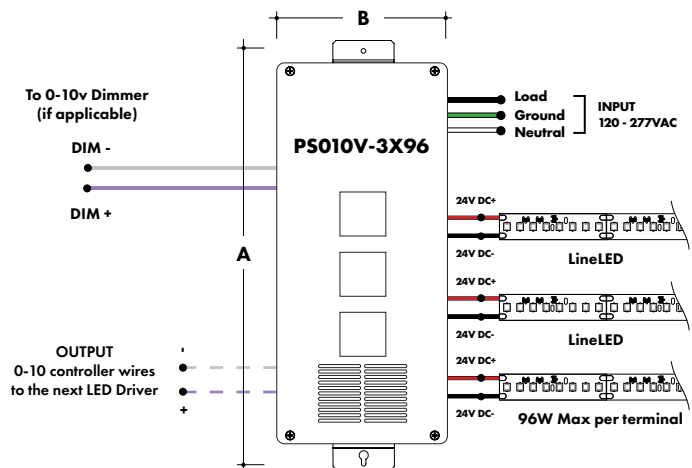
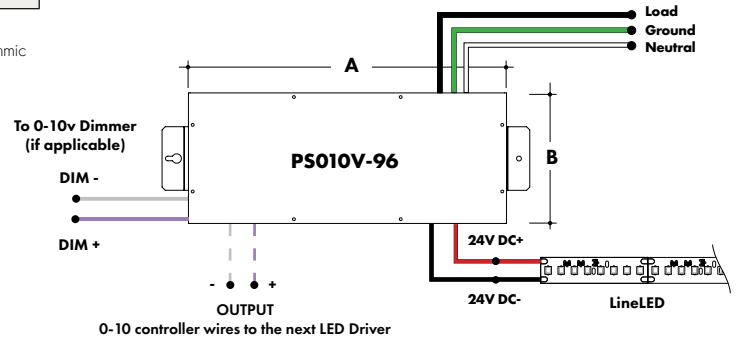
MODELS	PSD 48	PSD 96	PSD 288
<b>A Length</b>	11.25"	11.25"	13.06"
<b>B Width</b>	3.42"	3.42"	8.42"
<b>Depth</b>	3.42"	3.27"	4.47"



### 0-10V Dimming Power Supplies

MODEL	POWER	OUTPUT	DIMMING
<b>PS010V</b>	<b>96</b>	<b>24</b>	<b>LIN</b>
PS010V - 0-10V Power Supply dims down to 0%	96 - 96 Watt 3X96 - 3 X 96 Watt	24 - 24 VDC	LIN - Linear LOG - Logarithmic

MODELS	96W	3X96
<b>A Length</b>	14.40"	15.75"
<b>B Width</b>	5.20"	6.62"
<b>Depth</b>	2.60"	4.95"



## Power Supply

See fixture and power supply instructions & spec sheet for wiring information. Dimming possible in select models - view Luminii website for list of compatible dimmers.

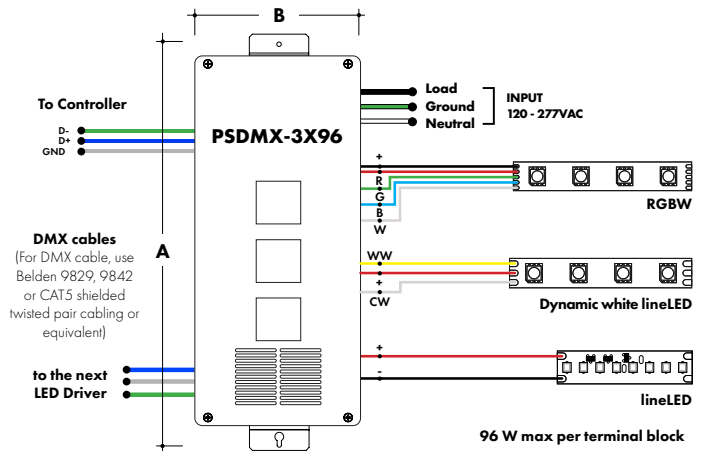
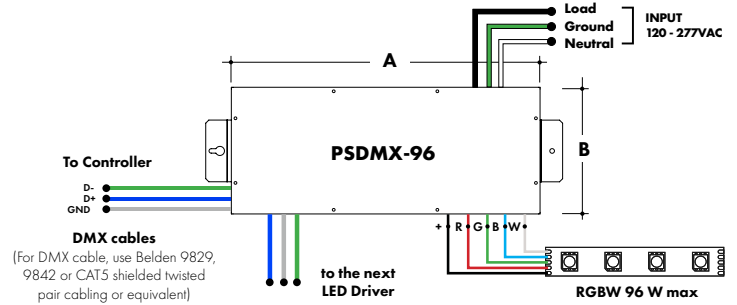
### DMX Dimming Power Supplies

MODEL	POWER	OUTPUT
<b>PSDMX</b>	<b>96</b>	<b>24</b>

PSDMX - DMX Power Supply      96 - 96 Watt      24 - 24 VDC  
 3X96 - 3 X 96 Watt

Features eldoLED's LINEARdrive configurable dimmable drivers

MODELS	96W	3X96
<b>A Length</b>	14.40"	15.75"
<b>B Width</b>	5.20"	6.62"
<b>Depth</b>	2.60"	4.95"



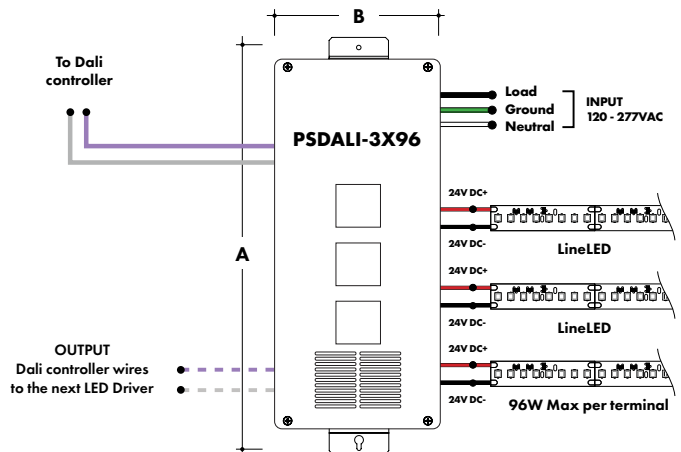
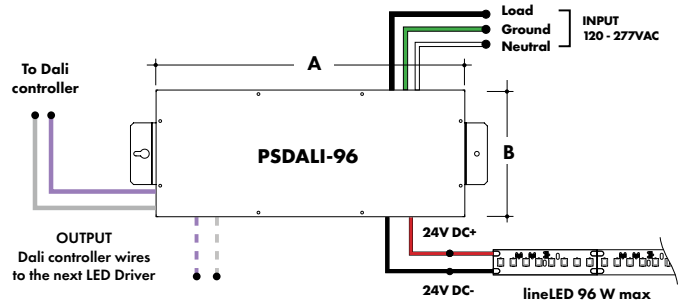
### DALI Dimming Power Supplies

MODEL	POWER	OUTPUT
<b>PSDALI</b>	<b>96</b>	<b>24</b>

PSDALI - DALI Power Supply      96 - 96 Watt      24 - 24 VDC  
 dims down to 0%      3X96 - 3 X 96 Watt

Features eldoLED's LINEARdrive configurable dimmable drivers

MODELS	96W	3X96
<b>A Length</b>	14.40"	15.75"
<b>B Width</b>	5.20"	6.62"
<b>Depth</b>	2.60"	4.95"



### Power Supply

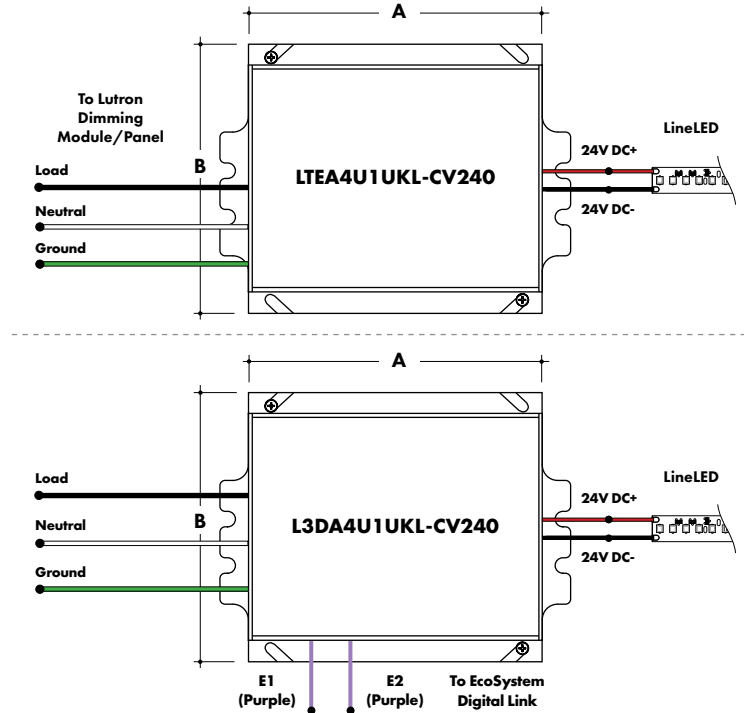
See fixture and power supply instructions & spec sheet for wiring information. Dimming possible in select models - view Luminii website for list of compatible dimmers.



Luminii is a Lutron OEM Advantage Partner

MODEL	MODEL
<b>LTEA4U1UKL-CV240</b>	<b>L3DA4U1UKL-CV240</b>
Lutron - HiLume™ 1% 2-wire LED Driver (120V forward phase only)	HiLume™ 1% EcoSystem Voltage LED driver

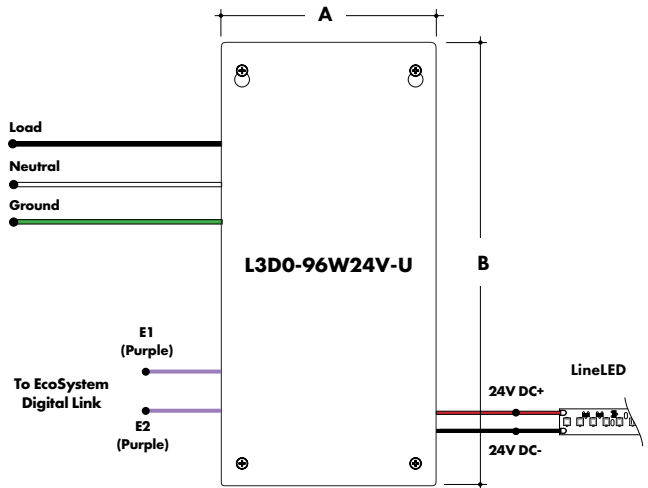
MODELS	LTEA4U1UKL-CV240	L3DA4U1UKL-CV240
<b>A Length</b>	4.89"	4.98"
<b>B Width</b>	4.00"	4.00"
<b>Depth</b>	2.62"	2.62"



Luminii is a Lutron OEM Advantage Partner

MODEL
<b>L3D0-96W24V-U</b>
HiLume™ 0.1% EcoSystem Voltage LED Driver with Soft-On, Fade-to-Black™

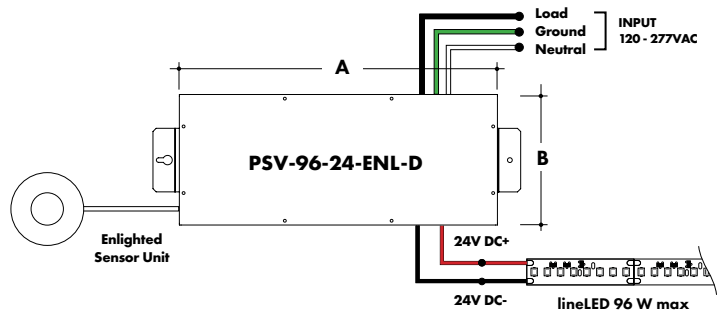
MODELS	L3D0
<b>A Length</b>	10.50"
<b>B Width</b>	5.50"
<b>Depth</b>	2.00"



#### Enlighted Enabled Dimming Power Supplies:

MODEL	POWER	OUTPUT	DIMMING	LOCATION
<b>PSV</b>	<b>96</b>	<b>24</b>	<b>ENL</b>	<b>D</b>
PSV - PSV Series	96 - 96 Watt	24 - 24 VDC	ENL - Enlighted Dimming	D - Damp

MODELS	96 W
<b>A Length</b>	14.40"
<b>B Width</b>	5.20"
<b>Depth</b>	2.60"





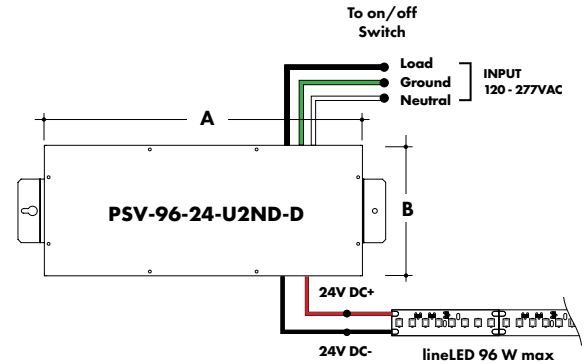
## Power Supply

See fixture and power supply instructions & spec sheet for wiring information. Dimming possible in select models - view Luminii website for list of compatible dimmers.

### Non-Dimming Power Supply

MODEL	POWER	OUTPUT	DIMMING	LOCATION
<b>PSV</b>	<b>96</b>	<b>24</b>	<b>U2ND</b>	<b>D</b>
PSV - PSV Series	96 - 96 Watt	24 - 24 VDC	U2ND - Non Dimming	D - Damp

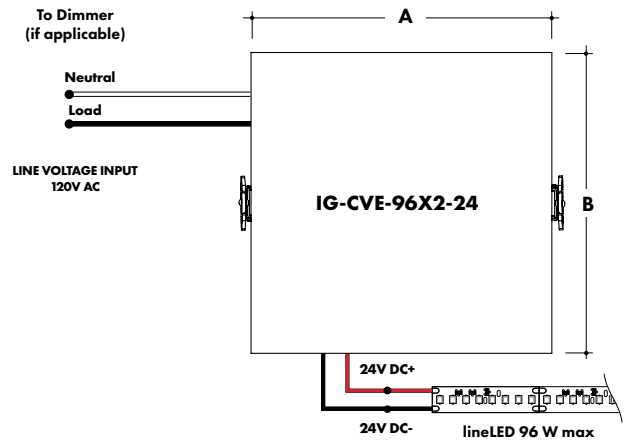
MODELS	96W
<b>A Length</b>	14.40"
<b>B Width</b>	5.20"
<b>Depth</b>	2.60"



### In ground, Electronic Low Voltage Dimming Power Supplies

MODEL	POWER	OUTPUT	INPUT
<b>IG</b>	<b>CVE</b>	<b>96X2</b>	<b>24</b>
IG - In ground CVE Series	CVE - ELV Dimming DALI - eidoLED Dali dimming Both dims down to 0.1%	96X2 - 2 X 96 Watt	24 - 24 VDC Blank - 120 V 277 - 240/277 V

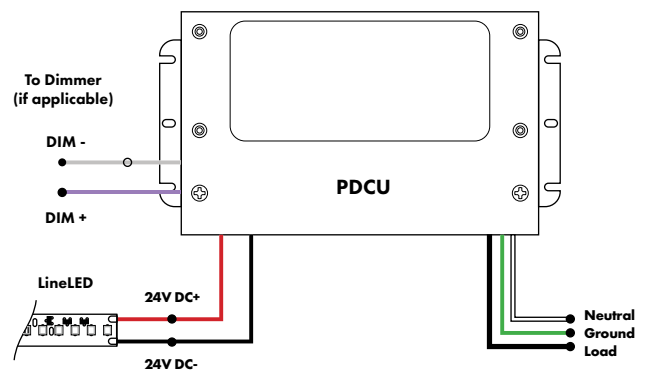
MODELS	Dual Circuit
<b>A Length</b>	8.40"
<b>B Width</b>	8.30"
<b>Depth</b>	8.10"



### Universal Power Supply

MODEL	POWER	OUTPUT
<b>PDCU</b>	<b>30</b>	<b>24</b>
PDCU - PDCU Series	30 - 30 Watt	24 - 24 VDC
PDCUe - PDCUe Series	60 - 60 Watt 96 - 96 Watt 3X96 - 3x96 Watt	

- 0-10V - 1% dimming
- MLV/ELV/TRIAC - 1% dimming



MODELS	PDCU 30W	PDCUe 30W	PDCU 60W	PDCUe 60W	PDCU 96W	PDCUe 96W	PDCU 3X96W	PDCUe 3X96W
<b>A Length</b>	6.50"	6.10"	7.40"	7.93"	8.66"	8.25"	11.85"	9.57"
<b>B Width</b>	3.73"	3.35"	3.73"	3.35"	3.73"	4.10"	4.32"	5.94"
<b>Depth</b>	1.61"	1.33"	1.61"	1.32"	1.61"	1.56"	1.81"	1.13"