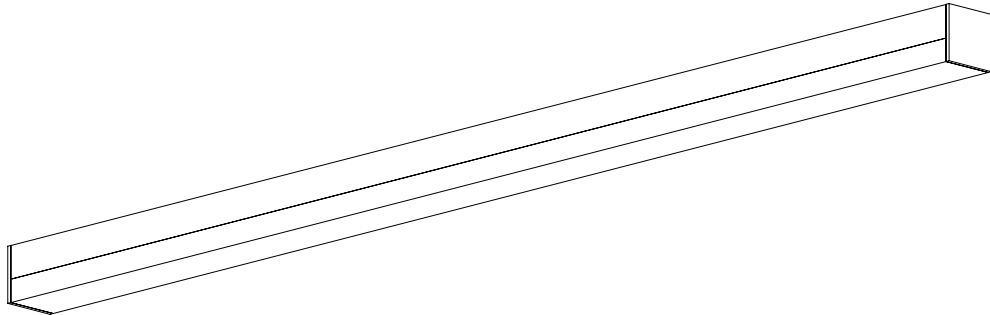


Installation Instructions for Clareo Surface

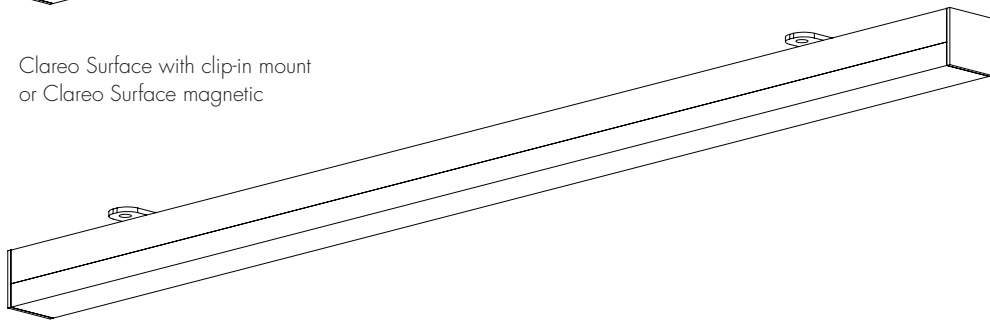
Models CLS-XX & CLQ-XX



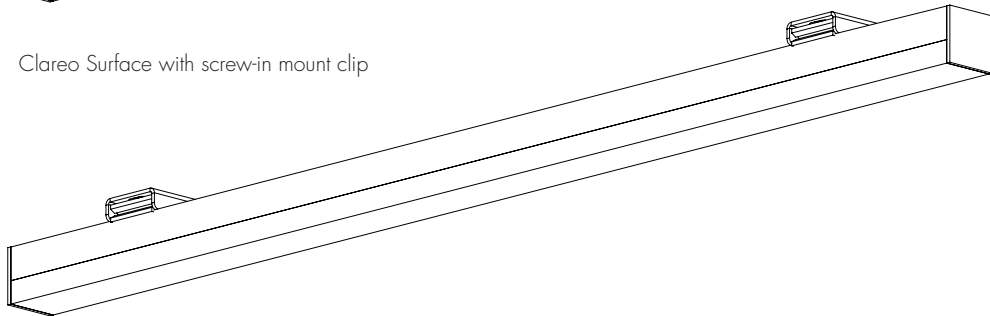
7777 Merrimac Ave
Niles, IL 60714
T 224.333.6033
F 224.757.7557
info@luminii.com
www.luminii.com



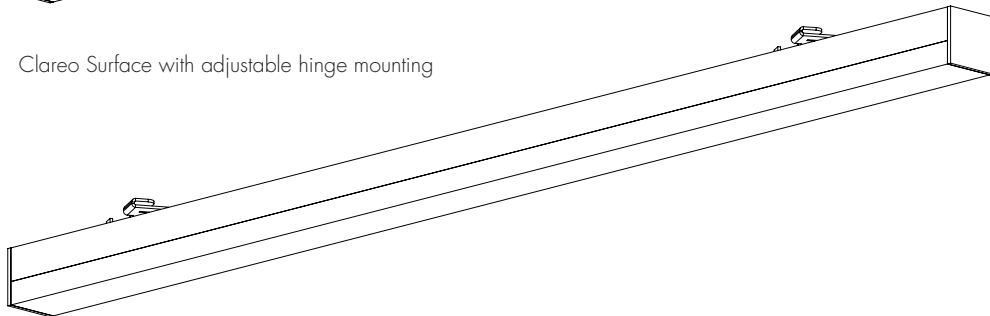
Clareo Surface with clip-in mount
or Clareo Surface magnetic



Clareo Surface with screw-in mount clip



Clareo Surface with adjustable hinge mounting



Clareo Surface with t-bar mounting clips

Instruction page index:

Clip-in installation	2
Screw-in installation	3
Magnetic installation	4
Adjustable hinge mounting installation	5
T-bar clip mounting installation	6
Power feed layout guide	7

Clareo Surface - Installation Instructions

Models CLS-XX & CLQ-XX



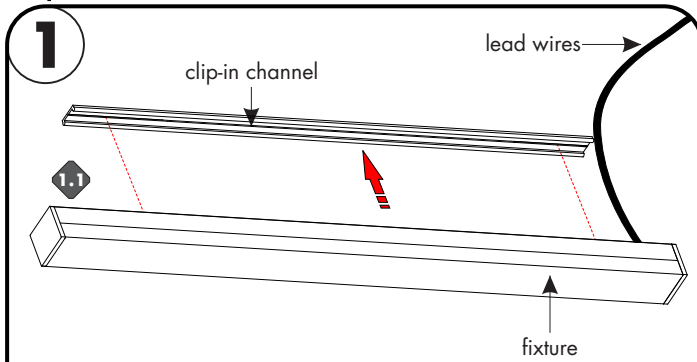
7777 Merrimac Ave
Niles, IL 60714
T 224.333.6033
F 224.757.7557
info@luminii.com
www.luminii.com



Please read all instructions prior to installation and keep for future reference!

1. PRODUCT TO BE INSTALLED BY A QUALIFIED ELECTRICIAN.
2. USE ONLY WITH CLASS 2 POWER UNIT
3. 24 VOLTS DC
4. SUITABLE FOR DAMP LOCATIONS
5. SURFACE MOUNT ONLY
6. SUITABLE FOR INSTALLATION WITHIN THE CLOSET STORAGE SPACE
7. INHERENTLY PROTECTED

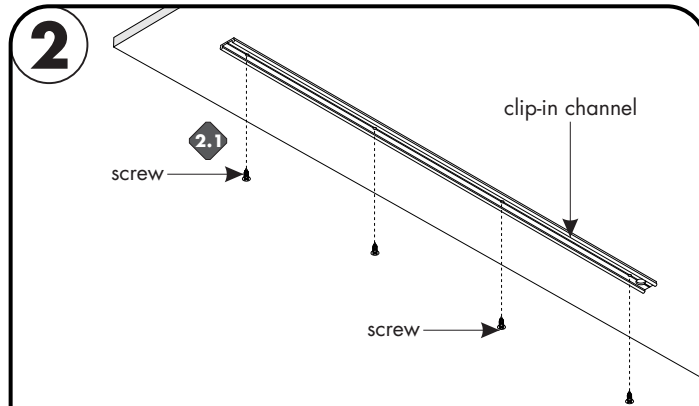
Clip-in installation



Note: Refer to the power supply installation instruction for additional information.

Note: More than one person is recommended for this installation.

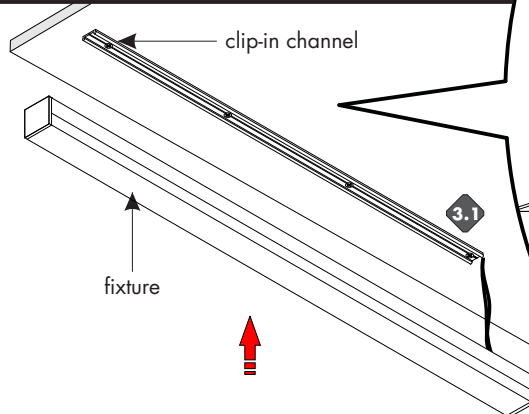
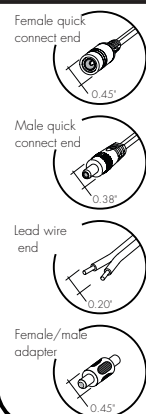
1.1 Carefully remove the clip-in channel from the back of the fixture. Clip-in channel is 1/2" shorter than the fixture for wire management.



2.1 Determine the location of the fixture. Then secure the clip-in channel to the surface with the provided mounting screws. When installing the clip-in channel take into consideration the 1/2" shorter per wire lead/connector.

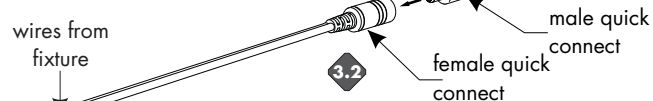
2.2 Install mounting screws every 6 inches to the center of the mounting channel.

3.1 Follow connector dimensions below and drill hole through surface. Insert wire lead/connector through surface & snap fixture into the mounting channel to secure in place.



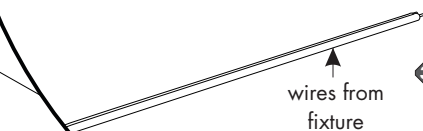
3.2 Follow one of the two options to connect the fixture to the power supply.

Option 1- Secure female quick connect to male quick connect. Feed male quick connect wire through conduit to power supply.

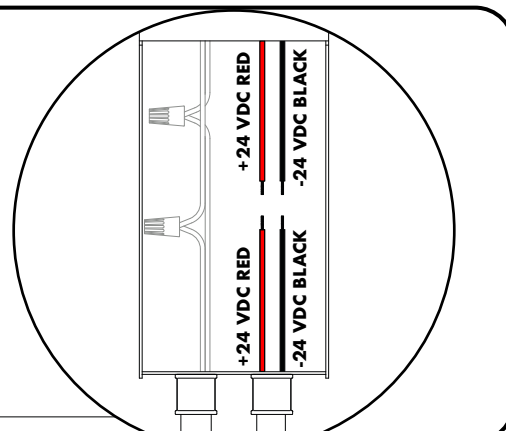
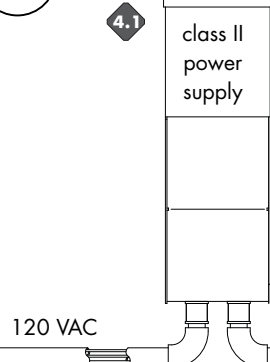


OR

Option 2- Feed wire whip to the power supply.



4.1 Connect +24 VDC red wire from the fixture to the power supply +24 VDC red wire with a wire nut. Connect -24VDC black wire from the fixture to power supply -24VDC black wire with a wire nut.



Clareo Surface - Installation Instructions

Models CLS-XX & CLQ-XX



7777 Merrimac Ave
Niles, IL 60714
T 224.333.6033
F 224.757.7557
info@luminii.com
www.luminii.com



Please read all instructions prior to installation and keep for future reference!

1. PRODUCT TO BE INSTALLED BY A QUALIFIED ELECTRICIAN.
2. USE ONLY WITH CLASS 2 POWER UNIT
3. 24 VOLTS DC
4. SUITABLE FOR DAMP LOCATIONS
5. SURFACE MOUNT ONLY
6. SUITABLE FOR INSTALLATION WITHIN THE CLOSET STORAGE SPACE
7. INHERENTLY PROTECTED

Page 3 of 7

Screw-in installation

1

1.1 Install the screw-in brackets 4" from each end and 30" in between the fixtures. Line up each screw-in bracket to the back on the fixture & insert the edge of the clip into the fixture. Then rotate and push bracket in until you feel a click. Followed by tightening the set screw using the Allen wrench (provided). Repeat for the remaining brackets.

2

Note: Prior to installation all 24VDC wires must be present near fixture. Refer to the power supply installation instruction for additional information.
Note: More than one person is recommended for this installation.

2.1 Determine the location of the fixture. Then secure the fixture to the surface using the provided mounting screws.

3

3.1 Follow one of the two options to connect the fixture to the power supply.

Option 1- Secure female quick connect to male quick connect. Feed male quick connect wire through conduit to power supply.

OR

Option 2- Feed wire whip to the power supply.

4

4.1 Connect +24 VDC red wire from the fixture to the power supply +24 VDC red wire with a wire nut. Connect -24VDC black wire from the fixture to power supply -24VDC black wire with a wire nut.

Clareo Surface - Installation Instructions

Models CLS-XX & CLQ-XX



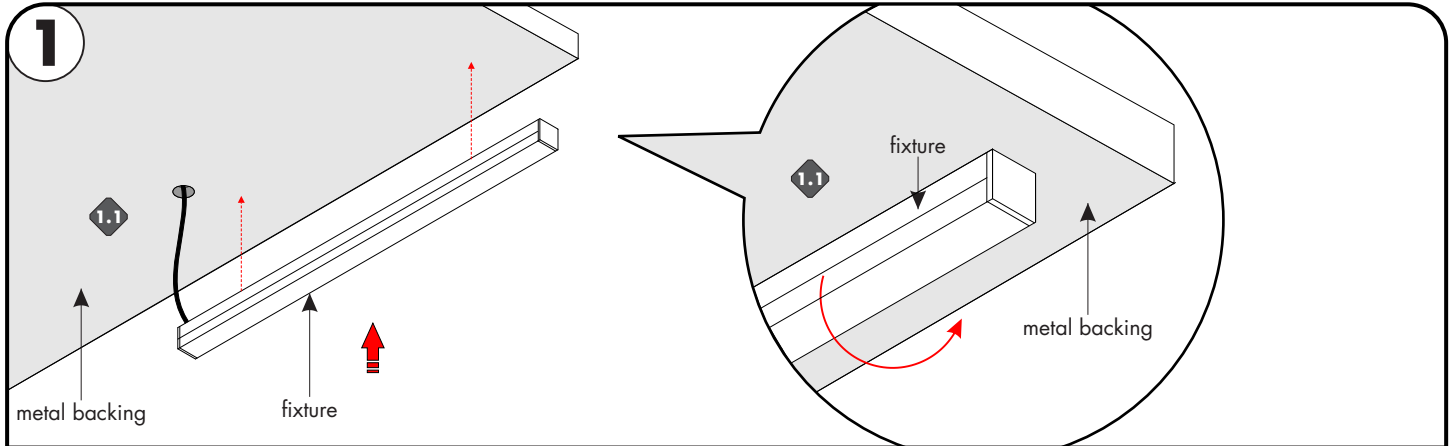
7777 Merrimac Ave
Niles, IL 60714
T 224.333.6033
F 224.757.7557
info@luminii.com
www.luminii.com



Please read all instructions prior to installation and keep for future reference!

1. PRODUCT TO BE INSTALLED BY A QUALIFIED ELECTRICIAN.
2. USE ONLY WITH CLASS 2 POWER UNIT
3. 24 VOLTS DC
4. SUITABLE FOR DAMP LOCATIONS
5. SURFACE MOUNT ONLY
6. SUITABLE FOR INSTALLATION WITHIN THE CLOSET STORAGE SPACE
7. INHERENTLY PROTECTED

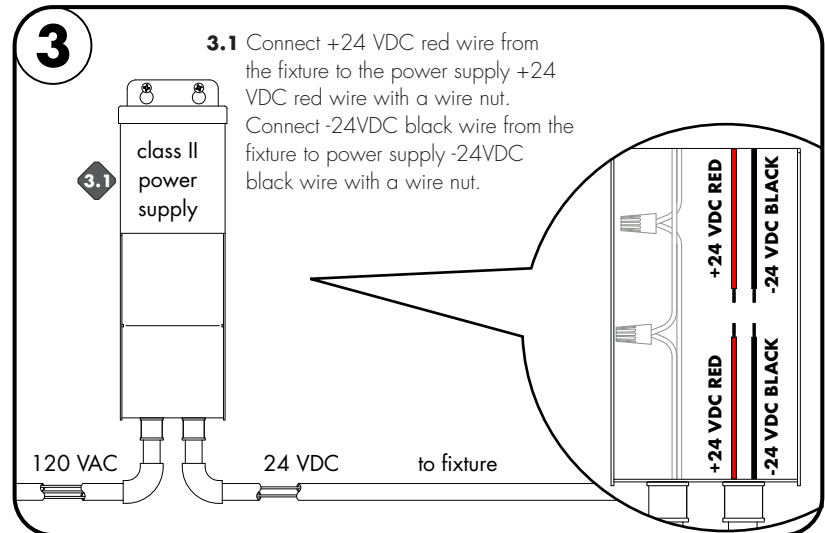
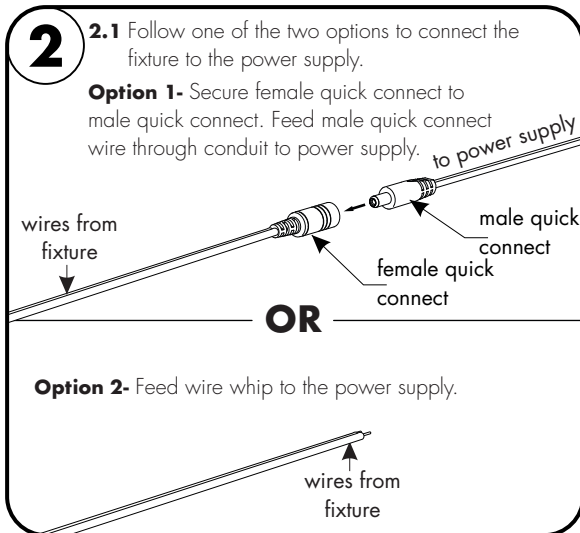
Magnetic installation



Note: Prior to installation all 24VDC wires must be present near fixture. Refer to the power supply installation instruction for additional information.

Note: More than one person is recommended for this installation.

- 1.1 Determine the location of the fixture. Must be made of steel or a ferrous metal. Clean the surface area thoroughly from any debris. Snap the fixture onto the metal surface. If necessary fixture can easily be removed by rotating off the surface and repositioning correctly.



Clareo Surface - Installation Instructions

Models CLS-XX & CLQ-XX



7777 Merrimac Ave
Niles, IL 60714
T 224.333.6033
F 224.757.7557
info@luminii.com
www.luminii.com



Please read all instructions prior to installation and keep for future reference!

1. PRODUCT TO BE INSTALLED BY A QUALIFIED ELECTRICIAN.
2. USE ONLY WITH CLASS 2 POWER UNIT
3. 24 VOLTS DC
4. SURFACE MOUNT ONLY
5. SUITABLE FOR WET LOCATIONS, MUST USE APPROPRIATE WEATHERPROOF RATED WIRE CONNECTORS.
6. SUITABLE FOR INSTALLATION WITHIN THE CLOSET STORAGE SPACE
7. INHERENTLY PROTECTED

Adjustable hinge installation

1

1.1

1.1 Slightly loosen both screws on the sides of the hinge bracket. Rotate the fixture to expose mounting hole.

2

Note: Prior to installation all 24VDC wires must be present near fixture. Refer to the power supply installation instruction for additional information.

Note: More than one person is recommended for this installation.

2.1 Determine the location of the fixture. Then secure the fixture to the surface using the provided mounting screws.

2.2 Rotate the fixture to the desired angle then tighten the side screws to secure.

2 **2.1** Follow one of the two options to connect the fixture to the power supply.

Option 1- Secure female quick connect to male quick connect. Feed male quick connect wire through conduit to power supply.

OR

Option 2- Feed wire whip to the power supply.

4 **4.1** Connect +24 VDC red wire from the fixture to the power supply +24 VDC red wire with a wire nut. Connect -24VDC black wire from the fixture to power supply -24VDC black wire with a wire nut.

Clareo Surface - Installation Instructions

Models CLS-XX & CLQ-XX



7777 Merrimac Ave
Niles, IL 60714
T 224.333.6033
F 224.757.7557
info@luminii.com
www.luminii.com



Please read all instructions prior to installation and keep for future reference!

1. PRODUCT TO BE INSTALLED BY A QUALIFIED ELECTRICIAN.
2. USE ONLY WITH CLASS 2 POWER UNIT
3. 24 VOLTS DC
4. SURFACE MOUNT ONLY
5. SUITABLE FOR WET LOCATIONS, MUST USE APPROPRIATE WEATHERPROOF RATED WIRE CONNECTORS.
6. SUITABLE FOR INSTALLATION WITHIN THE CLOSET STORAGE SPACE
7. INHERENTLY PROTECTED

T-Bar clip installation

1

fixture

t-bar clip

1.1

1.1

Rotate to secure in place

t-bar clip

track

Note: Prior to installation all 24VDC wires must be present near fixture. Refer to the power supply installation instruction for additional information.

Note: More than one person is recommended for this installation.

1.1 Align the fixture t-bar clips to the track. Followed by rotating, then snapping the t-bar clips into the track to secure in place.

2

2.1 Follow one of the two options to connect the fixture to the power supply.

Option 1- Secure female quick connect to male quick connect. Feed male quick connect wire through conduit to power supply.

wires from fixture

to power supply

male quick connect

female quick connect

OR

Option 2- Feed wire whip to the power supply.

wires from fixture

3

3.1 Connect +24 VDC red wire from the fixture to the power supply +24 VDC red wire with a wire nut. Connect -24VDC black wire from the fixture to power supply -24VDC black wire with a wire nut.

class II power supply

120 VAC

24 VDC to fixture

+24 VDC RED

-24 VDC BLACK

+24 VDC RED

-24 VDC BLACK

Clareo Surface - Installation Instructions

Models CLS-XX & CLQ-XX



7777 Merrimac Ave
Niles, IL 60714
T 224.333.6033
F 224.757.7557
info@luminii.com
www.luminii.com

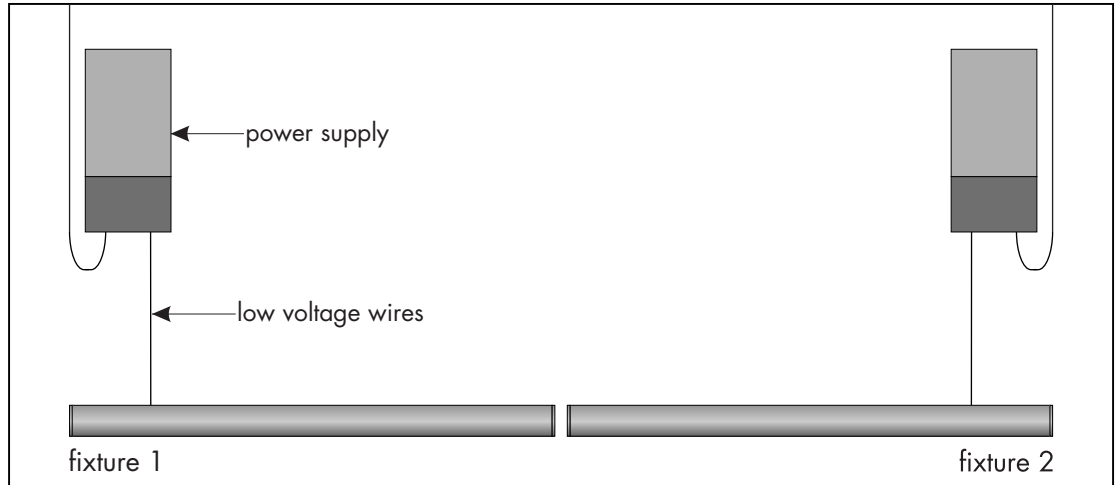


Please read all instructions prior to installation and keep for future reference!

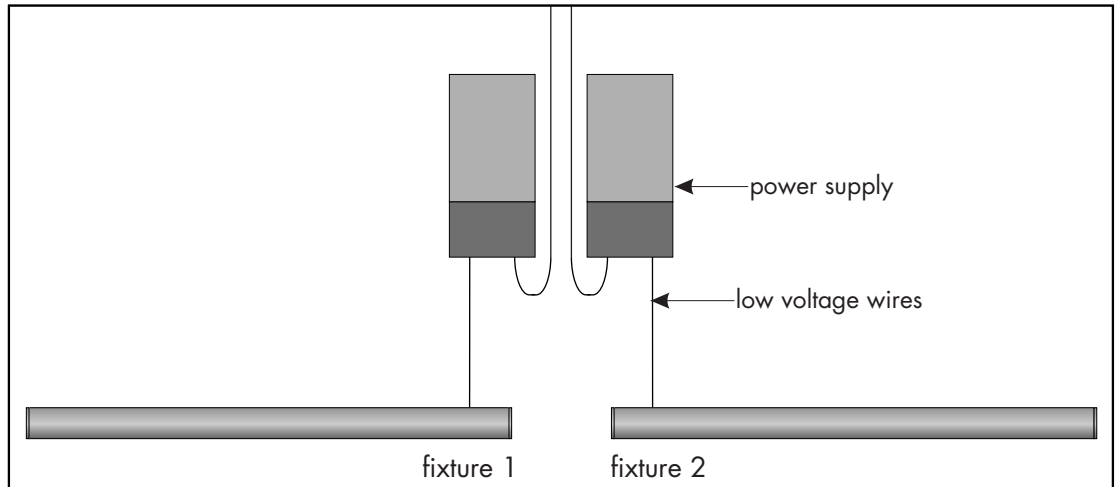
1. PRODUCT TO BE INSTALLED BY A QUALIFIED ELECTRICIAN.
2. USE ONLY WITH CLASS 2 POWER UNIT
3. 24 VOLTS DC
4. SUITABLE FOR DAMP LOCATIONS
5. SURFACE MOUNT ONLY
6. SUITABLE FOR INSTALLATION WITHIN THE CLOSET STORAGE SPACE
7. INHERENTLY PROTECTED

multiple powerfeed layouts

power supplies at the end of the run



power supplies in the middle of the run



consecutive layout, NOT RECOMMENDED

