



Features

- 24VDC Class 2 fixtures made to order up to 144"
- Comes with 8ft silver adjustable cable and white finish canopy
- Vibrant colors with R9 values up to 98
- Single micro binned LEDs +/- 30 CCT
- Dims with minimal color shift
- Class 2 listed for damp locations
- 5 Year warranty




Finish options




 Silver anodized



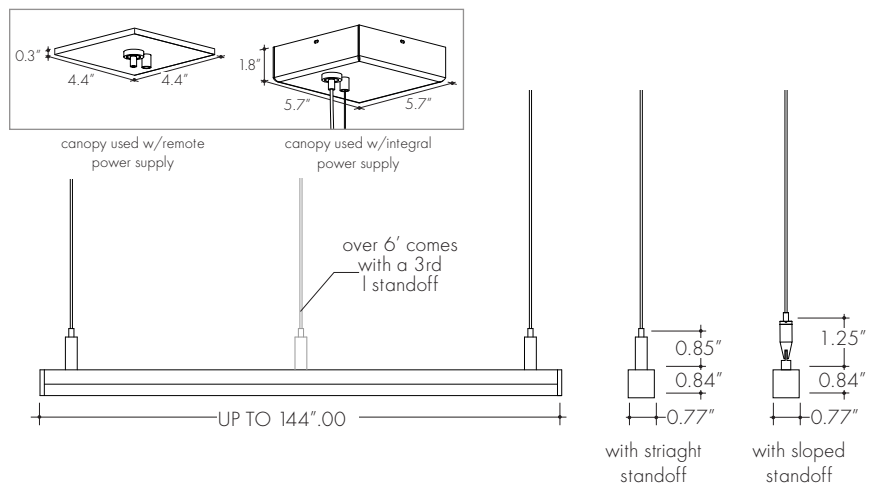
 Black powder coated



 Bronze powder coated

 White powder coated

Profile dimensions



Technical information

OUTPUT OPTIONS

Output	Lumens at 3000K	Average power consumption at 4'	Lumens / Watt	Maximum length (per 96W power supply)
HO (LL36X2)	346 lm/ft	6.5 W/ft	53 lm/W	144"
VHO (LL54X2)	511 lm/ft	10.4 W/ft	49 lm/W	120"

CCT INFO/LUMEN MULTIPLIER

TM-30-15

Color temperature	Multiplier (reference - 3000K)	CRI	R _f	R _g
2200K	0.87	86	87	98
2400K	0.73	98	95	102
2700K	0.81	97	95	101
2900K	0.86	97	94	101
3000K	1.00	91	89	98
3500K	1.05	94	90	102
4100K	1.28	94	86	96

Ordering code

MODEL	LENGTH	CCT	OUTPUT	LENS	STANDOFF TYPE	FINISH	POWER FEED
CLS - Clareo S	12" - 144" 4" increments	22K - 2200 K 24K - 2400 K 27K - 2700 K 29K - 2900 K 30K - 3000 K 35K - 3500 K 41K - 4100 K	HO - High VHO - Very High	SF - Square Frosted	S - Striight P - Sloped	SA - Silver BK - Black BZ - Bronze WH - White <small>(BK,BZ,WH finishes will have an upcharge and require longer lead times)</small>	R <small>R - Remote power supply (select on page 3)</small>

* If using these powerfeed options, reference power consumption chart on page 2, to not overload the system wattage.

*INT120 - Lutron Hi-Lume A Series ELV dimming, Integral power supply 120VAC, MAX 40W, only up to 96" (VHO) with 2 integral power supplies

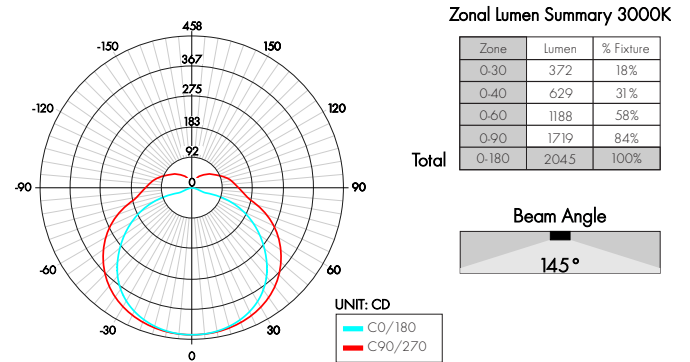
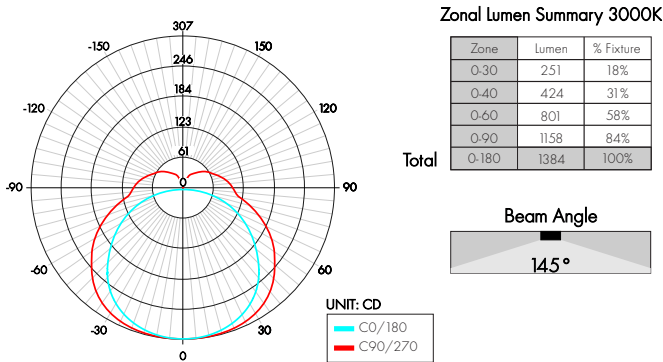
*INT277 - LTF ELV dimming, Integral power supply 277VAC, MAX 60W only up to 120" (VHO) with 2 integral power supplies

*INTECO - Lutron Hi-Lume A Series L3D Integral power supply 120-277VAC Ecosystem, MAX 40W, only up to 96" (VHO) with 2 integral power supplies

Photometry

CLS-48-30K-HO-XX

CLS-48-30K-VHO-XX



Power consumption per fixture length

Based on operation with PSD series of power supplies.



Nominal Length	HO			VHO		
	Actual Length	W/ft	Total wattage	Actual Length	W/ft	Total wattage
12"	13-2/16"	6.80	6.8	13-1/16"	10.80	10.8
16"	17 "	6.78	8.9	17 "	10.73	13.8
20"	21 "	6.76	11.5	21 "	10.67	16.8
24"	24-14/16"	6.75	13.5	24-15/16"	10.60	19.8
28"	28-13/16"	6.72	15.8	28-13/16"	10.50	23.5
32"	32-13/16"	6.69	17.9	32-13/16"	10.40	27.2
36"	36-11/16"	6.65	19.95	36-12/16"	10.30	30.9
40"	40-10/16"	6.62	22	40-11/16"	10.29	34.3
44"	44-10/16"	6.59	24	44-10/16"	10.28	37.7
48"	48-9/16"	6.55	26.2	48-9/16"	10.28	41.1
52"	52-8/16"	6.50	28	53-13/16"	10.27	44.6
56"	56-7/16"	6.45	30	57-12/16"	10.26	48.1
60"	60-6/16"	6.40	32	61-11/16"	10.25	51.6
64"	64-5/16"	6.37	34	65-10/16"	10.23	55.5
68"	70-3/16"	6.34	35.5	69-9/16"	10.22	59
72"	74-2/16"	6.30	37.8	73-8/16"	10.20	63.2
76"	78-1/16"	6.27	39.66	77-7/16"	10.17	66.2
80"	82-1/16"	6.24	41.5	81-7/16"	10.14	69.12
84"	85-15/16"	6.20	43.4	85-6/16"	10.10	72.1
88"	89-14/16"	6.17	45.2	89-4/16"	10.00	74.5
92"	93-13/16"	6.14	47	93-3/16"	9.96	76.9
96"	97-12/16"	6.10	48.8	97-3/16"	9.90	79.4
100"	101-12/16"	6.07	50.5	101-2/16"	9.87	82.3
104"	105-10/16"	6.04	52.3	105-1/16"	9.83	85.2
108"	109-10/16"	6.00	54	109 "	9.80	88.1
112"	113-9/16"	5.98	55.8	112-15/16"	9.77	90.7
116"	117-7/16"	5.97	57.7	116-14/16"	9.73	93.3
120"	121-7/16"	5.95	59.5	120-14/16"	9.70	96
124"	125-6/16"	5.92	61.1			
128"	129-4/16"	5.89	62.7			
132"	133-4/16"	5.85	64.35			
136"	137-3/16"	5.83	66			
140"	141-2/16"	5.81	67.9			
144"	145-1/16"	5.80	69.6			

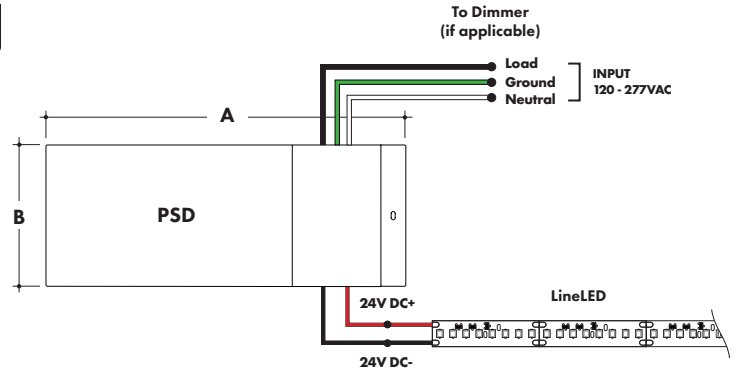
Power Supply

See fixture and power supply instructions & spec sheet for wiring information. Dimming possible in select models - view Luminii website for list of compatible dimmers.

Magnetic Low Voltage Dimming Power Supplies

MODEL	POWER	OUTPUT	INPUT
PSD	48	24	
PSD - PSD Series dims down to 0%	48 - 48 Watt 96 - 96 Watt 288 - 288 Watt (3 x 96Watt)	24 - 24 VDC	Blank - 120 V 240 - 240 V 277 - 277 V

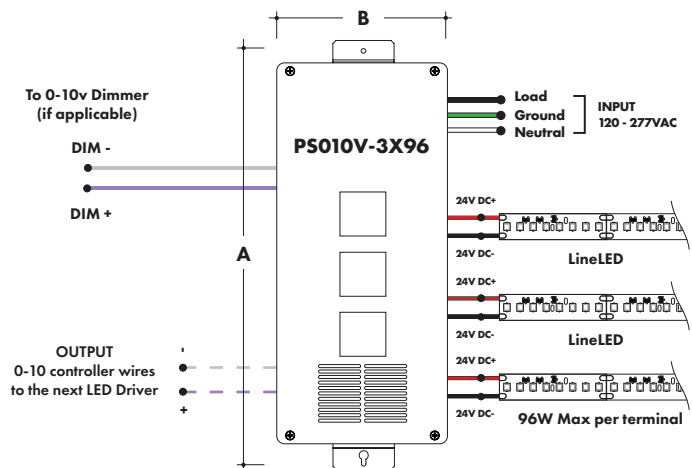
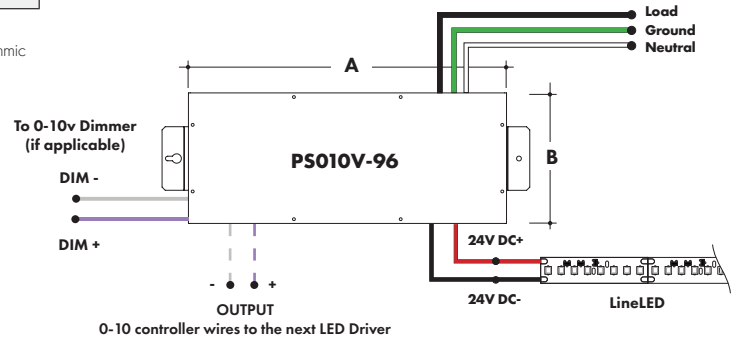
MODELS	PSD 48	PSD 96	PSD 288
A Length	11.25"	11.25"	13.06"
B Width	3.42"	3.42"	8.42"
Depth	3.42"	3.27"	4.47"



0-10V Dimming Power Supplies

MODEL	POWER	OUTPUT	DIMMING
PS010V	96	24	LIN
PS010V - 0-10V Power Supply dims down to 0%	96 - 96 Watt 3X96 - 3 X 96 Watt	24 - 24 VDC	LIN - Linear LOG - Logarithmic

MODELS	96W	3X96
A Length	14.40"	15.75"
B Width	5.20"	6.62"
Depth	2.60"	4.95"



Power Supply

See fixture and power supply instructions & spec sheet for wiring information. Dimming possible in select models - view Luminii website for list of compatible dimmers.

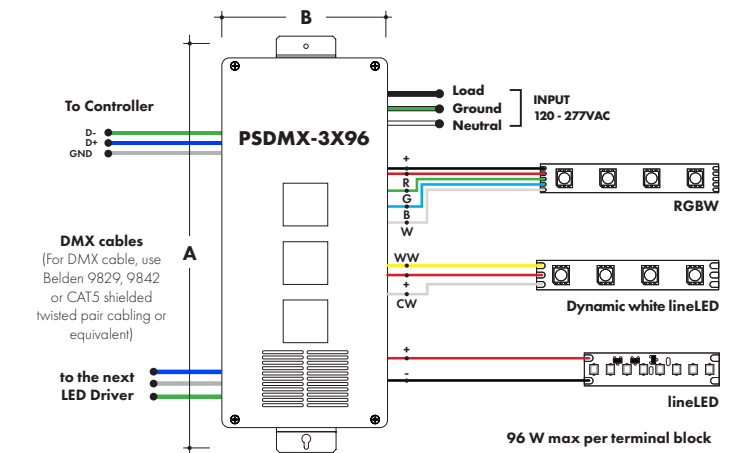
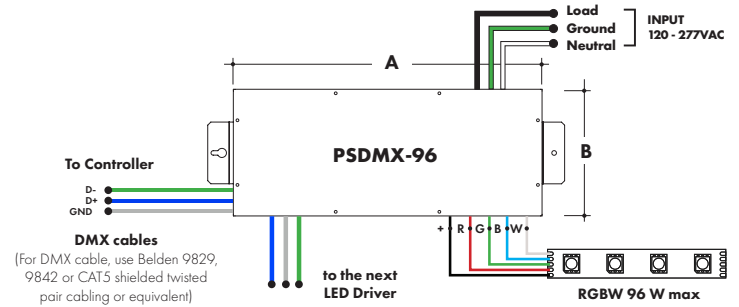
DMX Dimming Power Supplies

MODEL	POWER	OUTPUT
PSDMX	96	24

PSDMX - DMX Power Supply 96 - 96 Watt 24 - 24 VDC
 3X96 - 3 X 96 Watt

Features eldoLED's LINEARdrive configurable dimmable drivers

MODELS	96W	3X96
A Length	14.40"	15.75"
B Width	5.20"	6.62"
Depth	2.60"	4.95"



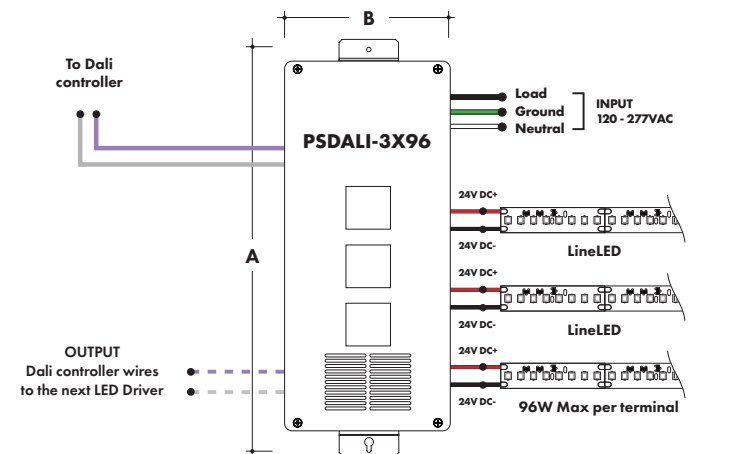
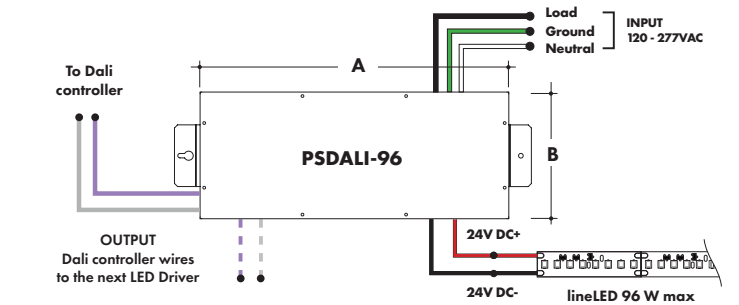
DALI Dimming Power Supplies

MODEL	POWER	OUTPUT
PSDALI	96	24

PSDALI - DALI Power Supply 96 - 96 Watt 24 - 24 VDC
 dims down to 0% 3X96 - 3 X 96 Watt

Features eldoLED's LINEARdrive configurable dimmable drivers

MODELS	96W	3X96
A Length	14.40"	15.75"
B Width	5.20"	6.62"
Depth	2.60"	4.95"



Power Supply

See fixture and power supply instructions & spec sheet for wiring information. Dimming possible in select models - view Luminii website for list of compatible dimmers.

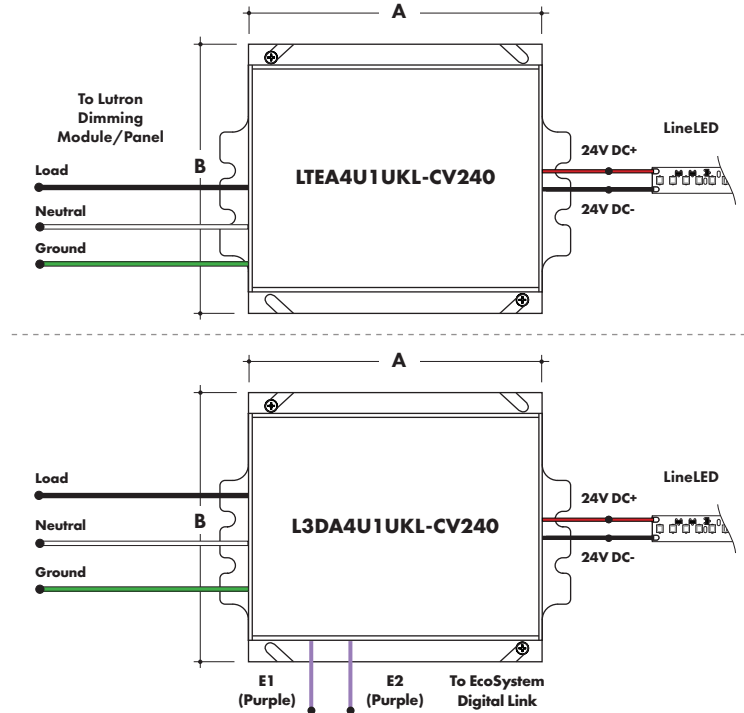


Luminii is a Lutron OEM Advantage Partner

MODEL	MODEL
LTEA4U1UKL-CV240	L3DA4U1UKL-CV240

Lutron - HiLume™ 1% 2-wire LED Driver (120V forward phase only) HiLume™ 1% EcoSystem Voltage LED driver

MODELS	LTEA41UKL-CV240	L3DA4U1UKL-CV240
A Length	4.89"	4.98"
B Width	4.00"	4.00"
Depth	2.62"	2.62"

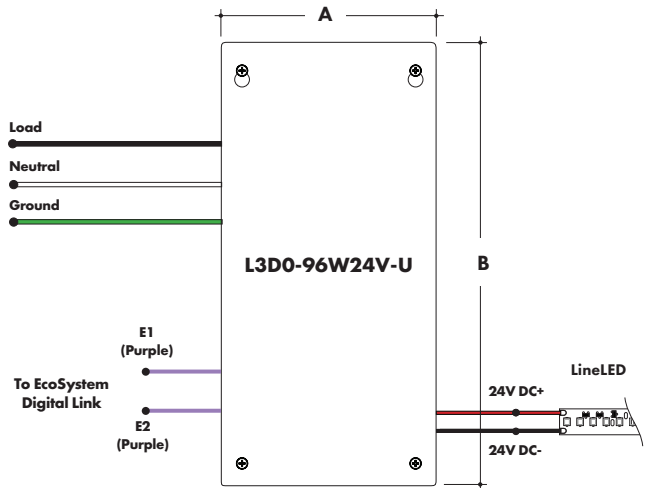


Luminii is a Lutron OEM Advantage Partner

MODEL
L3D0-96W24V-U

HiLume™ 0.1% EcoSystem Voltage LED Driver with Soft-On, Fade-to-Black™

MODELS	L3D0
A Length	10.50"
B Width	5.50"
Depth	2.00"

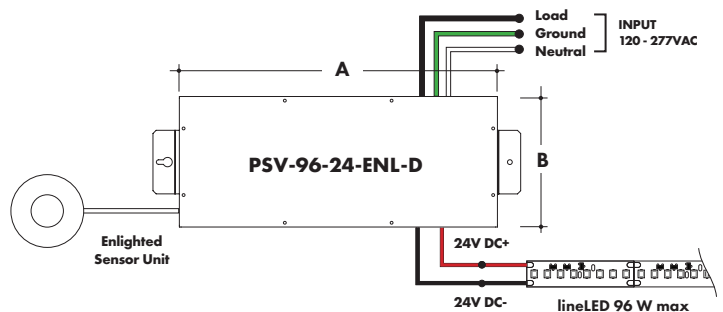


Enlighted Enabled Dimming Power Supplies:

MODEL	POWER	OUTPUT	DIMMING	LOCATION
PSV	96	24	ENL	D

PSV - PSV Series 96 - 96 Watt 24 - 24 VDC ENL - Enlighted Dimming D - Damp

MODELS	96 W
A Length	14.40"
B Width	5.20"
Depth	2.60"



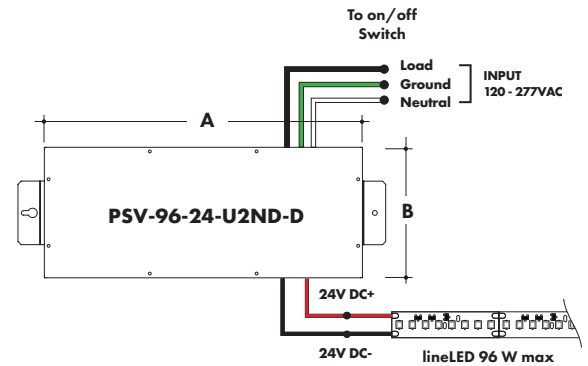
Power Supply

See fixture and power supply instructions & spec sheet for wiring information. Dimming possible in select models - view Luminii website for list of compatible dimmers.

Non-Dimming Power Supply

MODEL	POWER	OUTPUT	DIMMING	LOCATION
PSV	96	24	U2ND	D
PSV - PSV Series	96 - 96 Watt	24 - 24 VDC	U2ND - Non Dimming	D - Damp

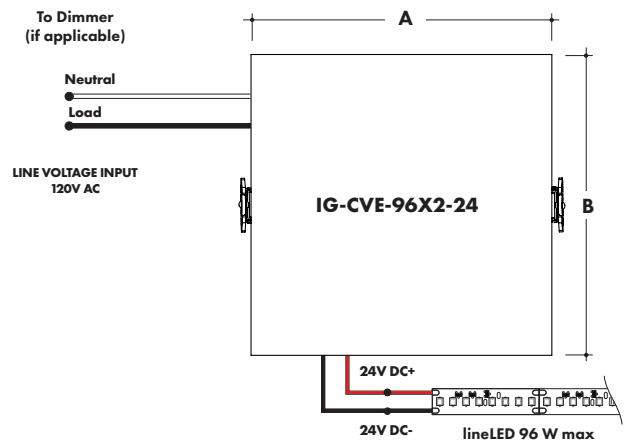
MODELS	96W
A Length	14.40"
B Width	5.20"
Depth	2.60"



In ground, Electronic Low Voltage Dimming Power Supplies

MODEL	POWER	OUTPUT	INPUT
IG	96X2	24	
IG - In ground CVE Series	CVE - ELV Dimming DALI - eidoLED Dali dimming Both dims down to 0.1%	96X2 - 2 X 96 Watt 24 - 24 VDC	Blank - 120 V 277 - 240/277 V

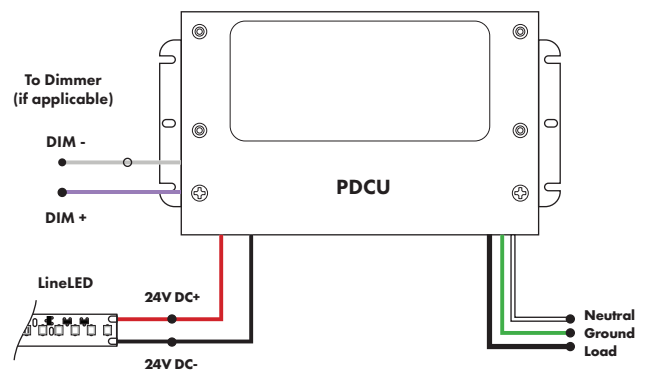
MODELS	Dual Circuit
A Length	8.40"
B Width	8.30"
Depth	8.10"



Universal Power Supply

MODEL	POWER	OUTPUT
PDCU	30	24
PDCU - PDCU Series PDCUe - PDCUe Series	30 - 30 Watt 60 - 60 Watt 96 - 96 Watt 3X96 - 3x96 Watt	24 - 24 VDC

- 0-10V - 1% dimming
- MLV/ELV/TRIAC - 1% dimming



MODELS	PDCU 30W	PDCUe 30W	PDCU 60W	PDCUe 60W	PDCU 96W	PDCUe 96W	PDCU 3X96W	PDCUe 3X96W
A Length	6.50"	6.10"	7.40"	7.93"	8.66"	8.25"	11.85"	9.57"
B Width	3.73"	3.35"	3.73"	3.35"	3.73"	4.10"	4.32"	5.94"
Depth	1.61"	1.33"	1.61"	1.32"	1.61"	1.56"	1.81"	1.13"