

Features

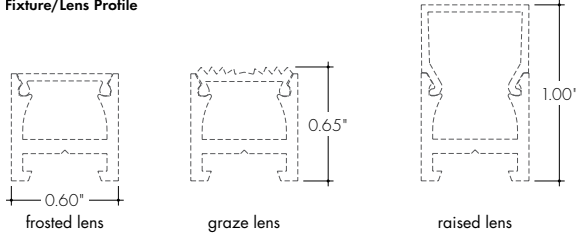
- 24VDC Class 2 fixtures made to order up to 144". Fixtures can be linked up to 35' depending on output
- Suitable for undercabinet, millwork recessed and surface mount applications
- Approved for closet/storage space installation per NEC 410.16(A)(3) and 410.16(C)(5)
- Dot free even illumination achievable with frosted & raised lens with certain outputs
- Vibrant colors with R9 values up to 98
- Single micro binned LEDs +/- 30 CCT
- Dims with minimal color shift
- Class 2 listed for damp locations
- Proprietary strong bond solder method handles up to 50lbs of torque on wire leads and connectors
- 5 Year warranty

Finish Options

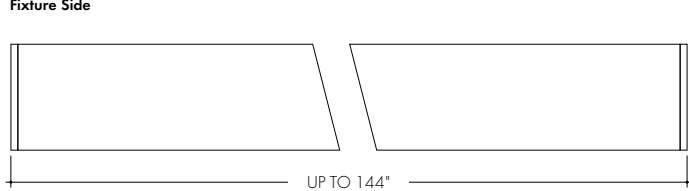
- Silver anodized
- Black powder coated
- Bronze powder coated
- White powder coated

Product Dimensions

Fixture/Lens Profile

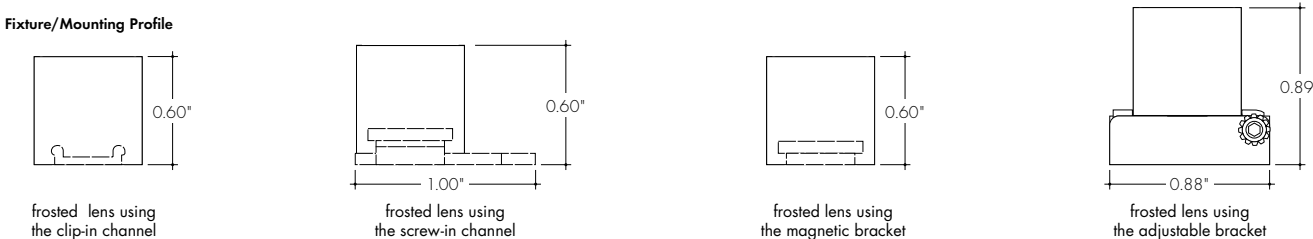


Fixture Side



IC RATED

Fixture/Mounting Profile



RoHS



Technical Information

OUTPUT OPTIONS

Output	Lumens at 3000K (SOHD with frosted lens)	Average power consumption at 4'	Lumens / Watt	Maximum system length Achievable via feed through fixture wiring
SO (LL36)	162 lm/ft	3.2 W/ft	51 lm/W	35'
SOHD (LL72-LO)	148 lm/ft	4.0 W/ft	37 lm/W	24'
HO (LL54)	250 lm/ft	5.2 W/ft	48 lm/W	26'
VHO (LL72)	355 lm/ft	6.5 W/ft	55 lm/W	18'

CCT INFO / LUMEN MULTIPLIER

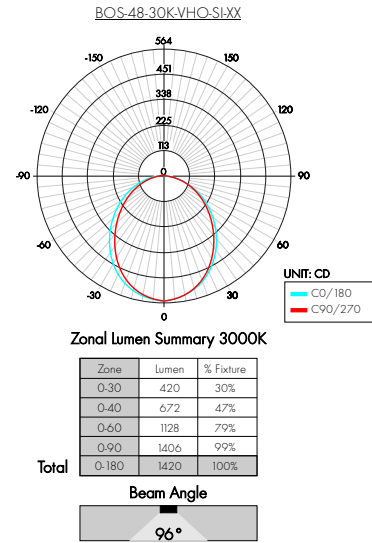
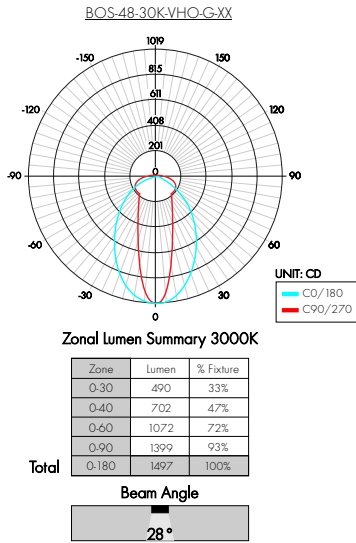
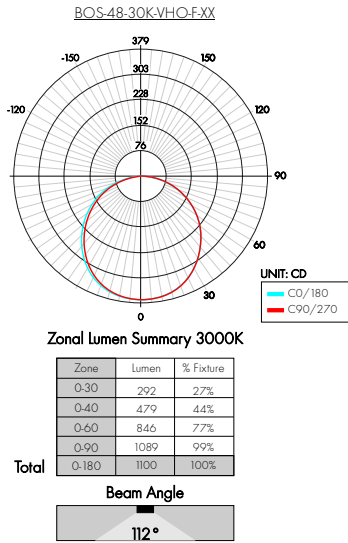
Color Temperature	Multiplier (reference - 3000K)	CRI	R _f	R _g
1900K	0.63	96	94	97
2200K	0.68	96	95	101
2400K	0.72	98	97	101
2700K	0.76	97	96	101
2900K	0.82	98	96	102
3000K	1.00	97	95	104
3500K	1.05	97	94	105
4100K	1.37	97	90	99

TM-30-15

Ordering Code

MODEL	LENGTH	CCT	OUTPUT	LENS	MOUNTING	FINISH	POWER FEED POSITION / TYPE
BOS - Bosca	12" - 144" 4" increments	19K - 1900K 22K - 2200K 24K - 2400K 27K - 2700K 29K - 2900K 30K - 3000K 35K - 3500K 41K - 4100K	SO - Standard SOHD - Standard High Density HO - High VHO - Very High	F - Frosted G - Graze R - Raised	C - Clip-in SC - Screw-in M - Magnetic AH - Adjustable hinge mounting	SA - Silver BK - Black BZ - Bronze WH - White (BK,BZ,WH finishes will have an upcharge and require longer lead times)	E - End B - Back S - Side 1 - 72" wire leads 1X2 - 72" wire leads at both ends 2 - 72" wire leads at one end and quick connect at other 3 - Single quick connect 4 - Dual quick connect

Photometry



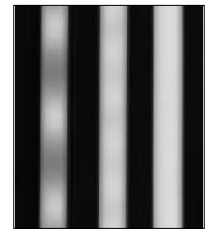
Light Transmission

Lens/Accessory	Percentage Light Transmission
graze lens	100%
raised lens	72%
frosted lens	65%

LED Dotting Per Output/Lens

Output type	Lens Type			
	Clear	Frost	Graze	Raised
SO (LL36)	CD	SD	CD	ND
SOHD (LL72-LO)	CD	ND	CD	ND
HO (LL54)	CD	ND	CD	ND
VHO (LL72)	CD	ND	CD	ND

CD = Clear Dotting
 SD = Slight Dotting
 ND = No Dotting

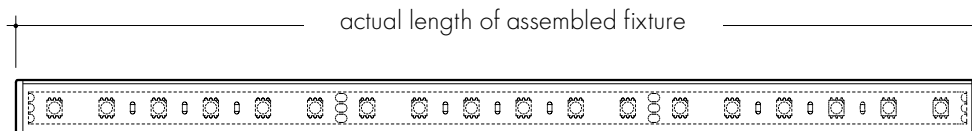


Clear Dotting Slight Dotting NO Dotting

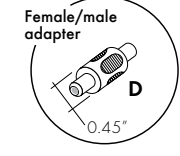
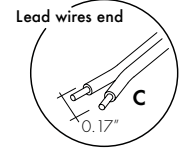
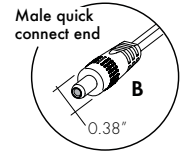
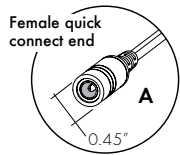
Power Consumption Per Fixture Length

Based on operation with PSD series of power supplies

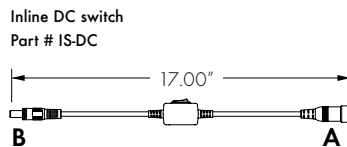
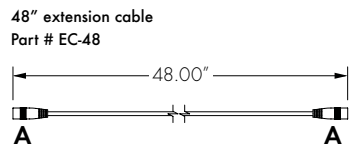
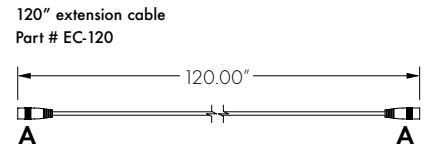
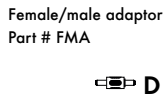
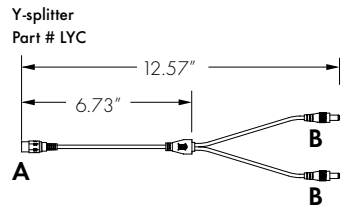
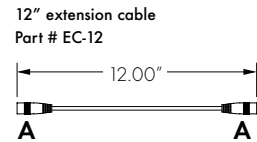
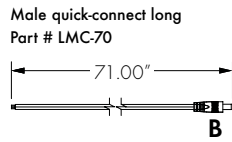
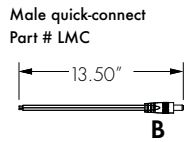
Nominal Length	Actual Length	SO		Actual Length	SOHD		Actual Length	HO		Actual Length	VHO	
		W/ft	Total wattage		W/ft	Total wattage		W/ft	Total wattage		W/ft	Total wattage
12"	12-13/16"	3.25	3.25	12-12/16"	4.20	4.20	12-12/16"	5.35	5.30	12-12/16"	6.75	6.75
16"	16-11/16"	3.25	4.00	16-10/16"	4.23	5.66	16-11/16"	5.33	7.06	16-10/16"	6.75	9.00
20"	20-11/16"	3.25	5.25	20-10/16"	4.27	7.12	20-11/16"	5.31	8.82	20-10/16"	6.75	11.25
24"	24-9/16"	3.25	6.50	24-9/16"	4.30	8.60	24-10/16"	5.30	10.60	24-9/16"	6.75	13.50
28"	28-8/16"	3.25	7.75	28-8/16"	4.20	9.77	28-8/16"	5.28	12.33	28-8/16"	6.75	16.75
32"	32-8/16"	3.25	8.50	32-7/16"	4.10	10.94	32-8/16"	5.26	14.06	32-7/16"	6.75	19.00
36"	36-6/16"	3.25	9.75	36-6/16"	4.00	12.10	36-7/16"	5.25	15.80	36-6/16"	6.65	19.95
40"	40-5/16"	3.25	10.25	41-5/16"	4.00	13.43	40-6/16"	5.23	17.40	41-5/16"	6.65	22.20
44"	44-5/16"	3.20	11.75	45-4/16"	4.00	14.76	44-5/16"	5.21	19.00	45-4/16"	6.65	24.40
48"	48-4/16"	3.20	12.80	49-3/16"	4.00	16.10	48-4/16"	5.20	20.60	49-3/16"	6.55	26.20
52"	52-3/16"	3.20	13.30	53-2/16"	3.97	17.27	53-8/16"	5.18	22.40	53-2/16"	6.55	28.50
56"	56-2/16"	3.20	14.80	57-1/16"	3.95	18.44	57-7/16"	5.16	24.20	57-1/16"	6.55	30.50
60"	60-1/16"	3.20	16.00	61 "	3.92	19.60	61-6/16"	5.15	26.00	61 "	6.45	32.25
64"	64 "	3.20	17.00	64-15/16"	3.89	20.73	65-5/16"	5.13	27.60	64-15/16"	6.45	34.40
68"	69-14/16"	3.15	18.00	68-14/16"	3.86	21.86	69-4/16"	5.11	29.20	68-14/16"	6.45	36.55
72"	73-13/16"	3.15	18.90	72-13/16"	3.83	23.00	73-3/16"	5.10	30.80	72-13/16"	6.40	38.40
76"	77-12/16"	3.15	19.00	76-12/16"	3.80	24.06	77-2/16"	5.08	32.40	76-12/16"	6.40	40.50
80"	81-12/16"	3.15	21.50	80-11/16"	3.83	25.12	81-2/16"	5.06	34.00	80-11/16"	6.40	43.00
84"	85-10/16"	3.15	22.05	84-10/16"	3.74	26.20	85-1/16"	5.05	35.70	84-10/16"	6.25	43.75
88"	89-9/16"	3.15	23.00	88-9/16"	3.73	27.33	88-15/16"	5.03	37.10	88-9/16"	6.25	46.00
92"	93-8/16"	3.10	24.00	92-8/16"	3.71	28.46	92-14/16"	5.01	38.50	92-8/16"	6.25	48.00
96"	97-7/16"	3.10	24.80	97-7/16"	3.70	29.60	96-14/16"	5.00	40.00	97-7/16"	6.15	49.20
100"	101-7/16"	3.10	26.30	101-6/16"	3.67	30.56	100-13/16"	4.98	41.60	101-6/16"	6.15	51.25
104"	105-5/16"	3.05	27.10	105-4/16"	3.64	31.53	104-12/16"	4.96	43.20	105-4/16"	6.15	53.00
108"	109-5/16"	3.05	28.00	109-4/16"	3.61	32.50	108-11/16"	4.95	44.80	109-4/16"	6.00	54.00
112"	113-4/16"	3.05	28.50	113-3/16"	3.59	33.46	112-10/16"	4.93	46.20	113-3/16"	6.00	56.00
116"	117-2/16"	3.05	30.00	117-2/16"	3.56	34.43	116-9/16"	4.91	47.60	117-2/16"	6.00	58.00
120"	121-2/16"	3.00	30.50	121-1/16"	3.54	35.40	120-9/16"	4.90	48.90	121-1/16"	5.90	59.00
124"	125-1/16"	3.00	31.50	125 "	3.52	36.36	124-8/16"	4.88	50.40	125 "	5.90	60.60
128"	128-15/16"	3.00	32.50	128-15/16"	3.50	37.33	128-7/16"	4.86	51.90	128-15/16"	5.90	62.20
132"	132-15/16"	2.95	33.50	132-14/16"	3.48	38.30	132-6/16"	4.85	53.30	132-14/16"	5.80	63.80
136"	136-14/16"	2.95	34.30	136-13/16"	3.46	39.20	136-5/16"	4.83	54.70	136-13/16"	5.80	65.30
140"	140-13/16"	2.95	35.20	140-12/16"	3.44	40.10	140-4/16"	4.81	56.10	140-12/16"	5.80	66.80
144"	144-12/16"	2.90	36.00	144-11/16"	3.42	41.00	145-8/16"	4.80	57.40	144-11/16"	5.70	68.40



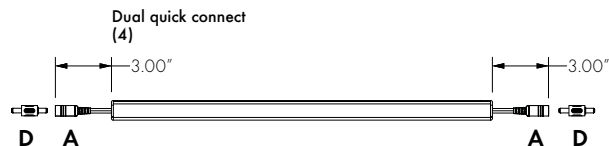
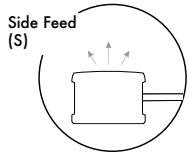
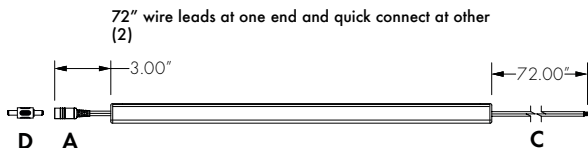
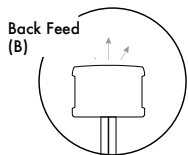
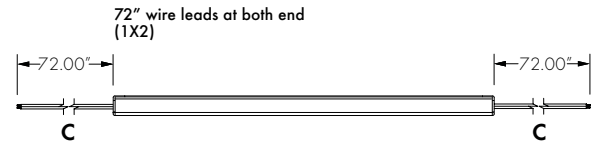
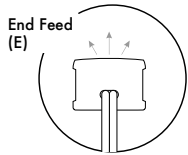
Connectors & Accessories



Linking and extension cable options



Powerfeed Position / Type



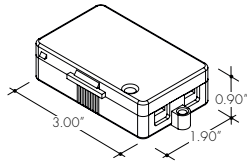
3, and 4 powerfeed options require #LMC to connect to PSD series of power supplies.

Accessories

Splice Box

LVSP-4T-BK

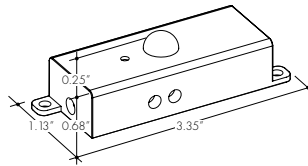
Low voltage, 4 terminal splice box, black



PIR Infrared Occupancy Sensor

OS-DC-F4-BK

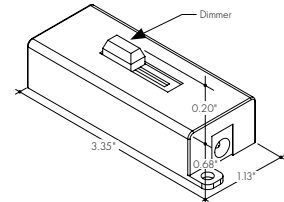
OS-DC-F4-BK - Occupancy Sensor



24VDC Low Voltage In-Line Dimmer Module

DIM-DC-F4-BK

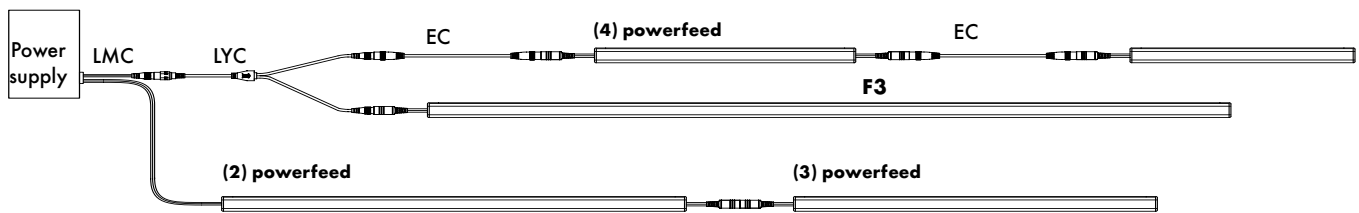
DIM-DC-F4-BK - 24VDC Low Voltage In-Line Dimmer Module



Note: a Male quick connector for input and output is required.

Note: a Male quick connector for input and output is required.

Sample layout



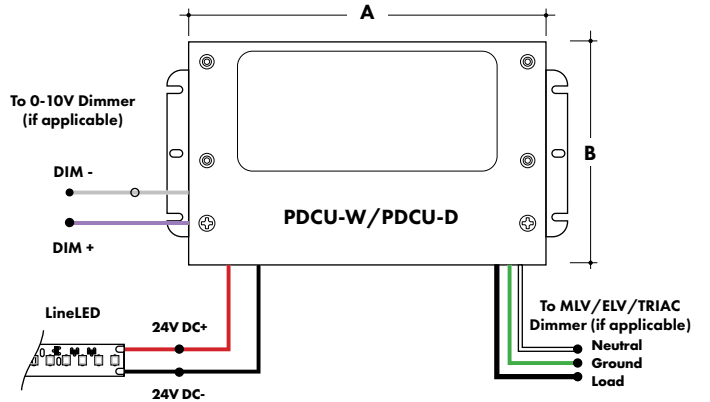
Power Supplies

See Power Supply instructions and spec sheet for wiring information. For a complete list of compatible dimmers, see Compatible Dimming Chart on the Resources page.

Universal Power Supply 120VAC - 277VAC

MODEL	POWER	OUTPUT
PDCU-W - IP66 Wet Series	96 - 96 W 3X96 - 3X96 W	24 - 24 VDC
PDCU-D - IP20 Dry Series	30 - 30 W 60 - 60 W 96 - 96 W 3X96 - 3X96 W	

0-10V dims down to 1%, MLV/ELV/TRIAC dims down to 1%.
For a complete list of compatible dimmers, see [Compatible Dimming Chart](#) on the Resources page.

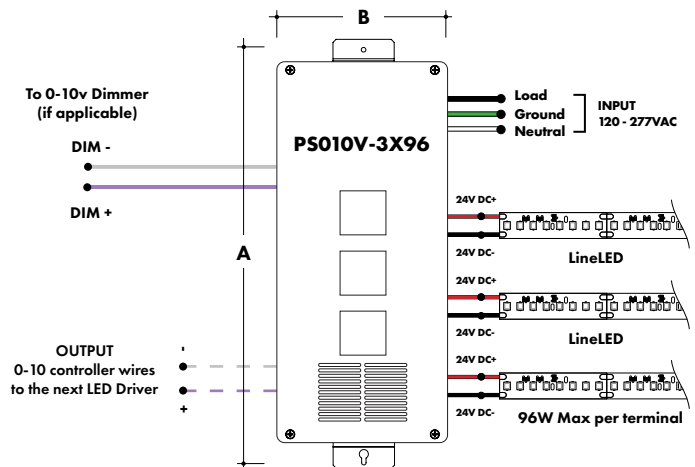
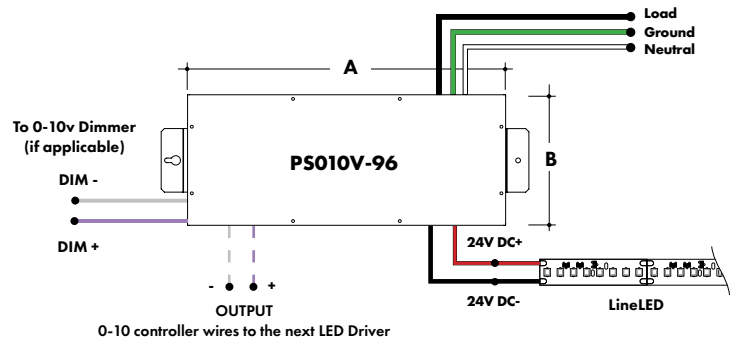


MODELS	PDCU-W 96W	PDCU-W 3X96W	PDCU-D 30W	PDCU-D 60W	PDCU-D 96W	PDCU-D 3X96W
A Length	8.66"	11.85"	6.10"	7.93"	8.25"	9.57"
B Width	3.73"	4.32"	3.35"	3.35"	4.10"	5.94"
Depth	1.61"	1.81"	1.33"	1.32"	1.56"	1.13"

0-10V Dimming Power Supplies 120VAC - 277VAC

MODEL	POWER	OUTPUT	DIMMING
PS010V - 0-10V Power Supply dims down to 1%	96 - 96 Watt 3X96 - 3 X 96 Watt	24 - 24 VDC	LIN - Linear LOG - Logarithmic

MODELS	96W	3X96
A Length	14.40"	15.75"
B Width	5.20"	6.62"
Depth	2.60"	4.95"



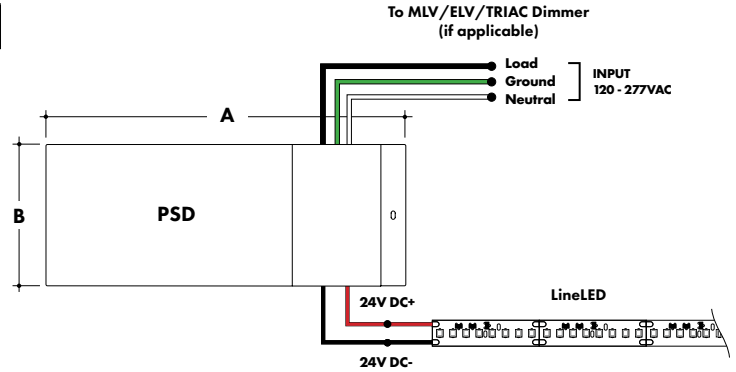
Power Supplies

See Power Supply instructions and spec sheet for wiring information. For a complete list of compatible dimmers, see Compatible Dimming Chart on the Resources page.

Magnetic Low Voltage Dimming Power Supplies

MODEL	POWER	OUTPUT	INPUT
PSD - PSD Series dims down to 0%	48 - 48 Watt 96 - 96 Watt 288 - 288 Watt (3 x 96Watt)	24 - 24 VDC	Blank - 120 V 240 - 240 V 277 - 277 V

MODELS	48W	96W	288W
A Length	11.25"	11.25"	13.06"
B Width	3.42"	3.42"	8.42"
Depth	3.42"	3.27"	4.47"

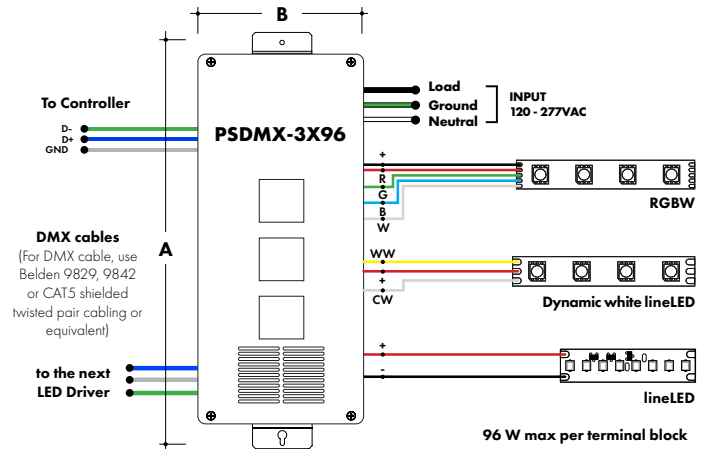
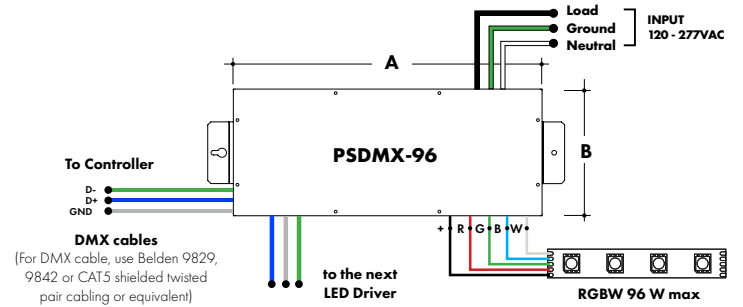


DMX Dimming Power Supplies 120VAC - 277VAC

MODEL	POWER	OUTPUT
PSDMX - DMX Power Supply dims down to 0%	96 - 96 Watt 3X96 - 3 X 96 Watt	24 - 24 VDC

Features eldoLED's LINEARdrive configurable dimmable drivers

MODELS	96W	3X96
A Length	14.40"	15.75"
B Width	5.20"	6.62"
Depth	2.60"	4.95"



Power Supplies

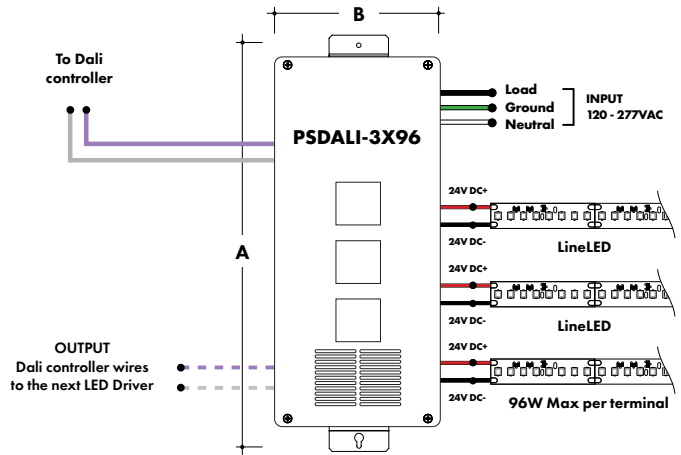
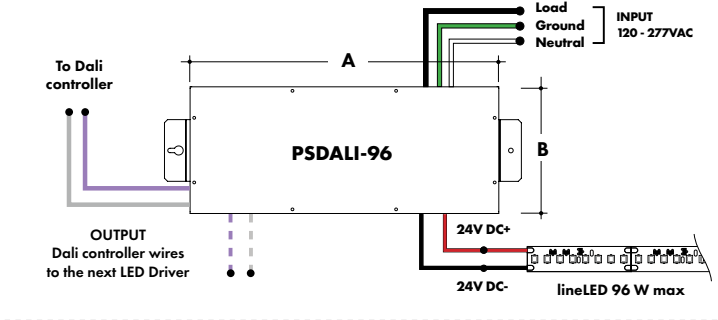
See Power Supply instructions and spec sheet for wiring information. For a complete list of compatible dimmers, see Compatible Dimming Chart on the Resources page.

DALI Dimming Power Supplies 120VAC - 277VAC

MODEL	POWER	OUTPUT
PSDALI - DALI Power Supply dims down to 0%	96 - 96 Watt 3X96 - 3 X 96 Watt	24 - 24 VDC

Features eldoLED's LINEARdrive configurable dimmable drivers

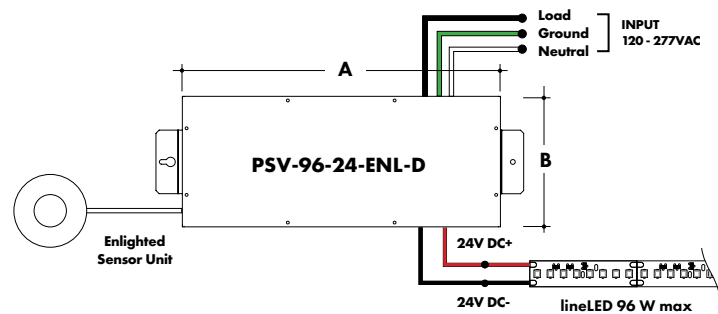
MODELS	96W	3X96
A Length	14.40"	15.75"
B Width	5.20"	6.62"
Depth	2.60"	4.95"



Enlighted Enabled Dimming Power Supplies 120VAC - 277VAC

MODEL	POWER	OUTPUT	DIMMING	LOCATION
PSV - PSV Series	96 - 96 Watt	24 - 24 VDC	ENL - Enlighted Dimming dims down to 0%	D - Damp

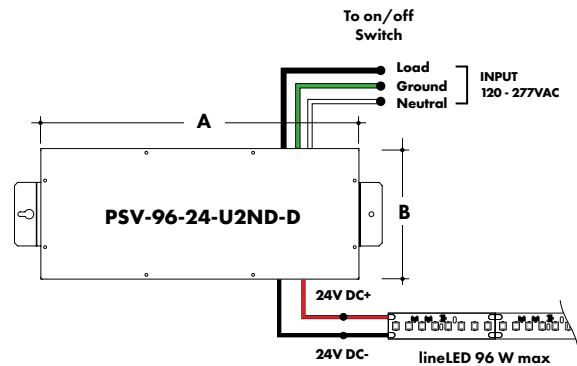
MODELS	96W
A Length	14.40"
B Width	5.20"
Depth	2.60"



Non-Dimming Power Supply 120VAC - 277VAC

MODEL	POWER	OUTPUT	DIMMING	LOCATION
PSV - PSV Series	96 - 96 Watt	24 - 24 VDC	U2ND - Non Dimming	D - Damp

MODELS	96W
A Length	14.40"
B Width	5.20"
Depth	2.60"



Power Supplies

See Power Supply instructions and spec sheet for wiring information. For a complete list of compatible dimmers, see Compatible Dimming Chart on the Resources page.



Luminii is a Lutron OEM Advantage Partner

MODEL

LTEA4U1UKL-CV240

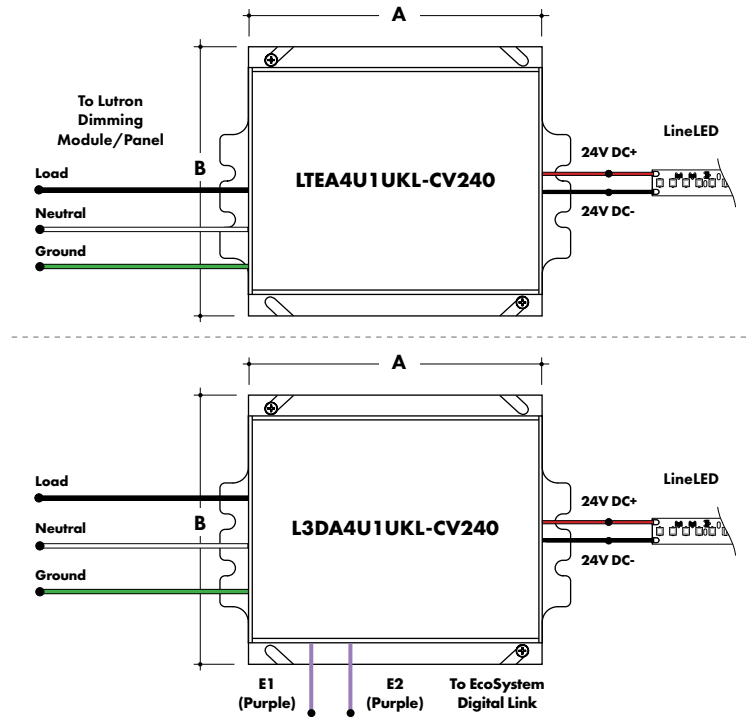
Lutron - HiLume™ 1% 2-wire LED Driver
(120V forward phase only)

MODEL

L3DA4U1UKL-CV240

HiLume™ 1% EcoSystem Voltage LED driver

MODELS	LTEA4U1UKL-CV240	L3DA4U1UKL-CV240
A Length	4.89"	4.98"
B Width	4.00"	4.00"
Depth	2.62"	2.62"



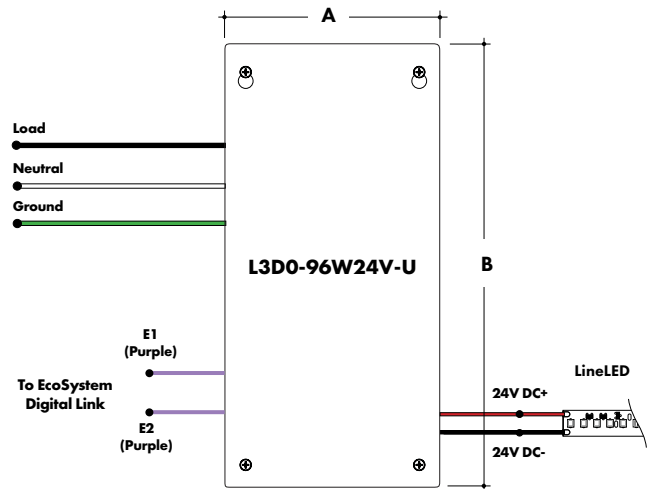
Luminii is a Lutron OEM Advantage Partner

MODEL

L3D0-96W24V-U

HiLume™ 0.1% EcoSystem Voltage LED Driver with Soft-On, Fade-to-Black™

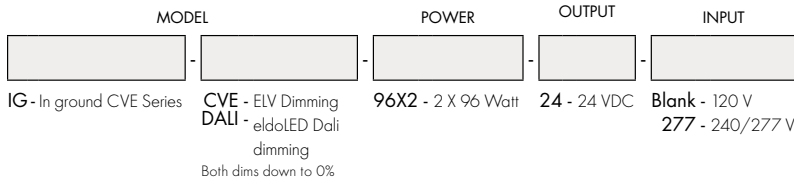
MODELS	L3D0
A Length	10.50"
B Width	5.50"
Depth	2.00"



Power Supplies

See Power Supply instructions and spec sheet for wiring information. For a complete list of compatible dimmers, see [Compatible Dimming Chart](#) on the Resources page.

In-Ground Power Supplies



MODELS	Dual Circuit
A Length	8.40"
B Width	8.30"
Depth	8.10"

