



### Features

- 24VDC Class 2 fixtures made to order up to 144". Fixtures can be linked up to 35' depending on output
- Suitable for undercabinet, millwork recessed and surface mount applications
- Approved for closet/storage space installation per NEC 410.16(A)(3) and 410.16(C)(5)
- Dot free even illumination achievable with frosted & raised lens
- Vibrant colors with R9 values up to 98
- Single micro binned LEDs +/- 30 CCT
- Dims with minimal color shift
- Class 2 listed for damp locations
- Proprietary strong bond solder method handles up to 50lbs of torque on wire leads and connectors
- 5 Year warranty

### Finish options



IC RATED

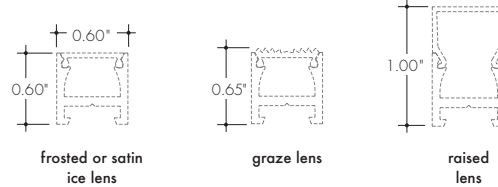
RoHS



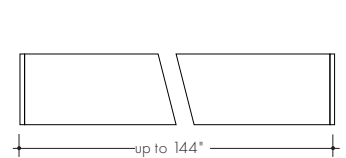
- Silver anodized
- Black powder coated
- Bronze powder coated
- White powder coated

### Profile dimensions

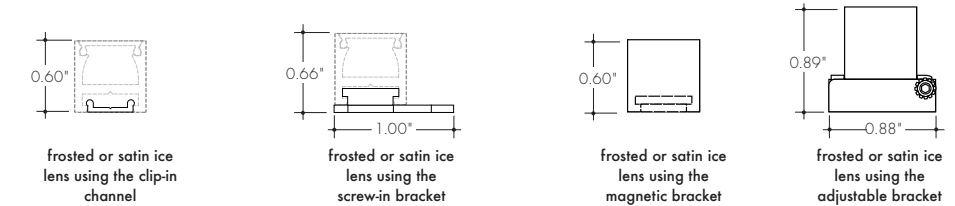
fixture/lens profile



fixture side



fixture/mounting profile



### Technical information

Output	Lumens (with clear lens)	Average power consumption at 4'	Lumens / Watt (with clear lens)	Maximum system length In series
<b>19K-27K</b> (LLDW52)	58 lm/ft (19K) 61 lm/ft (27K) 112 lm/ft (22K all on)	4.3 W/ft (w/ both colors full on) <b>2.1 W/ft average when using PS010WD power supply</b>	25 lm/W	27'
<b>22K-30K</b> (LLDW52)	66 lm/ft (22K) 84 lm/ft (30K) 143 lm/ft (27K all on)	4.3 W/ft (w/ both colors full on) <b>2.1 W/ft average when using PS010WD power supply</b>	32 lm/W	27'

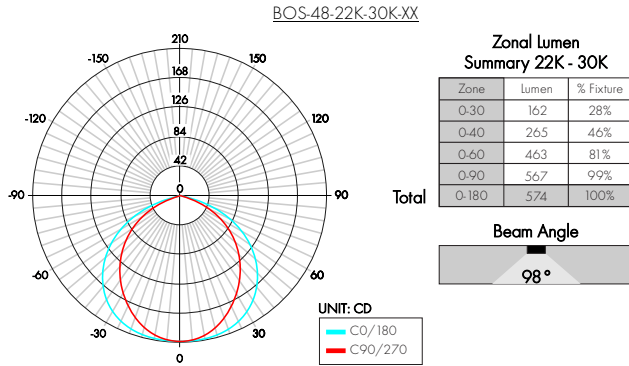
### Ordering code

MODEL	LENGTH	CCT	OUTPUT	LENS	MOUNTING	FINISH	POWER FEED POSITION / TYPE
<b>BOS</b>	<b>12</b>	<b>19K - 27K</b>	<b>MO</b>	<b>F</b>	<b>FC</b>	<b>SA</b>	<b>E</b>
BOS - Bosca	12" - 144" 4" increments	19K-27K - 1900 K - 2700 K 22K-30K - 2200 K - 3000 K	MO - Medium	F - Frosted SI - Satin Ice G - Graze R - Raised	C - Clip-in SC - Screw-in M - Magnetic AH - Adjustable hinge mounting	SA - Silver BK - Black BZ - Bronze WH - White	E - End B - Back S - Side

(BK,BZ,WH finishes will have an upcharge and require longer lead times)

Photometry

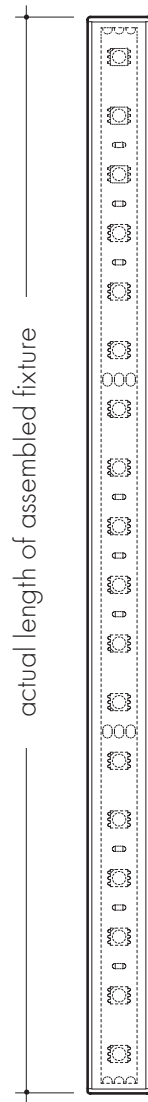
Light Transmission



Lens/Accessory	Percentage Light Transmission
clear lens	100%
medium lens	96%
medium lens w/ white glare shield	83%
half-frosted lens	77%
raised lens	67%
frosted lens	66%
medium lens w/ white blade louver	57%

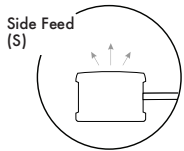
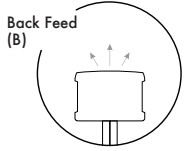
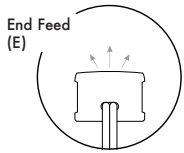
Power consumption per fixture length

Based on operation with PSD series of power supplies.



Nominal Length	Actual Length	MO	
		W/ft	Total wattage
12"	12-12/16"	4.60	4.60
16"	16-11/16"	4.63	6.20
20"	20-10/16"	4.67	7.80
24"	24-9/16"	4.70	9.40
28"	28-8/16"	4.60	10.70
32"	32-7/16"	4.50	11.92
36"	36-6/16"	4.40	13.20
40"	40-5/16"	4.38	14.60
44"	44-4/16"	4.36	16.00
48"	48-3/16"	4.35	17.40
52"	52-2/16"	4.31	19.00
56"	56-1/16"	4.28	20.60
60"	60 "	4.24	22.25
64"	65-14/16"	4.28	23.53
68"	69-13/16"	4.31	24.81
72"	73-12/16"	4.35	26.10
76"	77-11/16"	4.33	27.40
80"	81-11/16"	4.32	28.70
84"	85-9/16"	4.30	30.10
88"	89-8/16"	4.27	31.30
92"	93-7/16"	4.24	32.50
96"	97-6/16"	4.21	33.70
100"	101-6/16"	4.20	35.00
104"	105-4/16"	4.19	36.30
108"	109-3/16"	4.18	37.60
112"	113-2/16"	4.21	39.30
116"	117-1/16"	4.23	41.00
120"	121-1/16"	4.26	42.60
124"	124-15/16"	4.26	44.00
128"	128-14/16"	4.25	45.40
132"	132-13/16"	4.25	46.70
136"	136-13/16"	4.21	47.67
140"	140-12/16"	4.17	48.64
144"	144-10/16"	4.13	49.60

Powerfeed Positions / Type



72" wire leads  
(1)



72" wire leads at both end  
(1X2)



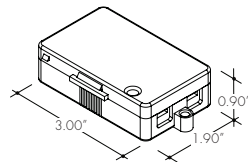
Lead wires end



Accessory Options

Splice Box:  
Low voltage, 4 terminal splice box, black

Part # LVSP-4T-BK

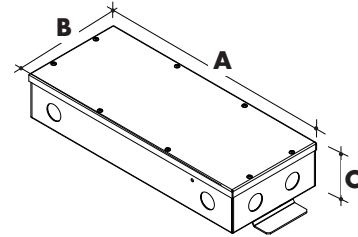


## Power supply

See fixture and power supply instructions & spec sheet for wiring information. Dimming possible in select models - view Luminii website for list of compatible dimmers.

### Non-Dimming Power Supply

MODEL	POWER	OUTPUT	DIMMING	LOCATION
<b>PSV</b>	<b>96</b>	<b>24</b>	<b>U2ND</b>	<b>D</b>
PSV - PSV Series	96 - 96 Watt	24 - 24 VDC	U2ND - Non Dimming	D - Dry Location



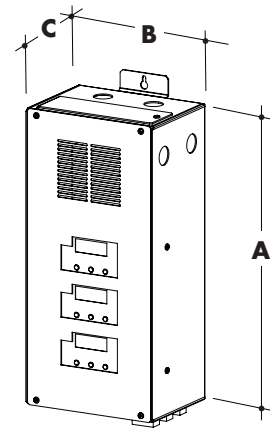
MODELS	96W
<b>A Length</b>	14.40"
<b>B Width</b>	5.20"
<b>C Depth</b>	2.60"

### DMX:

MODEL	POWER	OUTPUT
<b>PSDMX</b>	<b>96</b>	<b>24</b>
PSDMX - DMX Power Supply	96 - 96 Watt 3X96 - 3 X 96Watt	24 - 24 VDC

Features eldoLED's LINEARdrive configurable dimmable drivers

MODELS	96 W	3 X 96 W
<b>A Length</b>	14.40"	15.75"
<b>B Width</b>	5.20"	6.60"
<b>C Depth</b>	2.60"	4.80"

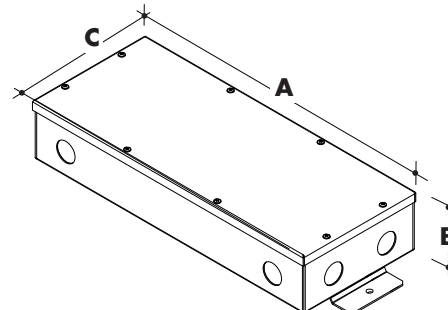


### Warm Dimming via 0-10V:

MODEL	POWER	OUTPUT
<b>PS010WD</b>	<b>96</b>	<b>24</b>
PS010WD - 0-10 Warm dim LED Power Supply	96 - 96 Watt	24 - 24 VDC

Requires a 0-10V controller to work properly

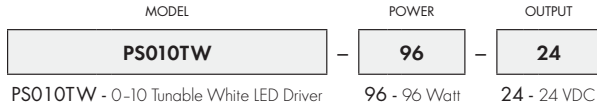
MODELS	PS010
<b>A Length</b>	14.40"
<b>B Width</b>	2.60"
<b>C Depth</b>	5.20"



## Power supply

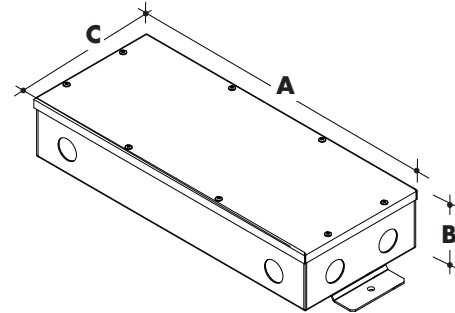
See fixture and power supply instructions & spec sheet for wiring information. Dimming possible in select models - view Luminii website for list of compatible dimmers.

### Tunable White via 0-10V



Requires two 0-10V controllers to work properly

MODELS	PS010TW
<b>A Length</b>	14.40"
<b>B Width</b>	2.60"
<b>C Depth</b>	5.20"



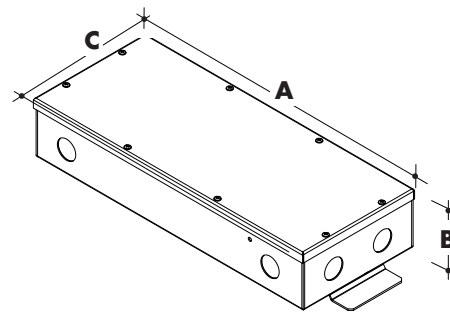
### Customizable Dim to Warm or Variable White via 0 - 10V



- WW - Standard One Channel - Dim To Warm Curve
- W2C - Standard Two Channel - Dim 1: Intensity; Dim 2: CCT
- W21 - Standard Two Channel - Dim 1: Warm Channel Intensity; Dim 2: Cool Channel Intensity
- W1X - Custom One Channel - Dim To Warm Curve
- W2X - Custom two Channel - Dim 1: Intensity; Dim 2: CCT

Requires a 0-10V controller to work properly

MODELS	PS010V
<b>A Length</b>	14.40"
<b>B Width</b>	2.60"
<b>C Depth</b>	5.20"



## DMX decoder

DMX signal to RGBW decoder (required to operate DMX controller, decoder not needed if using PSDMX power supply)



Translates controller DMX512 programs for RGB and white LED strips.

Unique DMX address for the decoder can be set easily and displayed by the numeric display on the case. Changing and resetting the DMX address requires manual input.

Use power repeater to expand output.

**Operating voltage**  
12-36 VDC

**Power capacity**  
up to 96W at 24V

**Operating temperature range**  
from -4 °F to +122 °F in case

ORDERING CODE

MODEL

**DDMX-RGBW**

DDMX-RGB - DMX decoder

## RGBW-RC-R

Dynamic white receiver



The DDW receiver is easily paired with controller by the click of a button. Receiver can be reset to factory settings at any time.

Each receiver can store one static DW color, one color sequence, and one brightness setting for the white LED strip. Receivers assigned to the same scene within the same zone will have the same LED static color and color sequence.

**Operating voltage**  
12-36 VDC

**Power capacity**  
up to 96W at 24V

**Operating temperature range**  
from -4 °F to +122 °F in case

ORDERING CODE

MODEL

**RGBW-RC-R**

RGBW-RC-R - Dynamic white receiver

Controllers

**DDW-MC:** Dynamic White controller



Dynamic white wall-mount controller controls lighting fixtures, wireless control of DW lighting fixture. Fits in any standard US switch box. Includes all the outputs in the back of the controller.

Control brightness levels with a single touch, personalize and memorize 3 different scenes, and even create 3 variations of white.

**Operating voltage**  
3V DC battery

**Features**

- Switch & dimming control function, control range > 20M.
- Smooth transition between light levels.
- Separately operate dimming and color temperature functions.
- Able to control 1 zone with endless receivers. Each receiver can maximally be controlled by 8 remotes.
- Power, temperature color and dimming functions operated by push button after receivers are connected.

**Color parameters**

- Brightness
- Saturation
- Fading

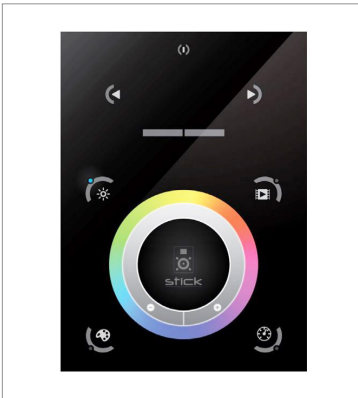
ORDERING CODE

MODEL

**DDW-MC**

DDW-MC - Dynamic white controller

**TSDMX-E:** Touchscreen DMX controller



Programmable advanced DMX512 lighting controller featuring a touch-screen interface. Operates as stand alone controller or integrated with most architectural lighting control systems. Can controller endless DMX512 enabled devices.

Mounts to standard single or dual gang wall box with the included power supply inside the junction box. Terminal block design for power and data connections.

**Power supply**  
7 VDC (included)

**Programmability**  
PC, Mac, Tablet, Smartphone

**Output signal**  
DMX512 (1024 channels)

**Color parameters**

- Brightness
- Saturation
- Speed of color changing sequence
- Fading / dimming / brightness

**Key Features**

- Sleek glass design which sits 0.43" from the wall
- Graphical color display to show selected environment
- Color/dimmer/speed palette
- Color temperature mixing
- Touch sensitive buttons. No mechanical parts
- Touch sensitive wheel allows for accurate color selection
- Multi-zone microSD memory
- Multi-room control with 500 scenes, 10 zones
- 1024 DMX channels. Control 340 RGB fixtures
- USB & Ethernet connectivity

ORDERING CODE

MODEL

**TSDMX-E**

TSDMX-E - Touchscreen DMX controller