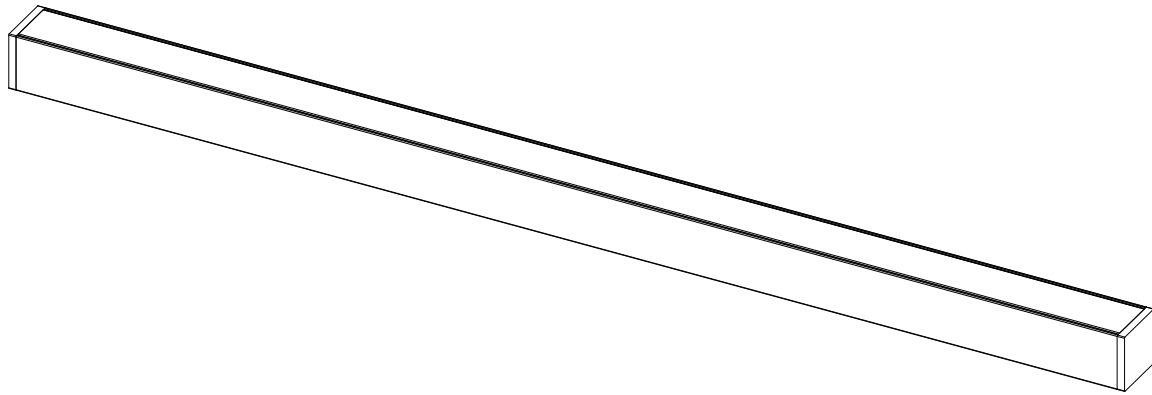


Installation Instructions for **Bosca Dynamic White**
Models BOS-19K-27K-XX, & BOS-22K-30K-XX

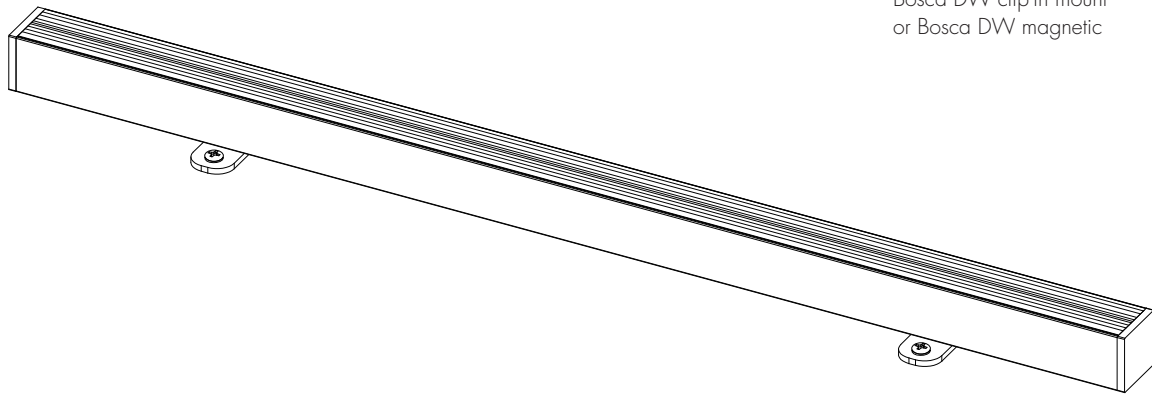


luminii

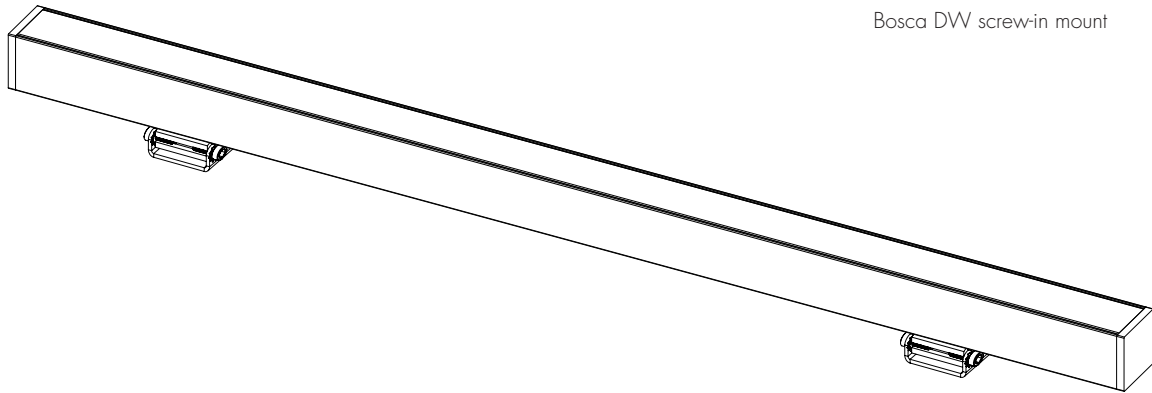
7777 Merrimac Ave
Niles, IL 60714
T 224.333.6033
F 224.757.7557
info@luminii.com
www.luminii.com



Bosca DW clip-in mount
or Bosca DW magnetic



Bosca DW screw-in mount



Bosca DW adjustable hinge mounting

Instruction page index:

Clip-in installation	2
Screw-in installation	3
Magnetic installation	4
Adjustable hinge mounting installation	5
Wiring Diagrams	6-7
Power feed layout guide	8

Bosca Dynamic White - Installation Instructions

Models BOS-XX-19K-27K-XX, & BOS-XX-22K-30K-XX



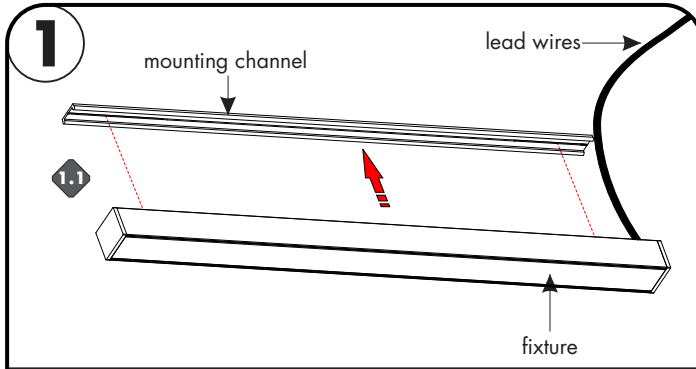
7777 Merrimac Ave
Niles, IL 60714
T 224.333.6033
F 224.757.7557
info@luminii.com
www.luminii.com



Please read all instructions prior to installation and keep for future reference!

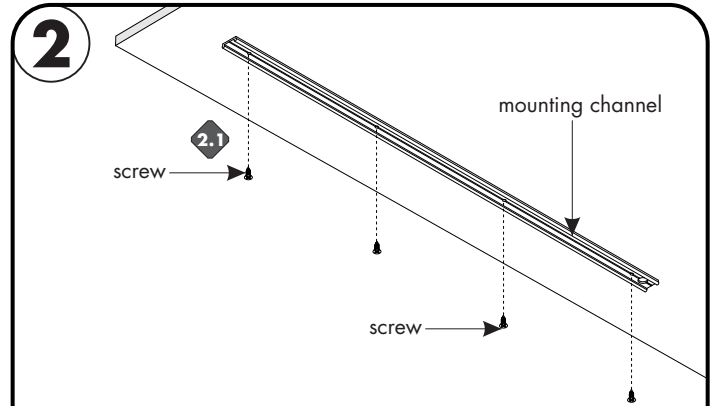
- | | |
|--|--|
| 1. PRODUCT TO BE INSTALLED BY A QUALIFIED ELECTRICIAN. | 5. SURFACE MOUNT ONLY |
| 2. USE ONLY WITH CLASS 2 POWER UNIT | 6. SUITABLE FOR INSTALLATION WITHIN THE CLOSET STORAGE SPACE |
| 3. 24 VOLTS DC | 7. INHERENTLY PROTECTED |
| 4. SUITABLE FOR DAMP LOCATIONS | |

Clip-in installation



Note: Refer to the power supply installation instruction for additional information.
Note: More than one person is recommended for this installation.

1.1 Carefully remove the mounting channel from the back of the fixture. **Mounting channel is 1/2" shorter than the fixture for wire management.**

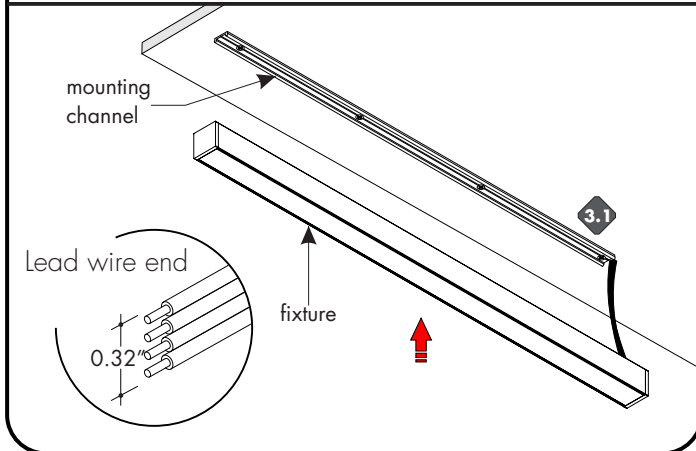


2.1 Determine the location of the fixture. Then secure the mounting channel to the surface with the provided mounting screws.

When installing the mounting channel take into consideration the 1/2" shorter per wire lead/connector.

2.2 Install mounting screws every 6 inches to the center of the mounting channel.

3 **3.1** Follow wire lead dimensions below and drill hole through surface. Insert wire lead surface & snap fixture into the mounting channel to secure in place. **Reference wiring diagram on page 6-7 for additional information.**



Bosca Dynamic White - Installation Instructions

Models BOS-XX-19K-27K-XX, & BOS-XX-22K-30K-XX



7777 Merrimac Ave
Niles, IL 60714
T 224.333.6033
F 224.757.7557
info@luminii.com
www.luminii.com



Please read all instructions prior to installation and keep for future reference!

- | | |
|--|--|
| 1. PRODUCT TO BE INSTALLED BY A QUALIFIED ELECTRICIAN. | 5. SURFACE MOUNT ONLY |
| 2. USE ONLY WITH CLASS 2 POWER UNIT | 6. SUITABLE FOR INSTALLATION WITHIN THE CLOSET STORAGE SPACE |
| 3. 24 VOLTS DC | 7. INHERENTLY PROTECTED |
| 4. SUITABLE FOR DAMP LOCATIONS | |

Screw-in installation

1

set screw

mounting bracket

1.1

fixture

1.1

completely installed

1.1 Install brackets 4" from each end and 30" in between the fixtures. Line up each mounting bracket to the back on the fixture & insert the edge of the clip into the fixture. Then rotate and push clip in until you feel a click. Followed by tightening the set screw using the Allen wrench (provided). Repeat for the remaining brackets.

2

2.1

fixture

screw

2.1 Determine the location of the fixture. Then secure the fixture to the surface using the provided mounting screws. Reference wiring diagram on page 6-7 for additional information.

Note: Prior to installation all 24VDC wires must be present near fixture. Refer to the power supply installation instruction for additional information.

Note: More than one person is recommended for this installation.

Bosca Dynamic White - Installation Instructions

Models BOS-XX-19K-27K-XX, & BOS-XX-22K-30K-XX



7777 Merrimac Ave
Niles, IL 60714
T 224.333.6033
F 224.757.7557
info@luminii.com
www.luminii.com

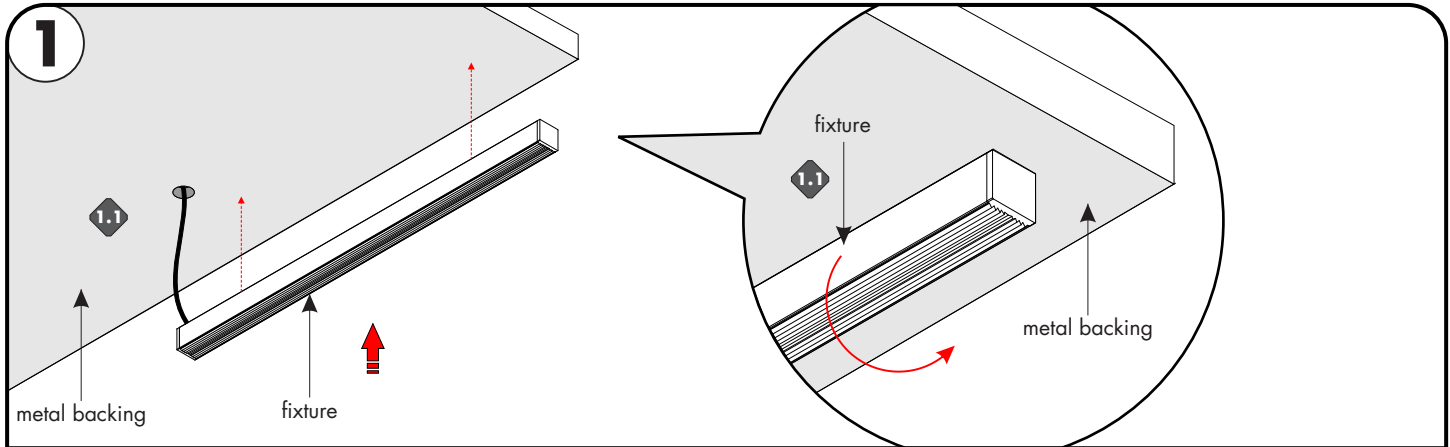


Please read all instructions prior to installation and keep for future reference!

1. PRODUCT TO BE INSTALLED BY A QUALIFIED ELECTRICIAN.
2. USE ONLY WITH CLASS 2 POWER UNIT
3. 24 VOLTS DC
4. SUITABLE FOR DAMP LOCATIONS
5. SURFACE MOUNT ONLY
6. SUITABLE FOR INSTALLATION WITHIN THE CLOSET STORAGE SPACE
7. INHERENTLY PROTECTED

Page 4 of 8

Magnetic installation



Note: Prior to installation all 24VDC wires must be present near fixture. Refer to the power supply installation instruction for additional information.

Note: More than one person is recommended for this installation.

- 1.1 Determine the location of the fixture. Must be made of steel or a ferrous metal. Clean the surface area thoroughly from any debris. Snap the fixture onto the metal surface. If necessary fixture can easily be removed by rotating off the surface and repositioning correctly. Reference wiring diagram on page 6-7 for additional information.

Bosca Dynamic White - Installation Instructions

Models BOS-XX-19K-27K-XX, & BOS-XX-22K-30K-XX



7777 Merrimac Ave
Niles, IL 60714
T 224.333.6033
F 224.757.7557
info@luminii.com
www.luminii.com

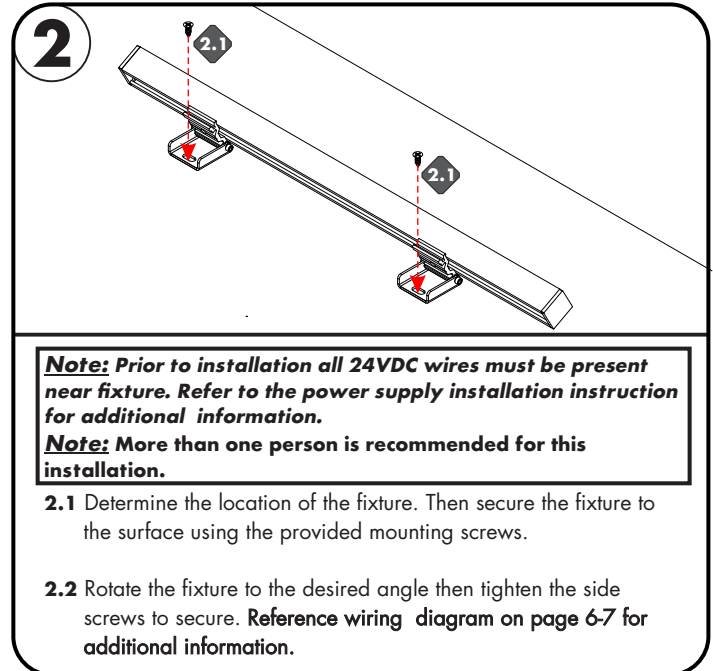
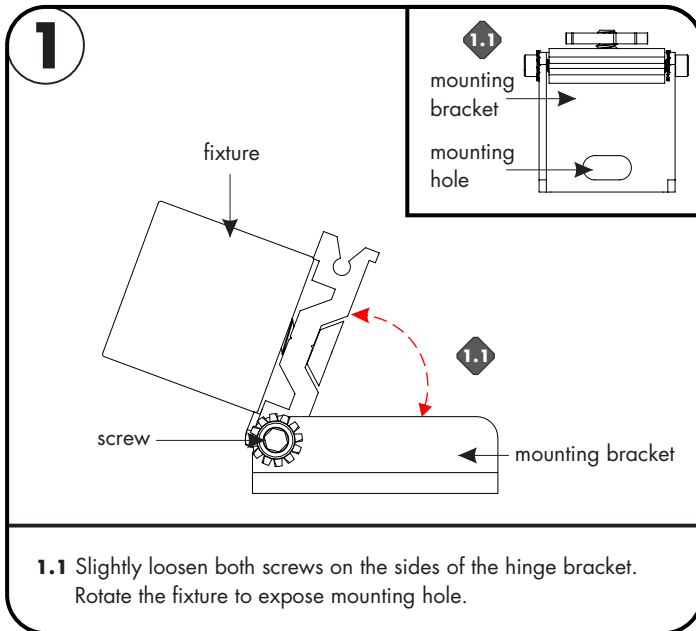


Please read all instructions prior to installation and keep for future reference!

1. PRODUCT TO BE INSTALLED BY A QUALIFIED ELECTRICIAN.
2. USE ONLY WITH CLASS 2 POWER UNIT
3. 24 VOLTS DC
4. SURFACE MOUNT ONLY
5. SUITABLE FOR WET LOCATIONS, MUST USE APPROPRIATE WEATHERPROOF RATED WIRE CONNECTORS.
6. SUITABLE FOR INSTALLATION WITHIN THE CLOSET STORAGE SPACE
7. INHERENTLY PROTECTED

Page 5 of 8

Adjustable hinge installation



Bosca Dynamic White - Installation Instructions

Models BOS-XX-19K-27K-XX, & BOS-XX-22K-30K-XX



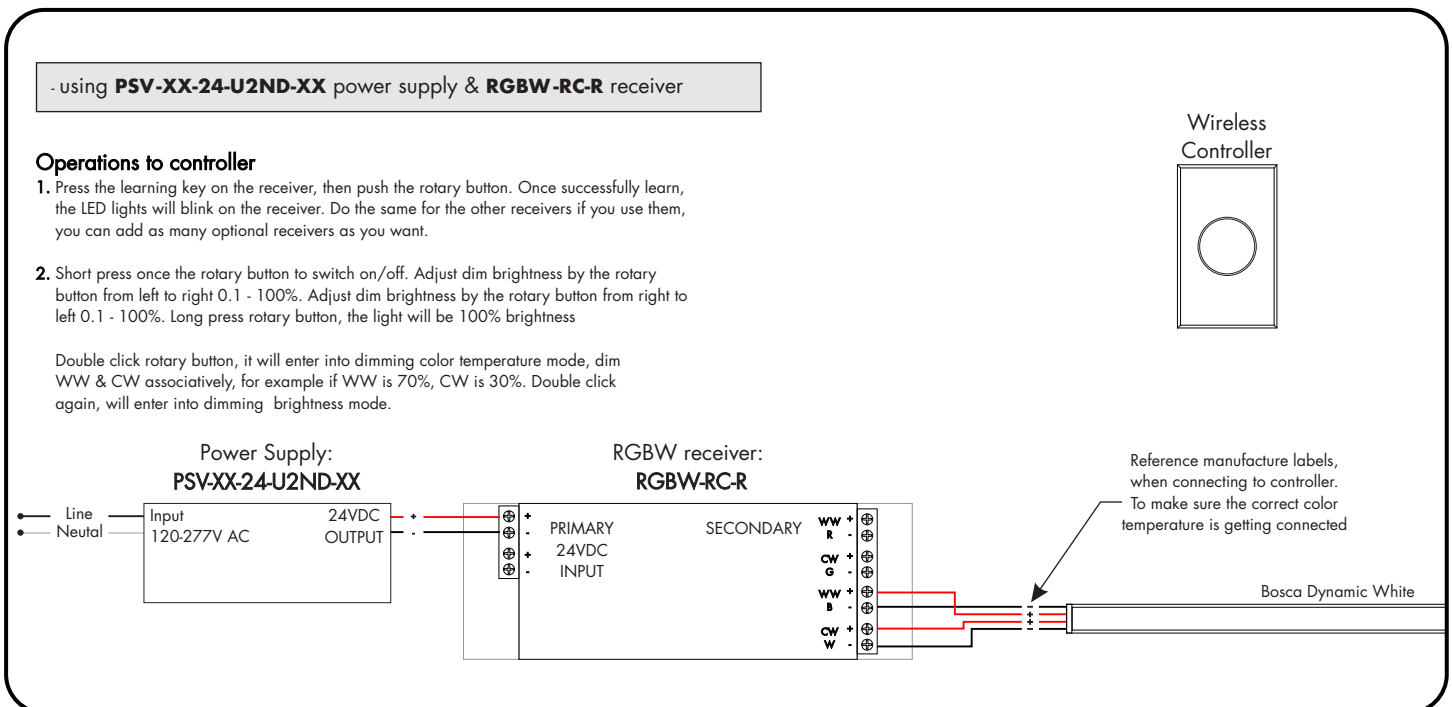
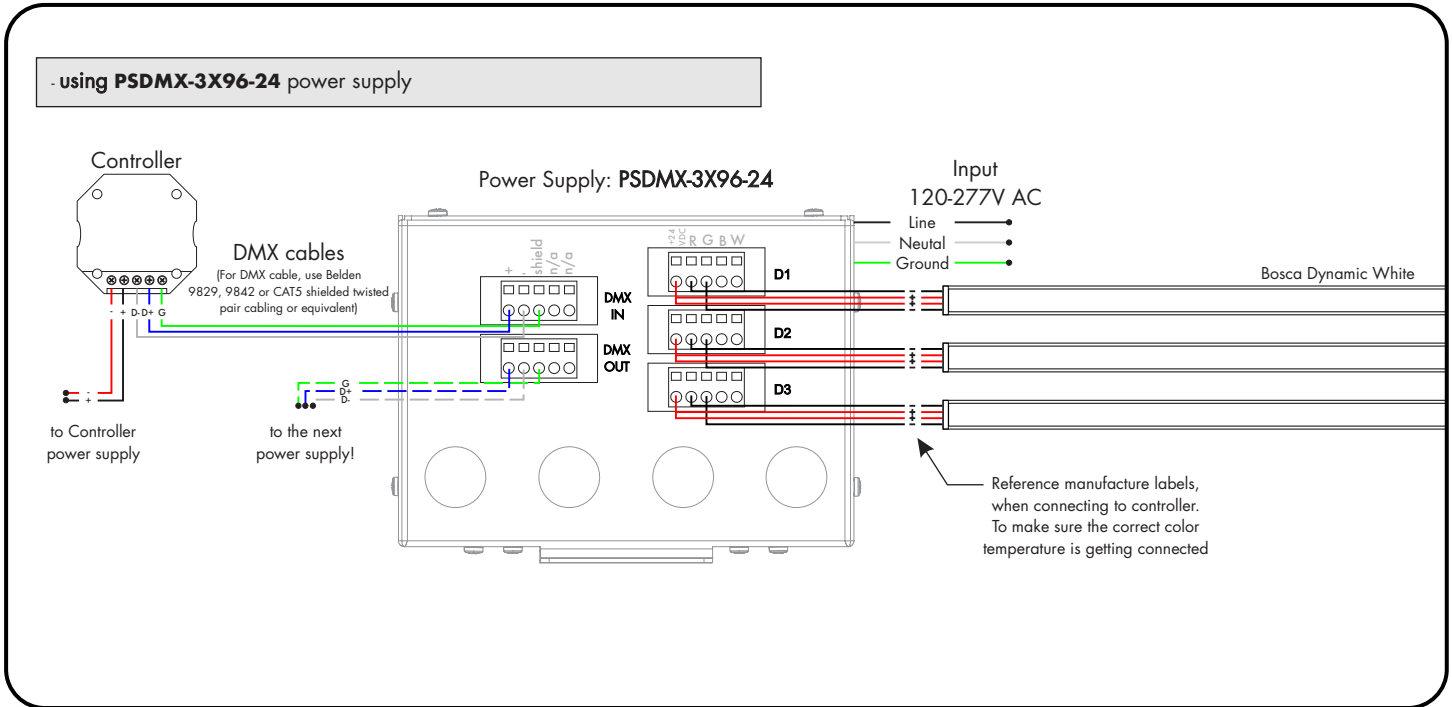
7777 Merrimac Ave
Niles, IL 60714
T 224.333.6033
F 224.757.7557
info@luminii.com
www.luminii.com



Please read all instructions prior to installation and keep for future reference!

1. PRODUCT TO BE INSTALLED BY A QUALIFIED ELECTRICIAN.
2. USE ONLY WITH CLASS 2 POWER UNIT
3. 24 VOLTS DC
4. SURFACE MOUNT ONLY
5. SUITABLE FOR WET LOCATIONS, MUST USE APPROPRIATE WEATHERPROOF RATED WIRE CONNECTORS.
6. SUITABLE FOR INSTALLATION WITHIN THE CLOSET STORAGE SPACE
7. INHERENTLY PROTECTED

Wiring Diagrams



Bosca Dynamic White - Installation Instructions

Models BOS-XX-19K-27K-XX, & BOS-XX-22K-30K-XX



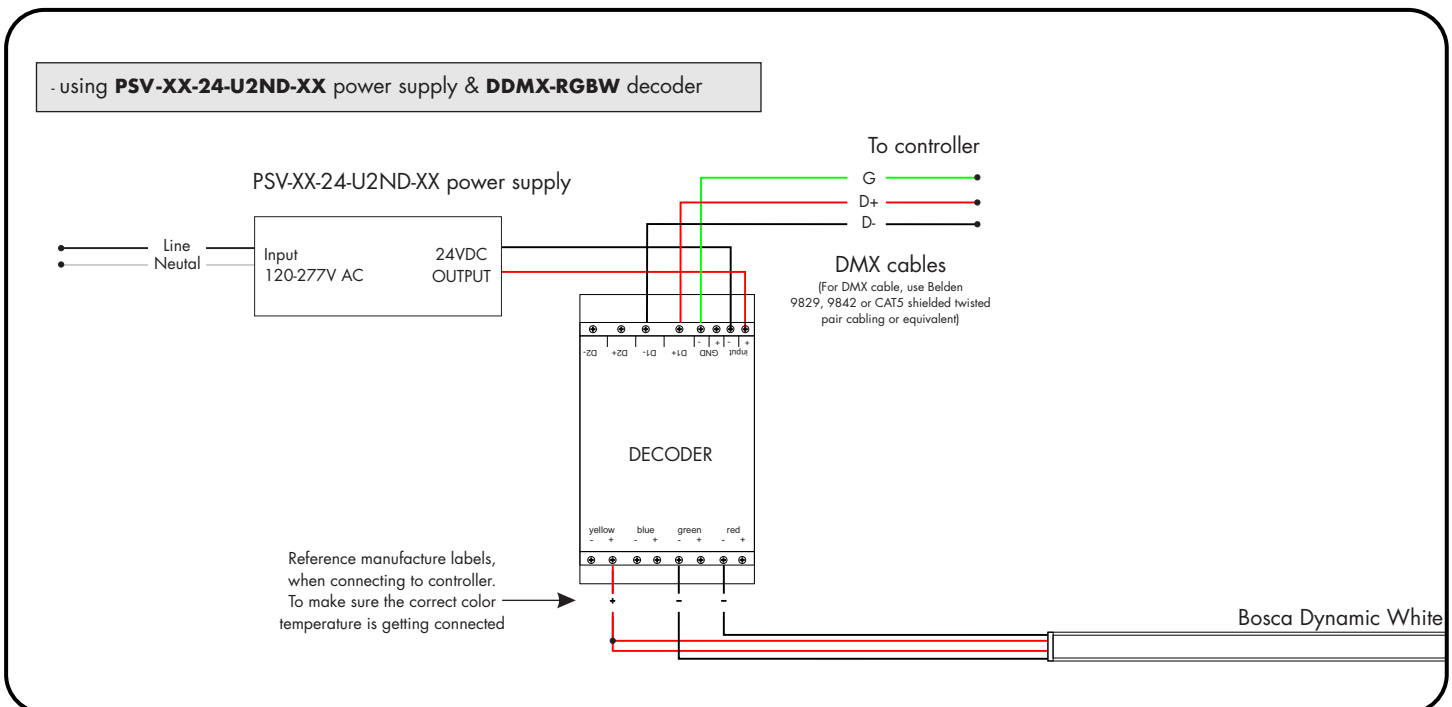
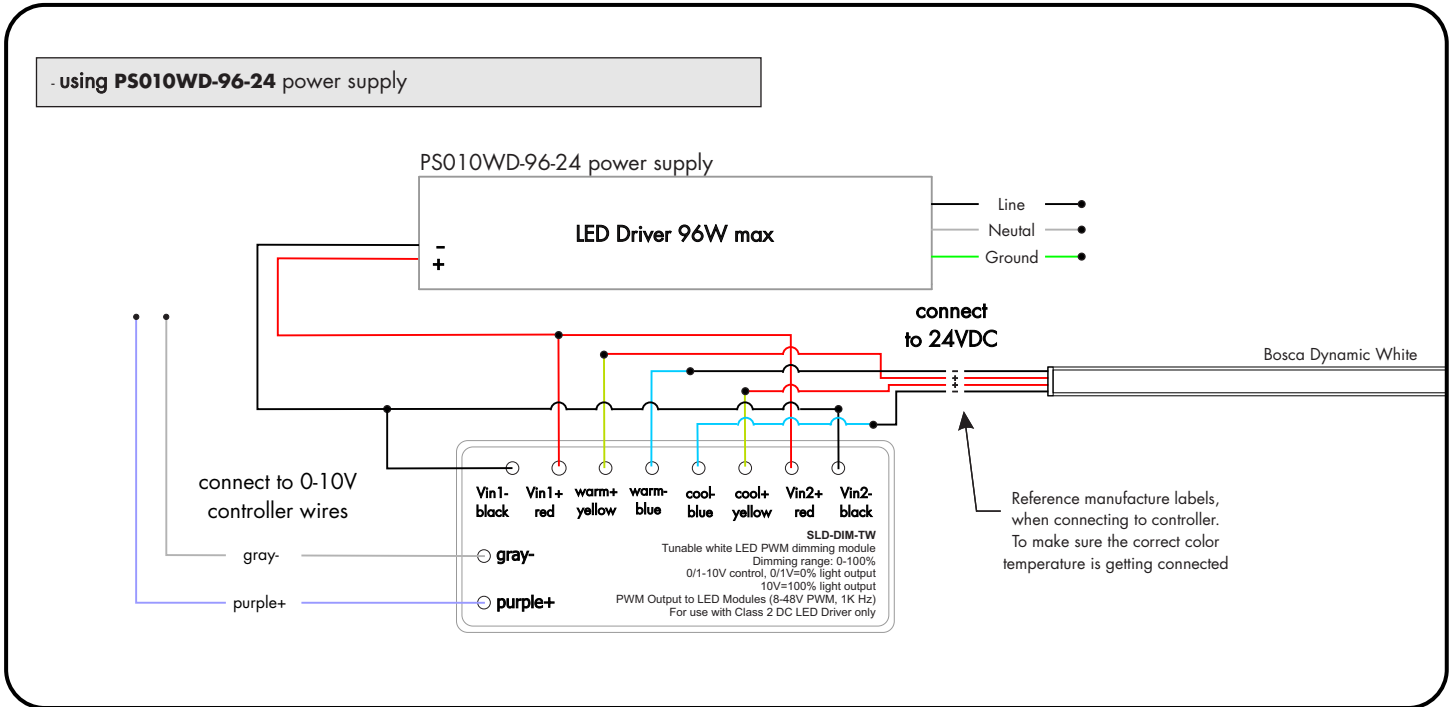
7777 Merrimac Ave
Niles, IL 60714
T 224.333.6033
F 224.757.7557
info@luminii.com
www.luminii.com



Please read all instructions prior to installation and keep for future reference!

1. PRODUCT TO BE INSTALLED BY A QUALIFIED ELECTRICIAN.
2. USE ONLY WITH CLASS 2 POWER UNIT
3. 24 VOLTS DC
4. SURFACE MOUNT ONLY
5. SUITABLE FOR WET LOCATIONS, MUST USE APPROPRIATE WEATHERPROOF RATED WIRE CONNECTORS.
6. SUITABLE FOR INSTALLATION WITHIN THE CLOSET STORAGE SPACE
7. INHERENTLY PROTECTED

Wiring Diagrams



Bosca Dynamic White - Installation Instructions

Models BOS-XX-19K-27K-XX, & BOS-XX-22K-30K-XX



7777 Merrimac Ave
Niles, IL 60714
T 224.333.6033
F 224.757.7557
info@luminii.com
www.luminii.com

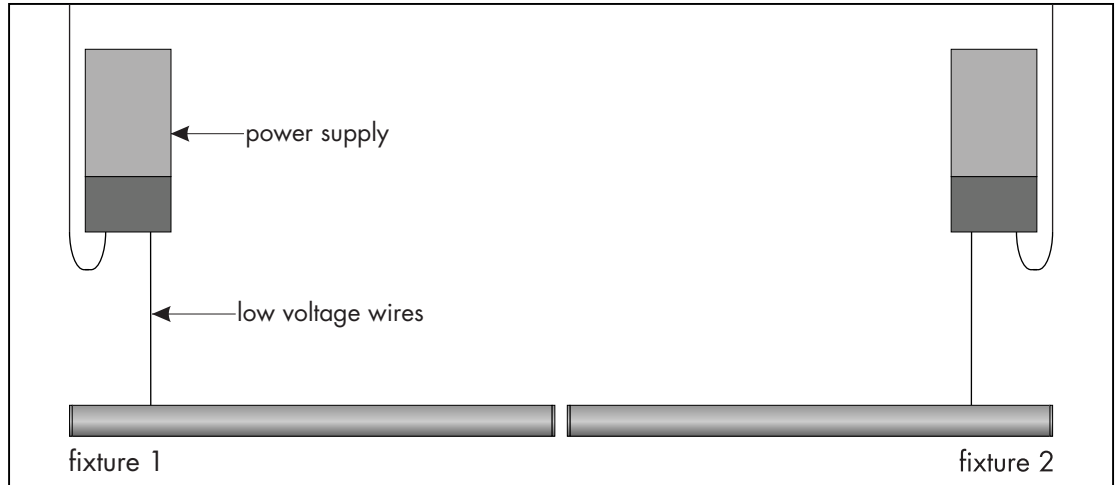


Please read all instructions prior to installation and keep for future reference!

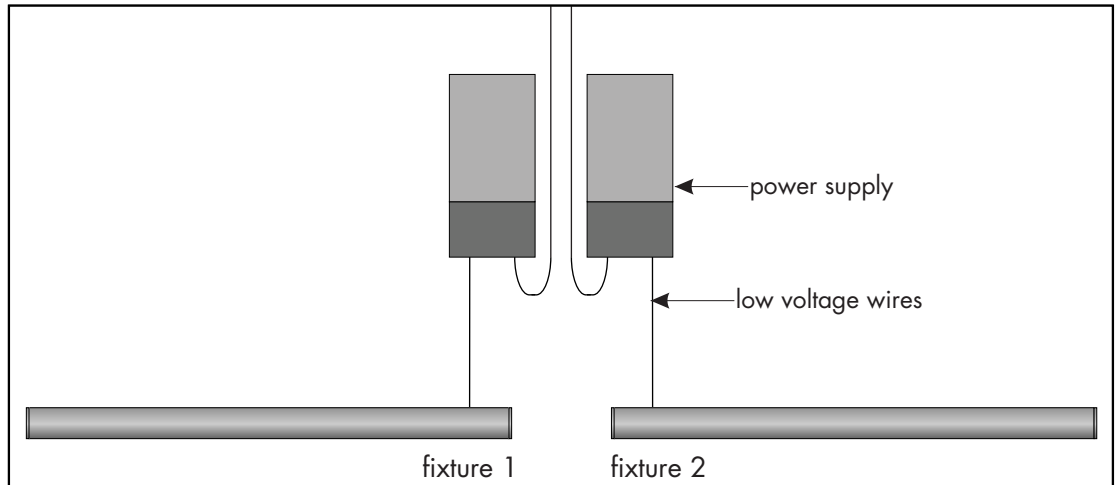
1. PRODUCT TO BE INSTALLED BY A QUALIFIED ELECTRICIAN.
2. USE ONLY WITH CLASS 2 POWER UNIT
3. 24 VOLTS DC
4. SUITABLE FOR DAMP LOCATIONS
5. SURFACE MOUNT ONLY
6. SUITABLE FOR INSTALLATION WITHIN THE CLOSET STORAGE SPACE
7. INHERENTLY PROTECTED

multiple powerfeed layouts

power supplies at the end of the run



power supplies in the middle of the run



consecutive layout, NOT RECOMMENDED

