



Features

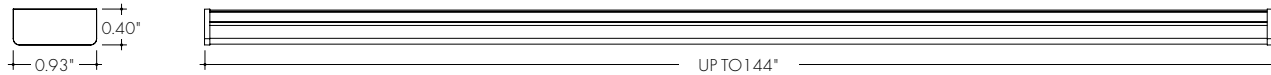
- 24VDC Class 2 fixtures made to order up to 144"
- Suitable for undercabinet, millwork, recessed, tiled ceiling, and surface mount applications
- Proprietary strong bond solder method handles up to 50lbs of torque on wire leads and connectors
- Dot free even illumination achievable with frosted lens
- Single micro binned LEDs +/- 30 CCT

- Dims with minimal color shift
- Class 2 listed for damp locations
- 5 Year warranty

Finish Options

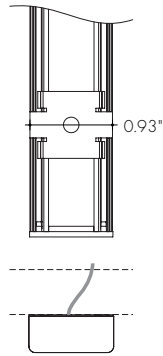
- Silver anodized
- Black powder coated
- Bronze powder coated
- White powder coated

Profile Dimensions

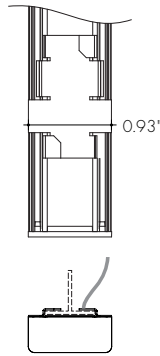


Mounting Clip Details

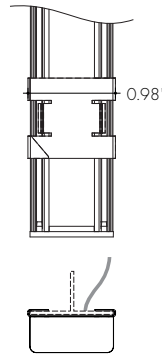
w/ fixed mounting clip



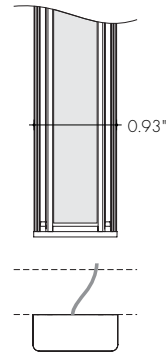
w/ 9/16 t-bar clip



w/ 15/16 t-bar clip



w/ magnetic



Technical Information

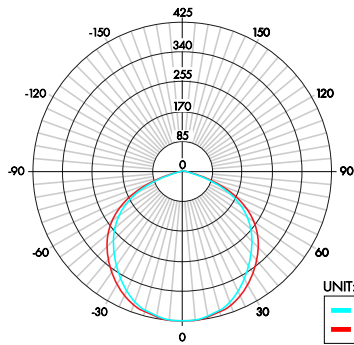
OUTPUT OPTIONS	SO	HO	CCT Info/Lumen Multiplier		TM-30-15		
	LL64HE-SO	LL64HE-HO	Color Temperature	Multiplier (reference - 3000K)	CRI	R _f	R _g
Light at 3000K (Frosted Lens)	692 lm/ft	792 lm/ft	2700K	0.94	92	90	99
Average Power Consumption at 4'	7.3 W/ft	9.1 W/ft	3000K	1.00	92	89	99
Lumens / Watt (Frosted Flood Lens)	95 lm/W	87 lm/W	3500K	1.02	92	89	99
Maximum System Length	15'	12'	4000K	1.02	92	86	94

Ordering Code

MODEL	LENGTH	CCT	OUTPUT	LENS	MOUNTING	FINISH	POWER FEED POSITION / TYPE	
BAR - Bara High Efficacy	12" - 144" 1.56" increments <i>Reference page 3 for additional information</i>	27K - 2700K 30K - 3000K 35K - 3500K 40K - 4000K	SO - Standard HO - High	F - Frosted	FC - Fixed Clip TB9 - 9/16 T-Bar TB15 - 15/16 T-Bar MAG - Magnetic	SA - Silver BK - Black BZ - Bronze WH - White	E - End B - Back (BK, BZ, WH finishes will have an upcharge and require longer lead times)	1 - 72" wire leads 1X2 - 72" wire leads at both ends 2 - 72" wire leads at one end and quick connect at other 3 - Single quick connect 4 - Dual quick connect P1 - Plenum rated, 72" wire leads PIX2 - Plenum rated, 72" wire leads at both ends

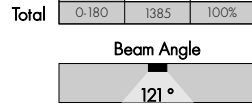
Photometry

BAR-HE-24-27K-SO-FXX



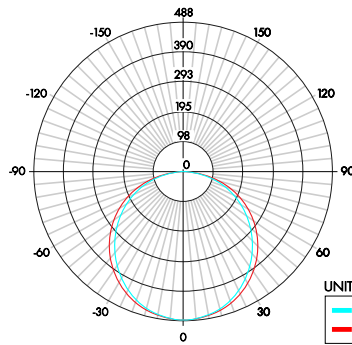
Zonal Lumen Summary 2700K

Zone	Lumen	% Fixture
0-30	332	24%
0-40	547	39%
0-60	981	71%
0-90	1296	94%
0-180	1385	100%



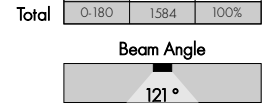
UNIT: CD
 C0/180
 C90/270

BAR-HE-24-27K-HO-FXX



Zonal Lumen Summary 2700K

Zone	Lumen	% Fixture
0-30	381	24%
0-40	627	40%
0-60	1125	71%
0-90	1484	94%
0-180	1584	100%



UNIT: CD
 C0/180
 C90/270

T-Grid Compatibility

Brand	Type	Part Number	Description
USG*	9/16	208257	DX/DXL-24 SUSPENSION FLAT WHITE
	15/16	215673	DONN AX SUSPENSION
	15/16	272638	DXCE FLAT WHITE
	15/16	207901	M7 OVERLAPPING
ARMSTRONG	9/16	BPGZ068	SURPRAFINE XL HRC
	15/16	BPGZ051	PRELUDE XL HRC EXPOSED TEE SYSTEM
	15/16	BPGZ044	PRELUDE ML EXPOSED TEE SYSTEM
	15/16	BPGZ046	PRELUDE XL FIRE EXPOSED TEE SYSTEM

* Statement of Compatibility from USG:

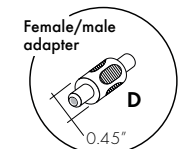
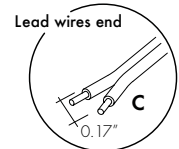
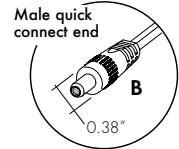
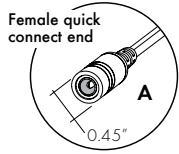
Luminii's fixtures at 0.25lbs/ft can be fully supported by the USG grids listed in the table above and do not require any additional structural support or modifications to the grid system as long as the overall ceiling weight including specified fixtures and/or any other components supported by the grid does not cross the allowed ceiling weight per state building structural codes.

Power Consumption Per Fixture Length

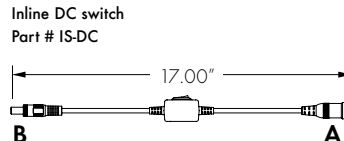
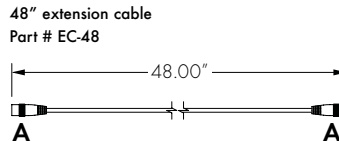
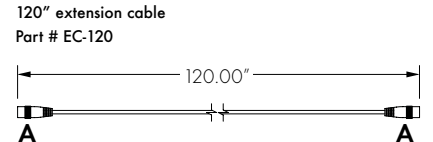
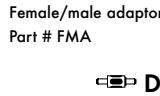
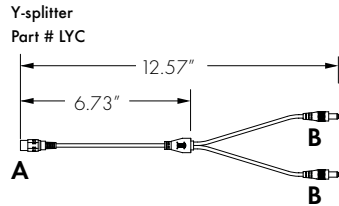
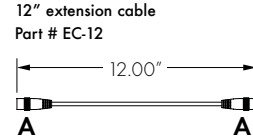
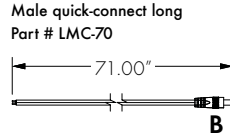
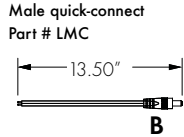
Based on operation with PSD series of power supplies

Nominal Length	Actual Length	SO		HO	
		W/ft	Total wattage	W/ft	Total wattage
12"	12-10/16"	7.10	7.10	9.80	9.80
16"	15-10/16"	7.03	9.33	9.53	12.53
20"	20-3/16"	6.97	11.57	9.27	15.27
24"	24-11/16"	6.90	13.80	9.00	18.00
28"	27-11/16"	6.95	16.27	9.06	21.17
32"	32-4/16"	7.01	18.73	9.11	24.33
36"	35-4/16"	7.06	21.20	9.17	27.50
40"	39-13/16"	7.12	23.77	9.15	30.47
44"	44-5/16"	7.17	26.33	9.12	33.43
48"	48-14/16"	7.23	28.90	9.10	36.40
52"	51-14/16"	7.27	31.50	9.09	39.37
56"	54-15/16"	7.30	34.10	9.07	42.33
60"	61 "	7.34	36.70	9.06	45.30
64"	64 "	7.33	39.10	9.08	48.43
68"	68-8/16"	7.33	41.50	9.10	51.57
72"	71-9/16"	7.32	43.90	9.12	54.70
76"	76-2/16"	7.34	46.50	9.14	57.90
80"	80-11/16"	7.37	49.10	9.17	61.10
84"	83-11/16"	7.39	51.70	9.19	64.30
88"	88-4/16"	7.39	54.17	9.12	66.83
92"	92-12/16"	7.39	56.63	9.05	69.37
96"	95-13/16"	7.39	59.10	8.98	71.90
100"	100-5/16"	7.38	61.50	8.97	74.80
104"	104-14/16"	7.38	63.90	8.97	77.70
108"	107-14/16"	7.37	66.30	8.96	80.60
112"	112-7/16"	7.39	68.93	8.92	83.17
116"	116-7/16"	7.40	71.57	8.87	85.73
120"	120 "	7.42	74.20	8.83	88.30
124"	124-8/16"	7.40	76.40	8.67	89.47
128"	127-9/16"	7.37	78.60	8.51	90.63
132"	132-2/16"	7.35	80.80	8.35	91.80
136"	136-10/16"	7.33	83.00	8.20	92.83
140"	139-10/16"	7.30	85.20	8.06	93.87
144"	144-3/16"	7.28	87.40	7.91	94.90

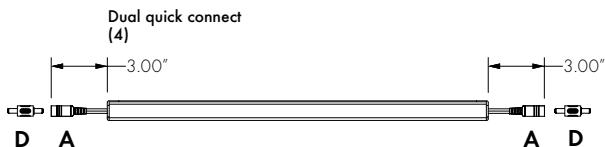
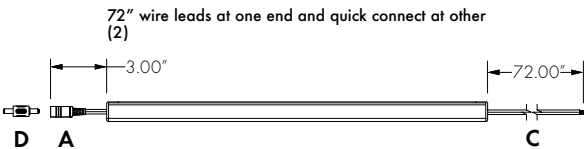
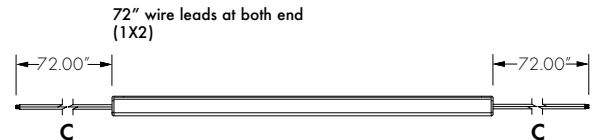
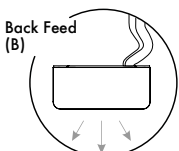
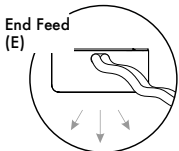
Connectors & Accessories



Linking and extension cable options



Powerfeed Position / Type



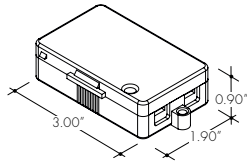
3, and 4 powerfeed options require #LMC to connect to PSD series of power supplies.

Accessories

Splice Box

LVSP-4T-BK

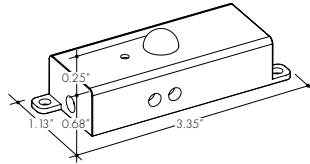
Low voltage, 4 terminal splice box, black



PIR Infrared Occupancy Sensor

OS-DC-F4-BK

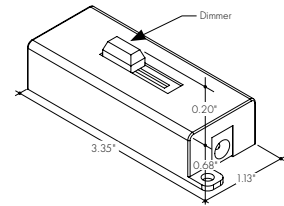
OS-DC-F4-BK - Occupancy Sensor



24VDC Low Voltage In-Line Dimmer Module

DIM-DC-F4-BK

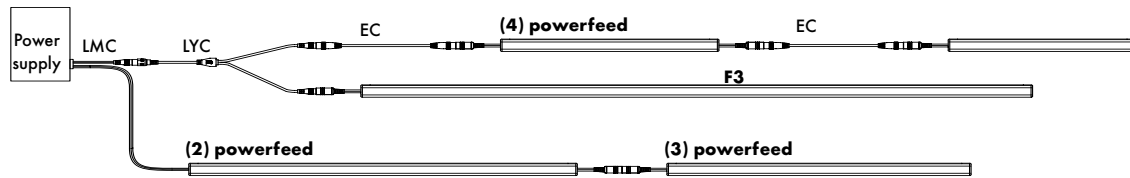
DIM-DC-F4-BK - 24VDC Low Voltage In-Line Dimmer Module



Note: a Male quick connector for input and output is required.

Note: a Male quick connector for input and output is required.

Sample layout



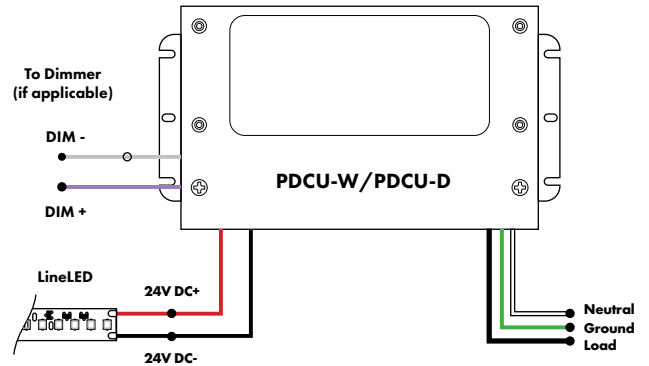
Power Supply

See fixture and power supply instructions & spec sheet for wiring information. Dimming possible in select models - view Luminii website for list of compatible dimmers.

Universal Power Supply

MODEL	POWER	OUTPUT
PDCU-W	96	24
PDCU-W - IP66 Wet Series	96 - 96 W 3X96 - 3X96 W	24 - 24 VDC
PDCU-D - IP20 Dry Series	30 - 30 W 60 - 60 W 96 - 96 W 3X96 - 3X96 W	

0-10V - 1% dimming
MLV/ELV/TRIAC - 1% dimming, consult dimming compatibility chart
Compatibility:
View a complete list of compatible dimmers on product page ([Link](#))

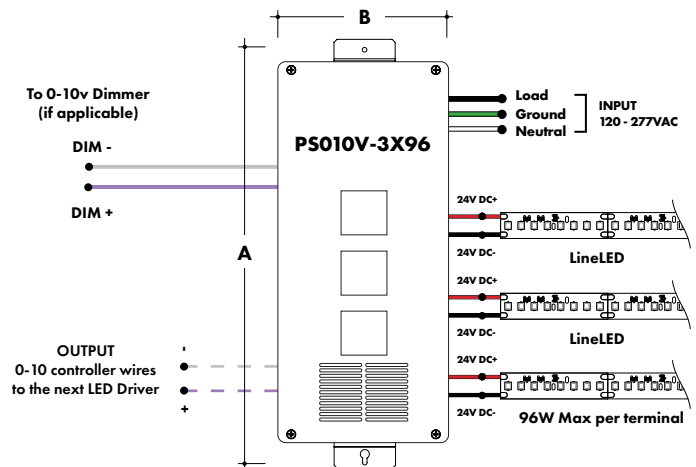
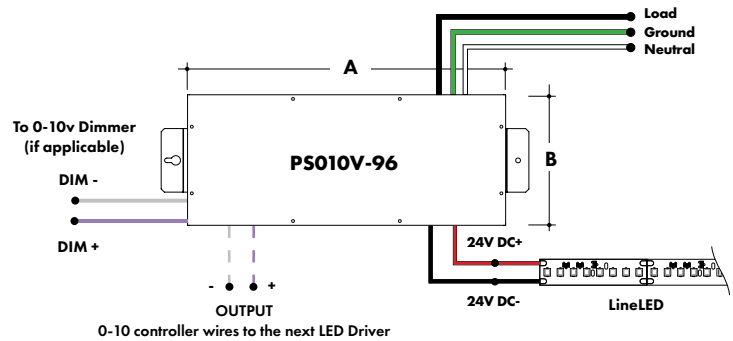


MODELS	PDCU-W 96W	PDCU-W 3X96W	PDCU-D 30W	PDCU-D 60W	PDCU-D 96W	PDCU-D 3X96W
A Length	8.66"	11.85"	6.10"	7.93"	8.25"	9.57"
B Width	3.73"	4.32"	3.35"	3.35"	4.10"	5.94"
Depth	1.61"	1.81"	1.33"	1.32"	1.56"	1.13"

0-10V Dimming Power Supplies

MODEL	POWER	OUTPUT	DIMMING
PS010V	96	24	LIN
PS010V - 0-10V Power Supply dims down to 0%	96 - 96 Watt 3X96 - 3 X 96 Watt	24 - 24 VDC	LIN - Linear LOG - Logarithmic

MODELS	96W	3X96
A Length	14.40"	15.75"
B Width	5.20"	6.62"
Depth	2.60"	4.95"



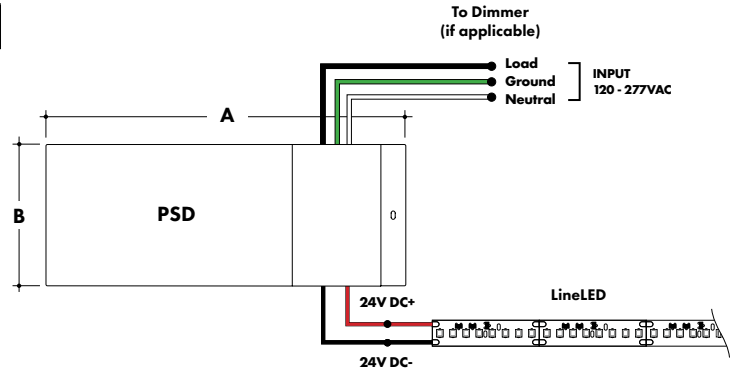
Power Supply

See fixture and power supply instructions & spec sheet for wiring information. Dimming possible in select models - view Luminii website for list of compatible dimmers.

Magnetic Low Voltage Dimming Power Supplies

MODEL	POWER	OUTPUT	INPUT
PSD	48	24	
PSD - PSD Series dims down to 0%	48 - 48 Watt 96 - 96 Watt 288 - 288 Watt (3 x 96Watt)	24 - 24 VDC	Blank - 120 V 240 - 240 V 277 - 277 V

MODELS	48W	96W	288W
A Length	11.25"	11.25"	13.06"
B Width	3.42"	3.42"	8.42"
Depth	3.42"	3.27"	4.47"

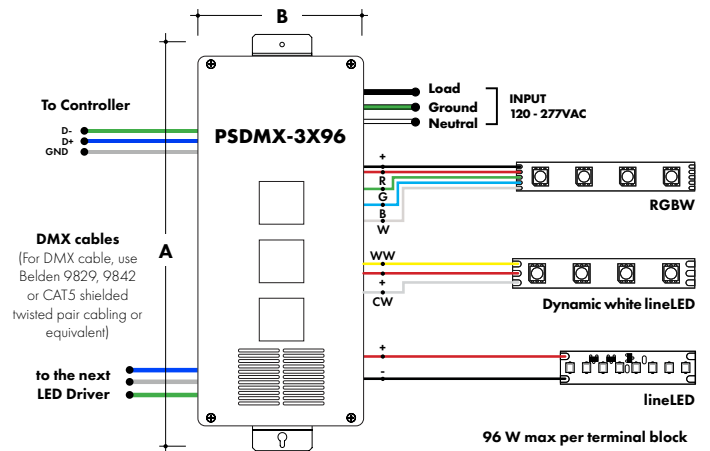
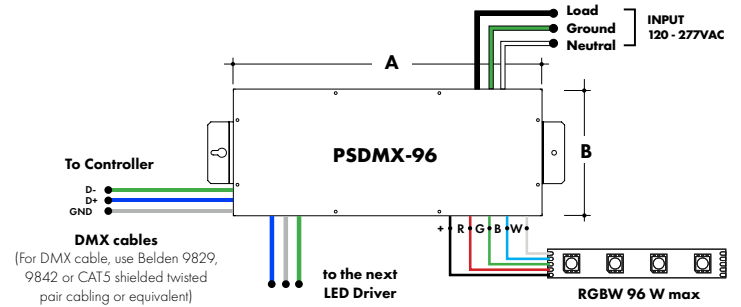


DMX Dimming Power Supplies

MODEL	POWER	OUTPUT
PSDMX	96	24
PSDMX - DMX Power Supply	96 - 96 Watt 3X96 - 3 X 96 Watt	24 - 24 VDC

Features eldoLED's LINEARdrive configurable dimmable drivers

MODELS	96W	3X96
A Length	14.40"	15.75"
B Width	5.20"	6.62"
Depth	2.60"	4.95"



Power Supply

See fixture and power supply instructions & spec sheet for wiring information. Dimming possible in select models - view Luminii website for list of compatible dimmers.

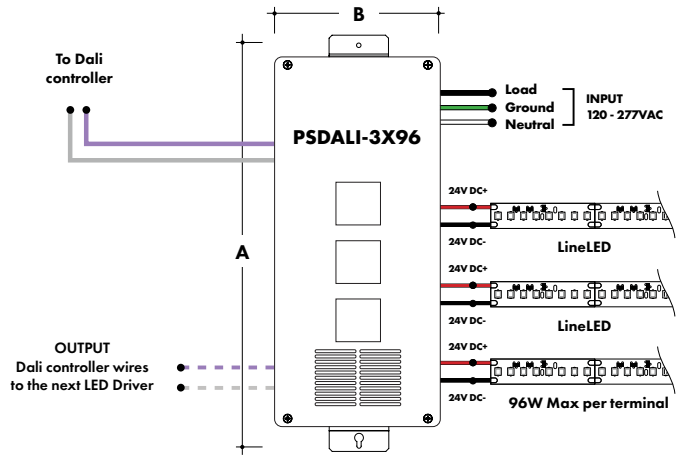
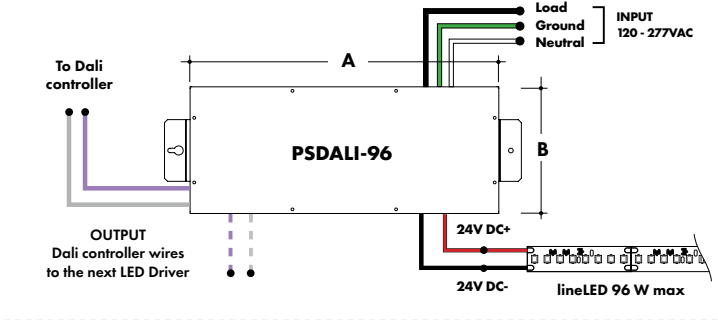
DALI Dimming Power Supplies

MODEL	POWER	OUTPUT
PSDALI	96	24

PSDALI - DALI Power Supply
 dims down to 0%
 96 - 96 Watt
 3X96 - 3 X 96 Watt
 24 - 24 VDC

Features eldoLED's LINEARdrive configurable dimmable drivers

MODELS	96W	3X96
A Length	14.40"	15.75"
B Width	5.20"	6.62"
Depth	2.60"	4.95"

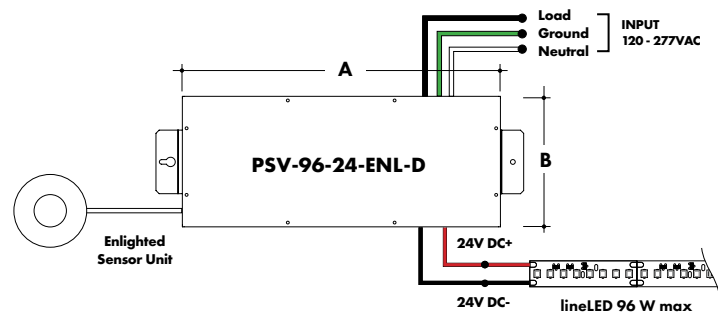


Enlighted Enabled Dimming Power Supplies:

MODEL	POWER	OUTPUT	DIMMING	LOCATION
PSV	96	24	ENL	D

PSV - PSV Series 96 - 96 Watt 24 - 24 VDC ENL - Enlighted Dimming D - Damp

MODELS	96W
A Length	14.40"
B Width	5.20"
Depth	2.60"

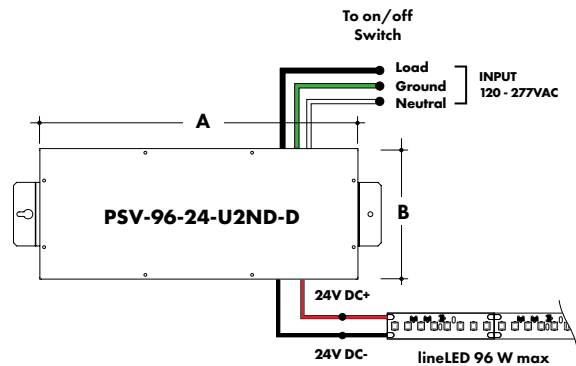


Non-Dimming Power Supply

MODEL	POWER	OUTPUT	DIMMING	LOCATION
PSV	96	24	U2ND	D

PSV - PSV Series 96 - 96 Watt 24 - 24 VDC U2ND - Non Dimming D - Damp

MODELS	96W
A Length	14.40"
B Width	5.20"
Depth	2.60"



Power Supply

See fixture and power supply instructions & spec sheet for wiring information. Dimming possible in select models - view Luminii website for list of compatible dimmers.



Luminii is a Lutron OEM Advantage Partner

MODEL

LTEA4U1UKL-CV240

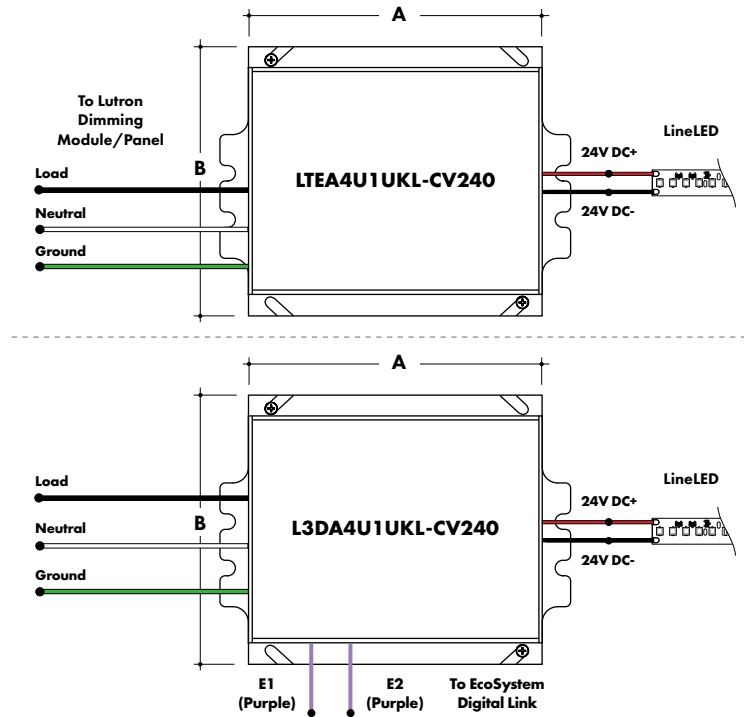
Lutron - HiLume™ 1% 2-wire LED Driver
(120V forward phase only)

MODEL

L3DA4U1UKL-CV240

HiLume™ 1% EcoSystem Voltage LED driver

MODELS	LTEA4U1UKL-CV240	L3DA4U1UKL-CV240
A Length	4.89"	4.98"
B Width	4.00"	4.00"
Depth	2.62"	2.62"



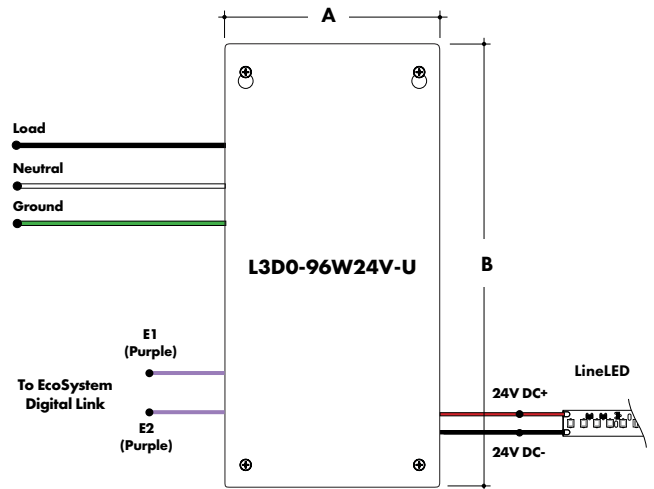
Luminii is a Lutron OEM Advantage Partner

MODEL

L3D0-96W24V-U

HiLume™ 0.1% EcoSystem Voltage LED Driver with Soft-On, Fade-to-Black™

MODELS	L3D0
A Length	10.50"
B Width	5.50"
Depth	2.00"



Power Supply

See fixture and power supply instructions & spec sheet for wiring information. Dimming possible in select models - view Luminii website for list of compatible dimmers.

In ground, Electronic Low Voltage Dimming Power Supplies

MODEL	POWER	OUTPUT	INPUT
IG - CVE	96X2	24	Blank - 120 V 277 - 240/277 V
IG - In ground CVE Series	96X2 - 2 X 96 Watt	24 - 24 VDC	
CVE - ELV Dimming DALI - eldoLED Dali dimming			
Both dims down to 0.1%			

MODELS	Dual Circuit
A Length	8.40"
B Width	8.30"
Depth	8.10"

