

Installation Instructions for Bara

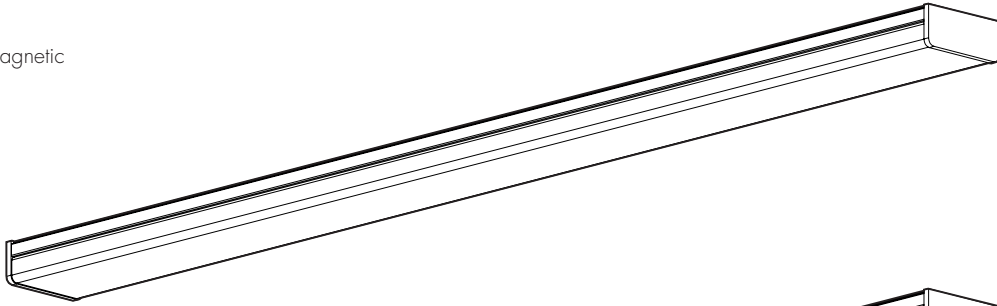
Models: BAR-HE-XX



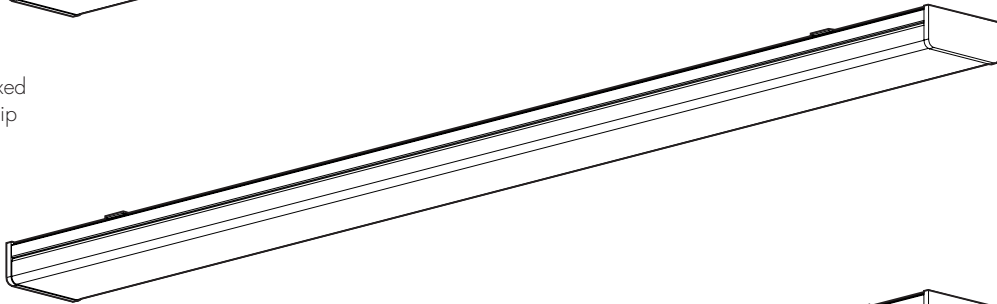
luminii

7777 Merrimac Ave
Niles, IL 60714
T 224.333.6033
F 224.757.7557
info@luminii.com
www.luminii.com

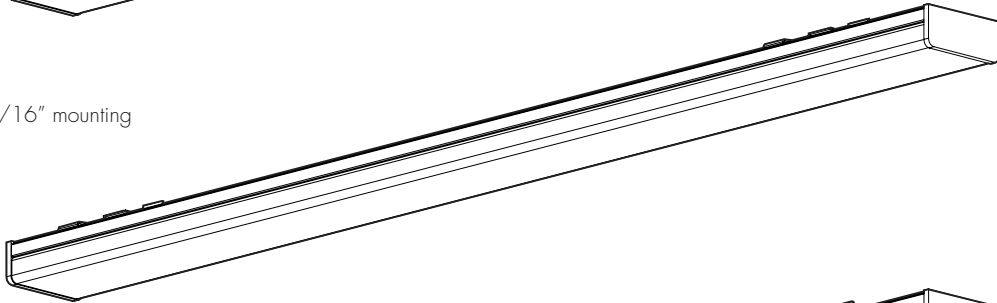
Bara w/ magnetic mounting



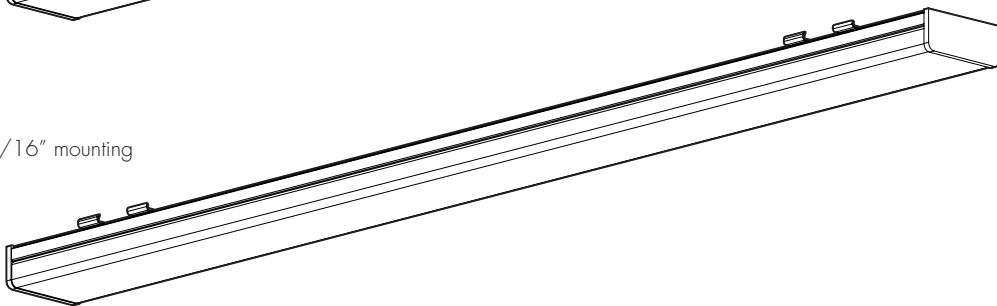
Bara w/ fixed mounting clip



Bara w/ 9/16" mounting Tbar clip



Bara w/ 15/16" mounting Tbar clip



Instruction page index:

Magnetic installation	2
Fixed mounting clip installation	3
9/16" & 15/16" T-bar clip mounting installation	4
Power feed layout guide	5

Bara - Installation Instructions

Models: BAR-HE-XX



luminii

7777 Merrimac Ave
Niles, IL 60714
T 224.333.6033
F 224.757.7557
info@luminii.com
www.luminii.com

Please read all instructions prior to installation and keep for future reference!

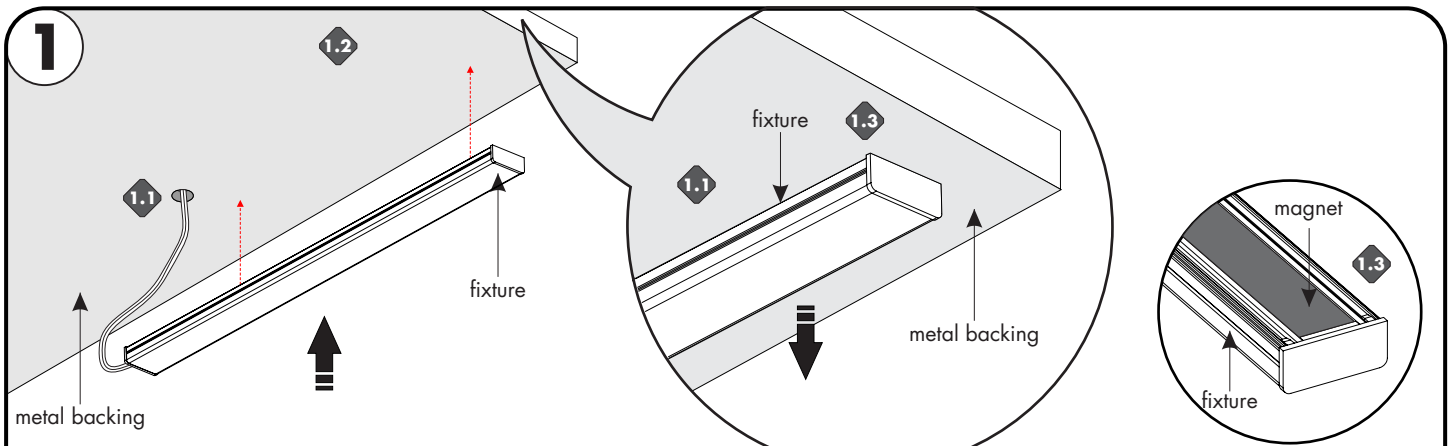
1. PRODUCT TO BE INSTALLED BY A QUALIFIED ELECTRICIAN.
2. USE ONLY WITH CLASS 2 POWER UNIT
3. 24 VOLTS DC
4. SUITABLE FOR DAMP LOCATIONS
5. SURFACE MOUNT ONLY
6. SUITABLE FOR INSTALLATION WITHIN THE CLOSET STORAGE SPACE
7. INHERENTLY PROTECTED

Page 2 of 5

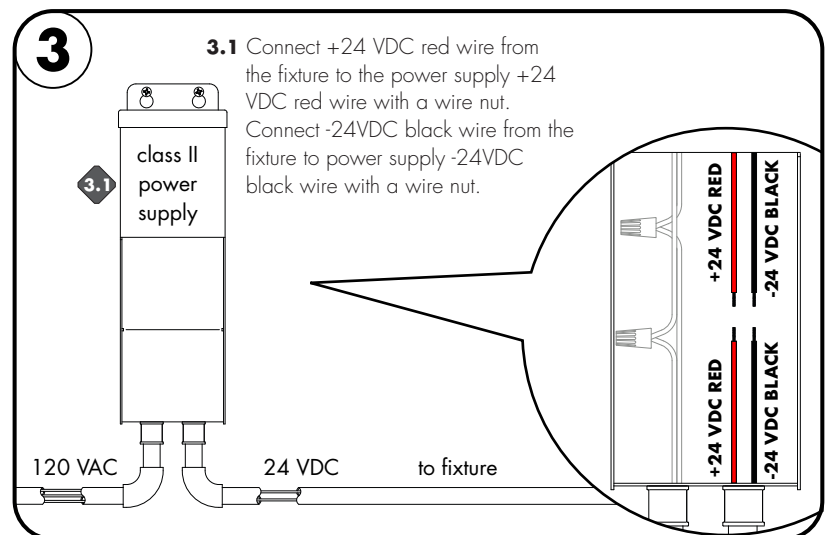
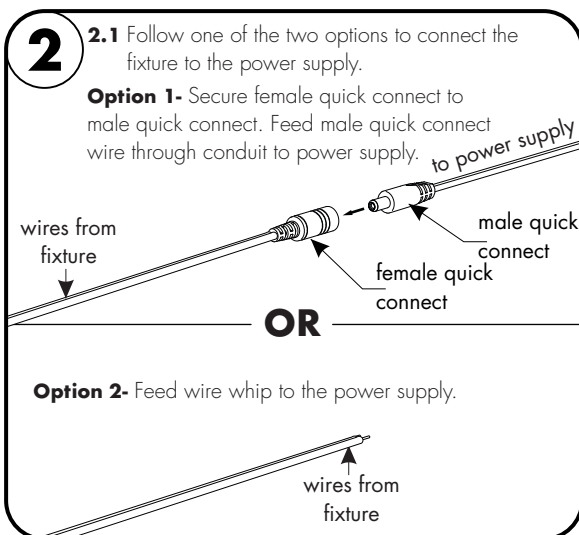
Magnetic installation

Note: Prior to installation all 24VDC wires must be present near fixture. Refer to the power supply installation instruction for additional information.

Note: More than one person is recommended for this installation.



- 1.1 If necessary make any pass through holes for wire lead/connector to the surface, depending on the power feed option.
- 1.2 Clean the surface area thoroughly from any debris. Must be made of steel or a ferrous metal.
- 1.3 Snap the fixture onto the metal surface. If necessary fixture can easily be removed by pulling off the surface and repositioning correctly.



Bara - Installation Instructions

Models: BAR-HE-XX



luminii

7777 Merrimac Ave
Niles, IL 60714
T 224.333.6033
F 224.757.7557
info@luminii.com
www.luminii.com

Please read all instructions prior to installation and keep for future reference!

1. PRODUCT TO BE INSTALLED BY A QUALIFIED ELECTRICIAN.
2. USE ONLY WITH CLASS 2 POWER UNIT
3. 24 VOLTS DC
4. SUITABLE FOR DAMP LOCATIONS
5. SURFACE MOUNT ONLY
6. SUITABLE FOR INSTALLATION WITHIN THE CLOSET STORAGE SPACE
7. INHERENTLY PROTECTED

Page 3 of 5

Fixed mounting clip installation

Note: Prior to installation all 24VDC wires must be present near fixture. Refer to the power supply installation instruction for additional information.

Note: More than one person is recommended for this installation.

1

1.1 Determine the location of where the fixture(s) will be installed. Lay the fixture(s) on the surface, and make any necessary reference marks for the fixed mounting clips. Make marks 4" from each end of the fixture(s) and also every 30" in between.

1.2 Lay the fixed clip onto the reference mark points and secure using the provided hardware.

1.3 If necessary make any pass through holes for wire lead/connector to the surface, depending on the power feed option. Then snap the fixture into the fixed mounting clip to secure in place.

2

2.1 Follow one of the two options to connect the fixture to the power supply.

Option 1- Secure female quick connect to male quick connect. Feed male quick connect wire through conduit to power supply.

OR

Option 2- Feed wire whip to the power supply.

3

3.1 Connect +24 VDC red wire from the fixture to the power supply +24 VDC red wire with a wire nut. Connect -24VDC black wire from the fixture to power supply -24VDC black wire with a wire nut.

Bara - Installation Instructions

Models: BAR-HE-XX



luminii

7777 Merrimac Ave
Niles, IL 60714
T 224.333.6033
F 224.757.7557
info@luminii.com
www.luminii.com

Please read all instructions prior to installation and keep for future reference!

1. PRODUCT TO BE INSTALLED BY A QUALIFIED ELECTRICIAN.
2. USE ONLY WITH CLASS 2 POWER UNIT
3. 24 VOLTS DC
4. SURFACE MOUNT ONLY
5. SUITABLE FOR WET LOCATIONS, MUST USE APPROPRIATE WEATHERPROOF RATED WIRE CONNECTORS.
6. SUITABLE FOR INSTALLATION WITHIN THE CLOSET STORAGE SPACE
7. INHERENTLY PROTECTED

Page 4 of 5

T-Bar clip installation

1

1.1 Prior to installing the fixture on the grid, reference the back of the fixture to take into consideration end caps & power feed. In addition take into account the lead wires they are slightly off centered .

1.2 Then align & rotate to secure each t-bar clip to the track. Install a t-bar clip 4" from each end of the fixture and also one every 30" in between the fixture.

1.3 Align the fixture to the installed clips, then snap fixture into the clips to secure in place.

1.3 fixture installed into clips

2

2.1 Follow one of the two options to connect the fixture to the power supply.

Option 1- Secure female quick connect to male quick connect. Feed male quick connect wire through conduit to power supply.

OR

Option 2- Feed wire whip to the power supply.

3

3.1 Connect +24 VDC red wire from the fixture to the power supply +24 VDC red wire with a wire nut. Connect -24VDC black wire from the fixture to power supply -24VDC black wire with a wire nut.

Bara - Installation Instructions

Models: BAR-HE-XX



luminii

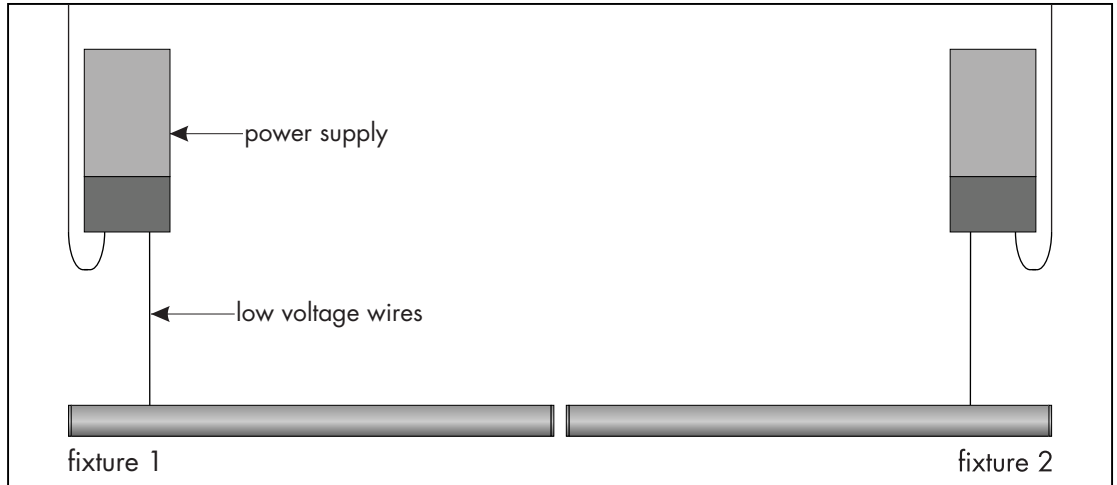
7777 Merrimac Ave
Niles, IL 60714
T 224.333.6033
F 224.757.7557
info@luminii.com
www.luminii.com

Please read all instructions prior to installation and keep for future reference!

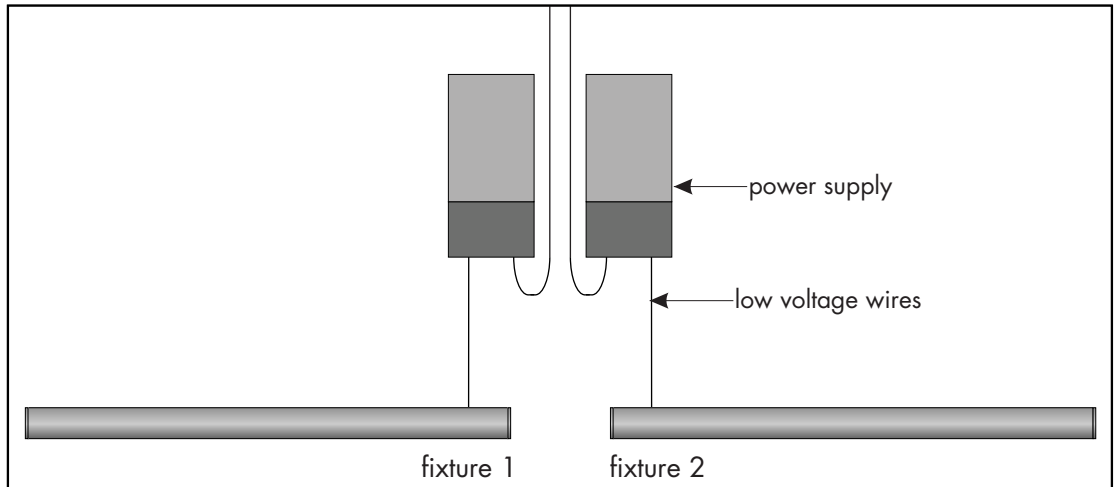
1. PRODUCT TO BE INSTALLED BY A QUALIFIED ELECTRICIAN.
2. USE ONLY WITH CLASS 2 POWER UNIT
3. 24 VOLTS DC
4. SUITABLE FOR DAMP LOCATIONS
5. SURFACE MOUNT ONLY
6. SUITABLE FOR INSTALLATION WITHIN THE CLOSET STORAGE SPACE
7. INHERENTLY PROTECTED

multiple powerfeed layouts

power supplies at the end of the run



power supplies in the middle of the run



consecutive layout, NOT RECOMMENDED

