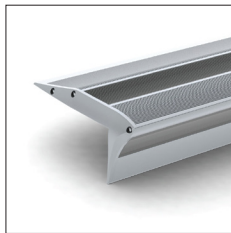
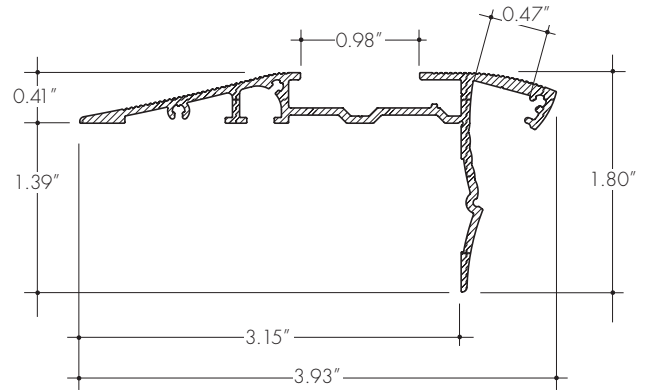
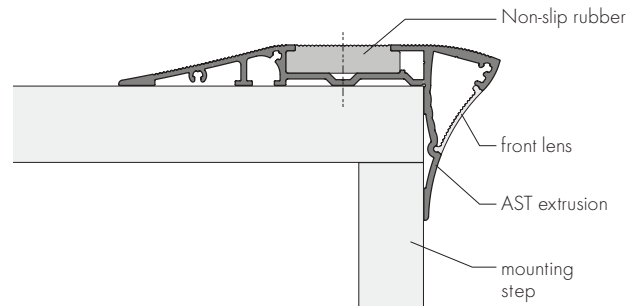


The AST Channel is a linear aluminum extrusion that has been specifically designed to function as nosing for stair treads while illuminating the steps and area around them. The extrusion itself and accompanying non-slip rubber inserts are walk-over safe as well as wear and tear resistant. Substantial aluminum mass in profile provides excellent heat sink for high power LED strips. Dedicated end-caps are sold separately.



AST end-caps seamlessly cover the profile for a finished look



Technical information

Finish: Silver anodized

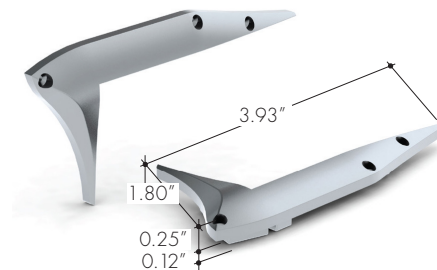
Available length: 78.75"

Diffuser: polycarbonate, snap-in-place, UV resistant frosted lens with linear spread

Mounting: direct surface application using mounting-material-appropriate fasteners (view installation instructions on Luminii website). Not designed for exterior applications.

Accessories: End-caps (sold separately)

EC-AST-H1-R
right end cap



EC-AST-H1-L
left end cap

Ordering code

MODEL	LENGTH	DIFFUSER	FINISH
AST	78	F	SA
AST - AST aluminum extrusion	78 - 78.75"	F - Frosted	SA - Silver anodized