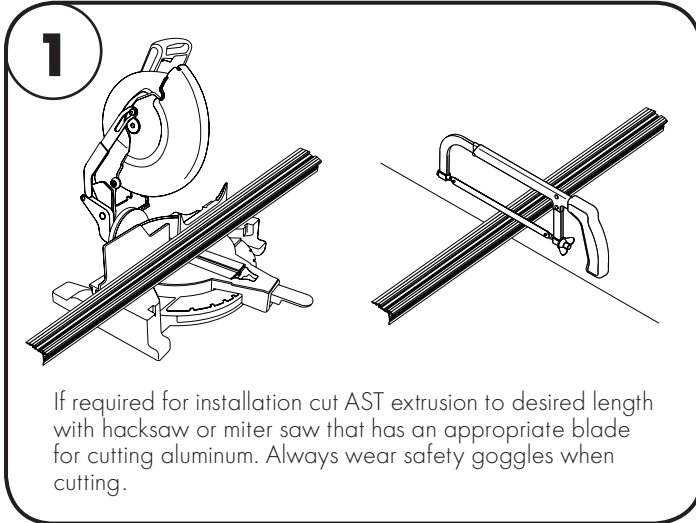


Please read all instructions prior to installation and keep for future reference!

1. Product should be installed by a qualified electrician.
2. Prior to installation ensure power is off at fuse box to prevent electrical shock.

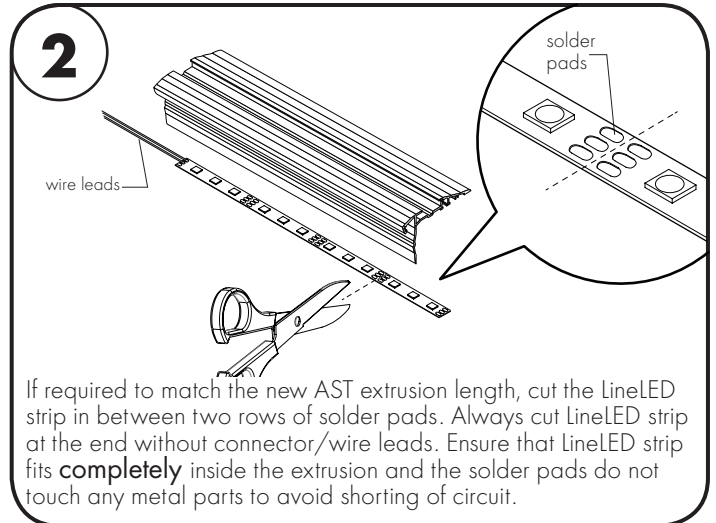
Page 1 of 2

1



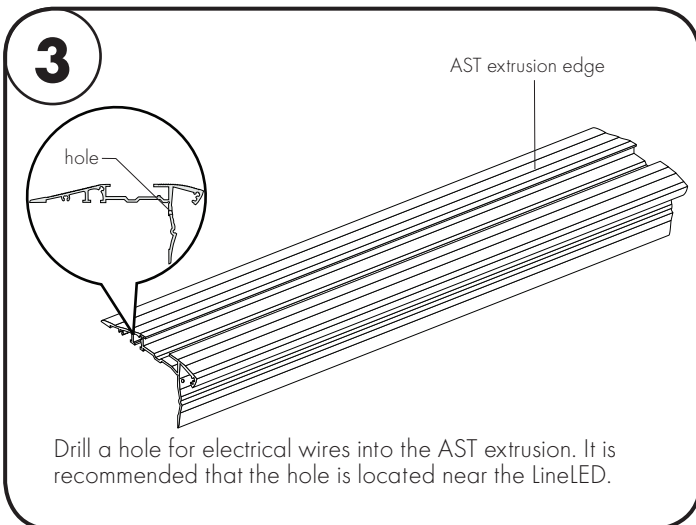
If required for installation cut AST extrusion to desired length with hacksaw or miter saw that has an appropriate blade for cutting aluminum. Always wear safety goggles when cutting.

2



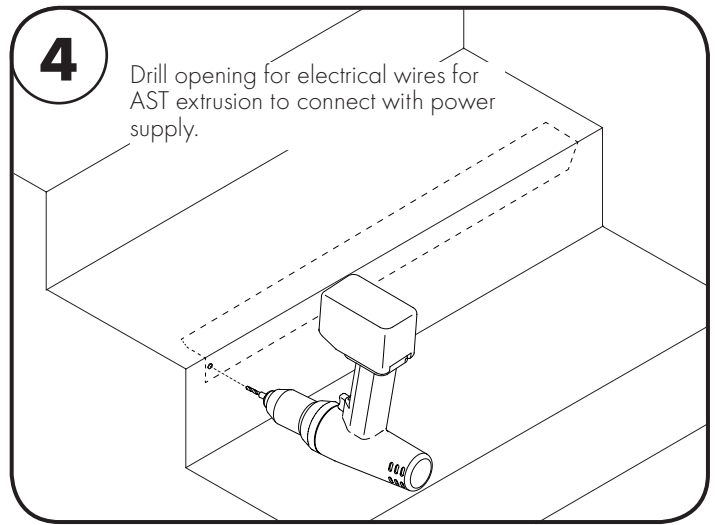
If required to match the new AST extrusion length, cut the LineLED strip in between two rows of solder pads. Always cut LineLED strip at the end without connector/wire leads. Ensure that LineLED strip fits **completely** inside the extrusion and the solder pads do not touch any metal parts to avoid shorting of circuit.

3



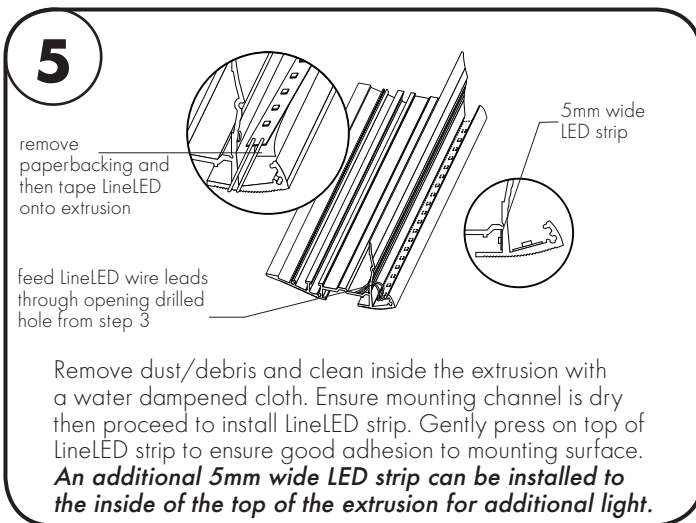
Drill a hole for electrical wires into the AST extrusion. It is recommended that the hole is located near the LineLED.

4



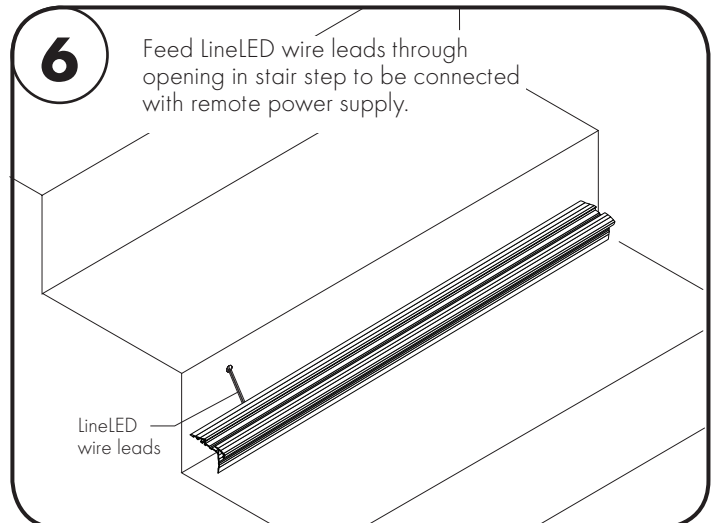
Drill opening for electrical wires for AST extrusion to connect with power supply.

5



Remove dust/debris and clean inside the extrusion with a water dampened cloth. Ensure mounting channel is dry then proceed to install LineLED strip. Gently press on top of LineLED strip to ensure good adhesion to mounting surface.
An additional 5mm wide LED strip can be installed to the inside of the top of the extrusion for additional light.

6



Feed LineLED wire leads through opening in stair step to be connected with remote power supply.

Please read all instructions prior to installation and keep for future reference!

T 224.333.6033
www.opticarts.com

1. Product should be installed by a qualified electrician.
2. Prior to installation ensure power is off at fuse box to prevent electrical shock.

Page 2 of 2

