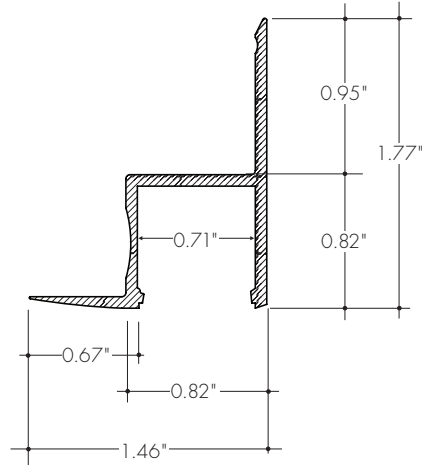
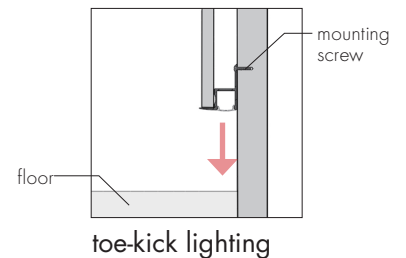
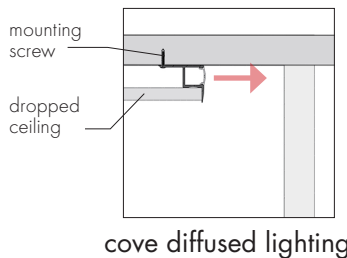
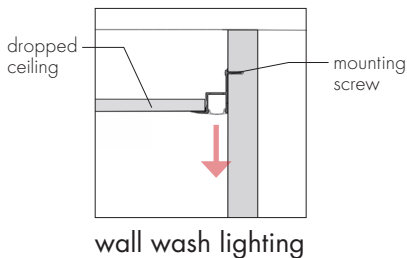


The ALE Channel is a linear aluminum extrusion has been designed to fit many LED lighting needs. Multiple configuration options allow for great flexibility in installations where two mounting materials meet, like dropped ceilings and architectural reveals. Substantial aluminum mass in profile and expanded design of the section provide excellent heat sink for high power LEDs. ALE extrusion comes with two choices of diffuser lenses.



Installation configuration options



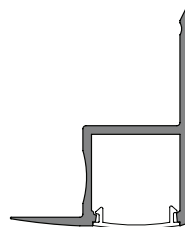
Technical information

Finish: Silver anodized

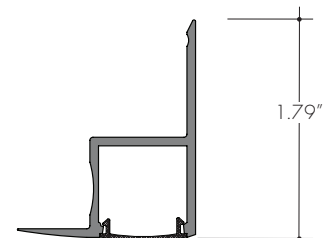
Available length: 78.75"

Diffuser: polycarbonate, snap-in-place, UV resistant
Choice of clear or frosted lens with linear spread

Mounting: direct surface application using fasteners appropriate for each mounting material (view installation instructions on luminii website)



ALE with clear lens



ALE with frosted lens

Ordering code

MODEL	LENGTH	DIFFUSER	FINISH
ALE	78	C	SA
ALE - ALE aluminum extrusion	78 - 78.75"	C - Clear F - Frosted	SA - Silver anodized