

ZOOM



TECHNICAL DESCRIPTION

Pico Zoom S is a Constant Current single source LED spotlight that is machined from aerospace grade aluminium 6063-T6 and comes as standard in white, black and brushed aluminium. It has a tool-less mechanical zoom for ultimate flexibility post installation and is fully adjustable with lockable 360° pan and 180° tilt. The zoom beam in our 2.24W 180lm module has a peak intensity of 1276cd.

MECHANICAL & ELECTRICAL

<b>CATEGORY</b> IP20	<b>WATTAGE</b> 2.24W
<b>MATERIAL</b> Machined AL 6063-T6	<b>FORWARD VOLTAGE</b> 3.2V
<b>PAN</b> 360°	<b>SUPPLY TYPE</b> Constant Current
<b>TILT</b> 180°	<b>DRIVER LOCATION</b> Remote
<b>LOCKABLE</b> Pan & Tilt	<b>DIMMING</b> DALI   0-10V   1-10V
<b>WEIGHT</b> 108g   0.24lb	

MOUNTING

**MOUNTING** M12 / Screw Fixing

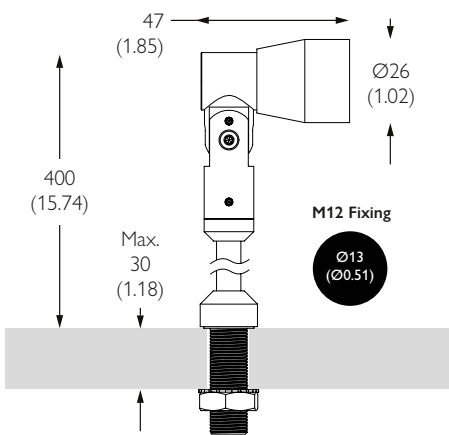
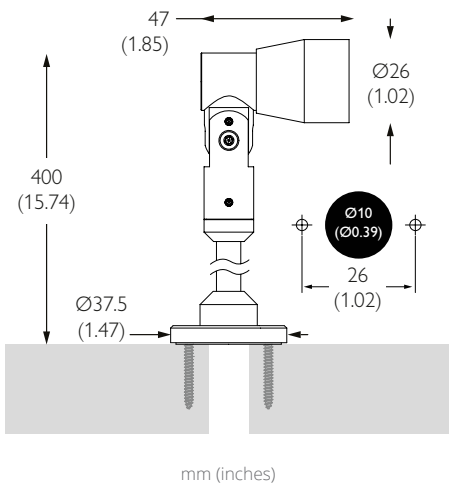
FINISHES

**FINISHES** Brushed Aluminium | Black RAL9005 | White RAL9010

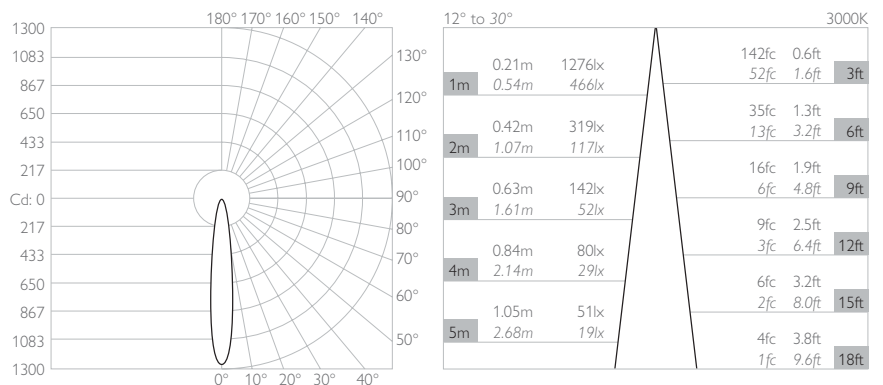
\*Premium & custom finishes are built & finished to order. These are subject to an extended lead time & MOQ.

OPTICAL & STANDARDS

<b>NOMINAL LUMENS</b> 180lm	<b>BEAM ANGLE</b> 12°
<b>DELIVERED LUMENS</b> 160lm	<b>CRI</b> 95 TYP
<b>COLOUR TEMPERATURE</b> 2700K   3000K	<b>TM-30</b> RF: 93 RG: 99
<b>ACCESSORY HOLDER</b> N/A	<b>WARRANTY</b> 5 Years
<b>ACCESSORIES</b> N/A	<b>STANDARDS</b>



Photometry shown is for 3000K module. Please enquire for other CCT photometry. L90 50,000 hours.



LUMINAIRE FINISH

	White 9010	Black 9005	Brushed Aluminium	Rubbed Bronze*	Polished Brass*	Brushed Brass*
Surface Mounting	MPN-797F-WH-XX95ZO	MPN-797F-BK-XX95ZO	MPN-797F-AL-XX95ZO			
M12 Mounting	M12-797F-WH-XX95ZO	M12-797F-BK-XX95ZO	M12-797F-AL-XX95ZO			

\*All premium & custom finishes are built & finished to order. These are subject to an extended lead time & MOQ

For 3000K Substitute XX with 30

For 2700K Substitute XX with 27