

NARROW



TECHNICAL DESCRIPTION

Pico Plus S Jack is a Constant Current single source LED spotlight that is machined from aerospace grade aluminium 6063-T6 and comes as standard in white, black and brushed aluminium. It has three site-changeable optics for flexible beam distribution and is fully adjustable with lockable 360° pan and 180° tilt. The narrow beam in our 2.24W 180lm module has a peak intensity of 1566cd. The luminaire is compatible with our Minipoint system that enables a plug and play setup where luminaires can be swapped to suit changing lighting requirements.

MECHANICAL & ELECTRICAL

<b>CATEGORY</b> IP20	<b>WATTAGE</b> 2.24W
<b>MATERIAL</b> Machined AL 6063-T6	<b>FORWARD VOLTAGE</b> 3.2V
<b>PAN</b> 360°	<b>DRIVE CURRENT</b> 700mA
<b>TILT</b> 180°	<b>SUPPLY TYPE</b> Constant Current
<b>LOCKABLE</b> Pan & Tilt	<b>DRIVER LOCATION</b> Remote
<b>WEIGHT</b> 135g   0.30lb	<b>DIMMING</b> DALI   0-10V   1-10V

MOUNTING

<b>MOUNTING</b> Minipoints	<b>CUTOUT</b> ø18mm (0.71") minipoint
<b>CEILING THICKNESS</b> 30mm (1.18") max	<b>MIN CEILING VOID</b> N/A

FINISHES

FINISHES Brushed Aluminium | Black RAL9005 | White RAL9010

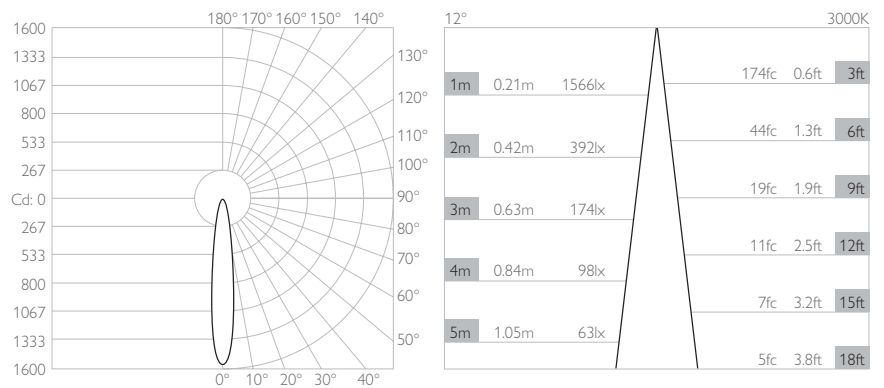
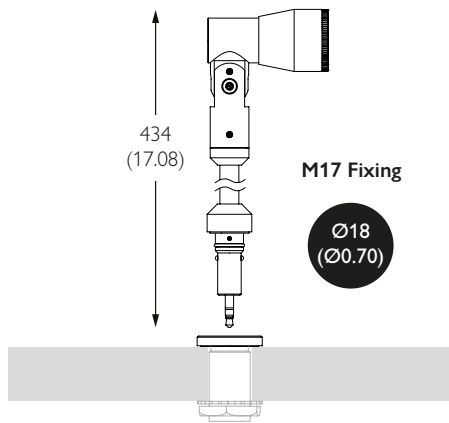
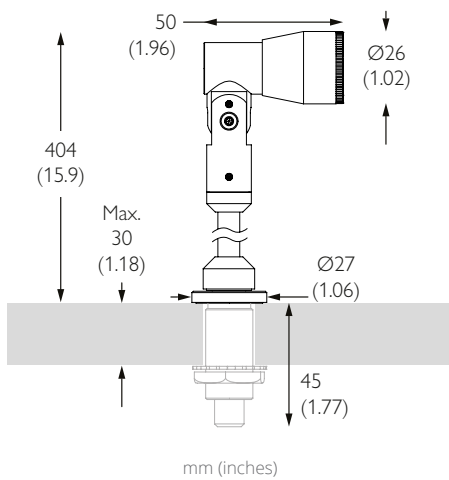
\*Premium & custom finishes are built & finished to order. These are subject to an extended lead time & MOQ.

OPTICAL & STANDARDS

<b>NOMINAL LUMENS</b> 180lm	<b>BEAM ANGLE</b> 12°
<b>DELIVERED LUMENS</b> 164lm	<b>CRI</b> 95 TYP
<b>COLOUR TEMPERATURE</b> 2700K   3000K	<b>TM-30</b> RF: 93 RG: 99
<b>ACCESSORY HOLDER</b> Integral	<b>WARRANTY</b> 5 Years
<b>ACCESSORIES</b> Snoots   Lenses 20mm (0.79")	<b>STANDARDS</b>



Photometry shown is for 3000K module. Please enquire for other CCT photometry. L90 50,000 hours.



LUMINAIRE FINISH

	White 9010	Matt Anodised Black	Brushed Aluminium	Rubbed Bronze*	Polished Brass*	Brushed Brass*
Without Minipoint	809-WH-XX9512	809-EBA-XX9512	809-AL-XX9512	809-RB-XX9512	809-PB-XX9512	809-SB-XX9512
With Minipoint	M-A-809-WH-XX9512	M-A-809-EBA-XX9512	M-A-809-AL-XX9512	M-A-809-RB-XX9512	M-A-809-PB-XX9512	M-A-809-SB-XX9512

\*All premium & custom finishes are built & finished to order. These are subject to an extended lead time & MOQ

For 3000K Substitute XX with 30

For 2700K Substitute XX with 27

MEDIUM



**TECHNICAL DESCRIPTION**

Pico Plus S Jack is a Constant Current single source LED spotlight that is machined from aerospace grade aluminium 6063-T6 and comes as standard in white, black and brushed aluminium. It has three site-changeable optics for flexible beam distribution and is fully adjustable with lockable 360° pan and 180° tilt. The medium beam in our 2.24W 180lm module has a peak intensity of 470cd. The luminaire is compatible with our Minipoint system that enables a plug and play setup where luminaires can be swapped to suit changing lighting requirements.

**MECHANICAL & ELECTRICAL**

<b>CATEGORY</b> IP20	<b>WATTAGE</b> 2.24W
<b>MATERIAL</b> Machined AL 6063-T6	<b>FORWARD VOLTAGE</b> 3.2V
<b>PAN</b> 360°	<b>DRIVE CURRENT</b> 700mA
<b>TILT</b> 180°	<b>SUPPLY TYPE</b> Constant Current
<b>LOCKABLE</b> Pan & Tilt	<b>DRIVER LOCATION</b> Remote
<b>WEIGHT</b> 135g   0.30lb	<b>DIMMING</b> DALI   0-10V   1-10V

**MOUNTING**

<b>MOUNTING</b> Minipoints	<b>CUTOUT</b> ø18mm (0.71") minipoint
<b>CEILING THICKNESS</b> 30mm (1.18") max	<b>MIN CEILING VOID</b> N/A

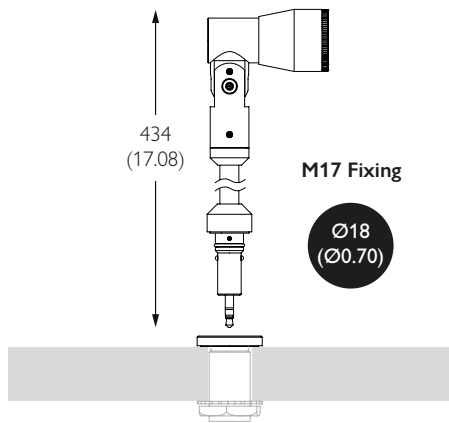
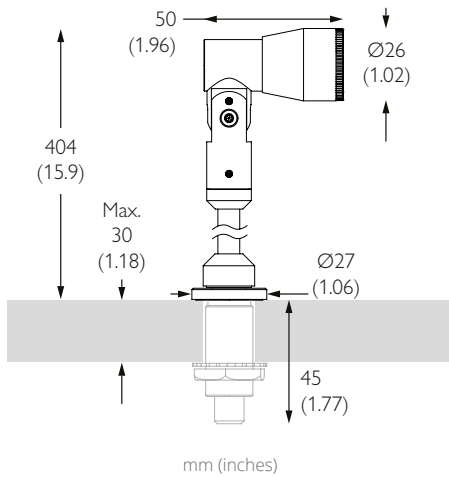
**FINISHES**

**FINISHES** Brushed Aluminium | Black RAL9005 | White RAL9010

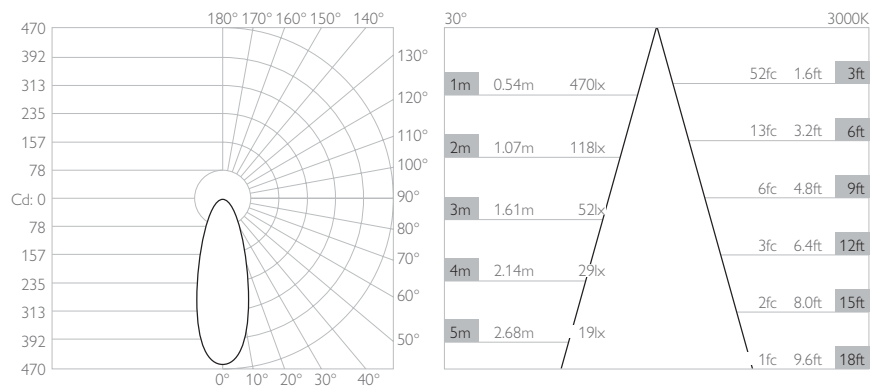
\*Premium & custom finishes are built & finished to order. These are subject to an extended lead time & MOQ.

**OPTICAL & STANDARDS**

<b>NOMINAL LUMENS</b> 180lm	<b>BEAM ANGLE</b> 30°
<b>DELIVERED LUMENS</b> 150lm	<b>CRI</b> 95 TYP
<b>COLOUR TEMPERATURE</b> 2700K   3000K	<b>TM-30</b> RF: 93 RG: 99
<b>ACCESSORY HOLDER</b> Integral	<b>WARRANTY</b> 5 Years
<b>ACCESSORIES</b> Snoots   Lenses 20mm (0.79")	<b>STANDARDS</b>



Photometry shown is for 3000K module. Please enquire for other CCT photometry. L90 50,000 hours.



**LUMINAIRE FINISH**

	White 9010	Matt Anodised Black	Brushed Aluminium	Rubbed Bronze*	Polished Brass*	Brushed Brass*
Without Minipoint	809-WH-XX9530	809-EBA-XX9530	809-AL-XX9530	809-RB-XX9530	809-PB-XX9530	809-SB-XX9530
With Minipoint	M-A-809-WH-XX9530	M-A-809-EBA-XX9530	M-A-809-AL-XX9530	M-A-809-RB-XX9530	M-A-809-PB-XX9530	M-A-809-SB-XX9530

\*All premium & custom finishes are built & finished to order. These are subject to an extended lead time & MOQ

For 3000K Substitute XX with 30

For 2700K Substitute XX with 27

FLOOD



TECHNICAL DESCRIPTION

Pico Plus S Jack is a Constant Current single source LED spotlight that is machined from aerospace grade aluminium 6063-T6 and comes as standard in white, black and brushed aluminium. It has three site-changeable optics for flexible beam distribution and is fully adjustable with lockable 360° pan and 180° tilt. The flood beam in our 2.24W 180lm module has a peak intensity of 163cd. The luminaire is compatible with our Minipoint system that enables a plug and play setup where luminaires can be swapped to suit changing lighting requirements.

MECHANICAL & ELECTRICAL

<b>CATEGORY</b> IP20	<b>WATTAGE</b> 2.24W
<b>MATERIAL</b> Machined AL 6063-T6	<b>FORWARD VOLTAGE</b> 3.2V
<b>PAN</b> 360°	<b>DRIVE CURRENT</b> 700mA
<b>TILT</b> 180°	<b>SUPPLY TYPE</b> Constant Current
<b>LOCKABLE</b> Pan & Tilt	<b>DRIVER LOCATION</b> Remote
<b>WEIGHT</b> 135g   0.30lb	<b>DIMMING</b> DALI   0-10V   1-10V

MOUNTING

<b>MOUNTING</b> Minipoints	<b>CUTOUT</b> ø18mm (0.71") minipoint
<b>CEILING THICKNESS</b> 30mm (1.18") max	<b>MIN CEILING VOID</b> N/A

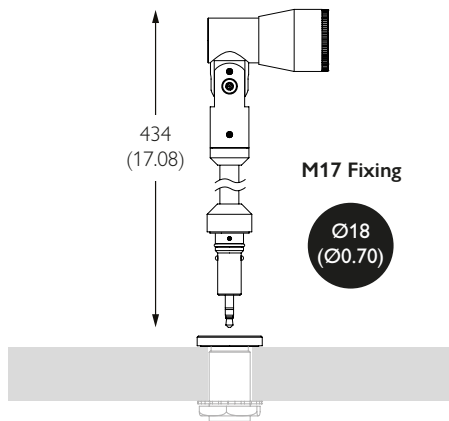
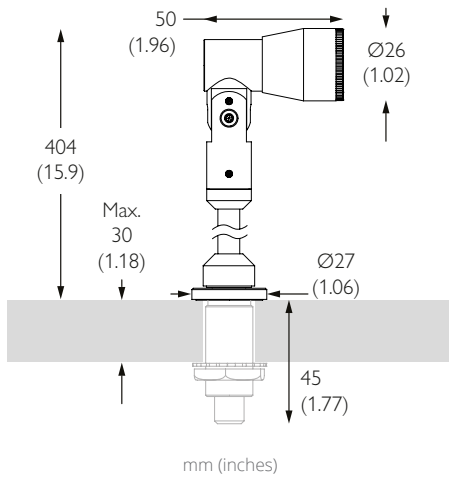
FINISHES

FINISHES Brushed Aluminium | Black RAL9005 | White RAL9010

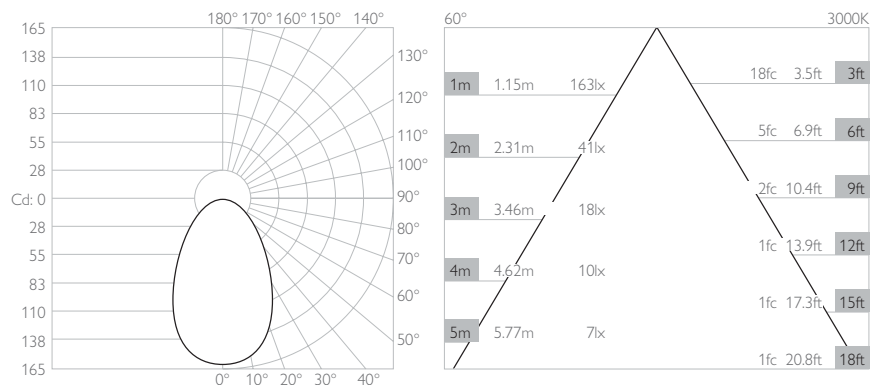
\*Premium & custom finishes are built & finished to order. These are subject to an extended lead time & MOQ.

OPTICAL & STANDARDS

<b>NOMINAL LUMENS</b> 180lm	<b>BEAM ANGLE</b> 60°
<b>DELIVERED LUMENS</b> 163lm	<b>CRI</b> 95 TYP
<b>COLOUR TEMPERATURE</b> 2700K   3000K	<b>TM-30</b> RF: 93 RG: 99
<b>ACCESSORY HOLDER</b> Integral	<b>WARRANTY</b> 5 Years
<b>ACCESSORIES</b> Snoots   Lenses 20mm (0.79")	<b>STANDARDS</b>



Photometry shown is for 3000K module. Please enquire for other CCT photometry. L90 50,000 hours.



LUMINAIRE FINISH

	White 9010	Matt Anodised Black	Brushed Aluminium	Rubbed Bronze*	Polished Brass*	Brushed Brass*
Without Minipoint	809-WH-XX9560	809-EBA-XX9560	809-AL-XX9560	809-RB-XX9560	809-PB-XX9560	809-SB-XX9560
With Minipoint	M-A-809-WH-XX9560	M-A-809-EBA-XX9560	M-A-809-AL-XX9560	M-A-809-RB-XX9560	M-A-809-PB-XX9560	M-A-809-SB-XX9560

\*All premium & custom finishes are built & finished to order. These are subject to an extended lead time & MOQ

For 3000K Substitute XX with 30

For 2700K Substitute XX with 27