

NARROW



TECHNICAL DESCRIPTION

Pico Long Snoot S is a Constant Current single source LED spotlight that is machined from aerospace grade aluminium 6063-T6 and comes as standard in white, black and brushed aluminium. It has three site-changeable optics for flexible beam distribution and is fully adjustable with lockable 360° pan and 180° tilt. The narrow beam in our 2.24W 180lm module has a peak intensity of 1566cd.

MECHANICAL & ELECTRICAL

CATEGORY IP20	WATTAGE 2.24W
MATERIAL Machined AL 6063-T6	FORWARD VOLTAGE 3.2V
PAN 360°	SUPPLY TYPE Constant Current
TILT 180°	DRIVER LOCATION Remote
LOCKABLE Pan & Tilt	DIMMING DALI 0-10V 1-10V
WEIGHT 92g 0.20lb	

MOUNTING

MOUNTING M12 / Screw Fixing

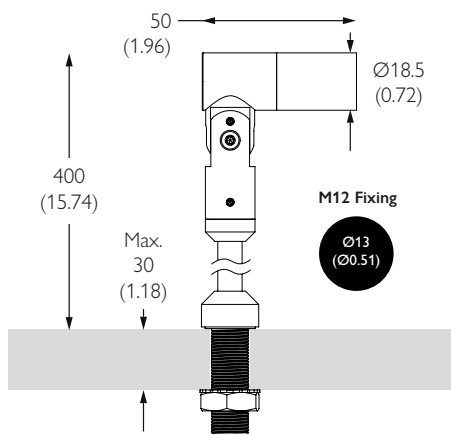
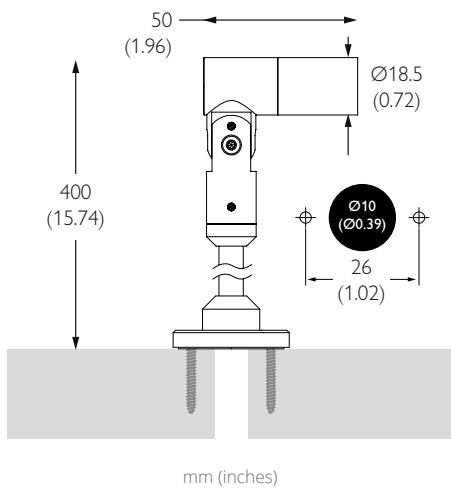
FINISHES

FINISHES Brushed Aluminium | Black RAL9005 | White RAL9010

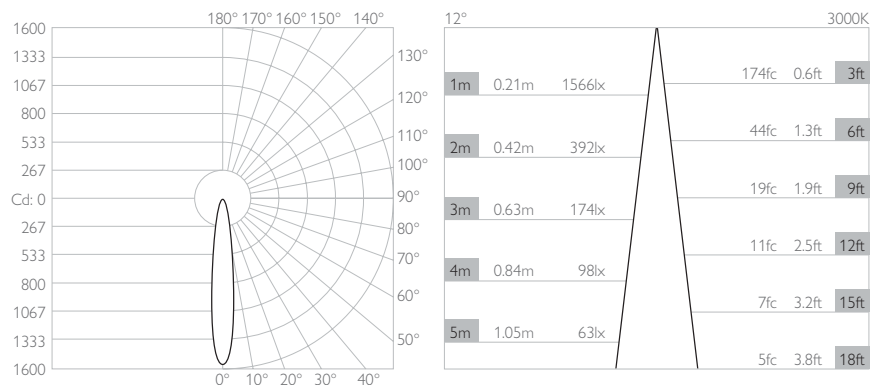
*Premium & custom finishes are built & finished to order. These are subject to an extended lead time & MOQ.

OPTICAL & STANDARDS

NOMINAL LUMENS 180lm	BEAM ANGLE 12°
DELIVERED LUMENS 164lm	CRI 95 TYP
COLOUR TEMPERATURE 2700K 3000K	TM-30 RF: 93 RG: 99
ACCESSORY HOLDER N/A	WARRANTY 5 Years
ACCESSORIES Snoots	STANDARDS



Photometry shown is for 3000K module. Please enquire for other CCT photometry. L90 50,000 hours.



LUMINAIRE FINISH

	White 9010	Black 9005	Brushed Aluminium	Rubbed Bronze*	Polished Brass*	Brushed Brass*
Surface Mounting	MPN-795F-WH-XX9512	MPN-795F-BK-XX9512	MPN-795F-AL-XX9512			
M12 Mounting	M12-795F-WH-XX9512	M12-795F-BK-XX9512	M12-795F-AL-XX9512			

*All premium & custom finishes are built & finished to order. These are subject to an extended lead time & MOQ

For 3000K Substitute XX with 30

For 2700K Substitute XX with 27

MEDIUM



TECHNICAL DESCRIPTION

Pico Long Snoot S is a Constant Current single source LED spotlight that is machined from aerospace grade aluminium 6063-T6 and comes as standard in white, black and brushed aluminium. It has three site-changeable optics for flexible beam distribution and is fully adjustable with lockable 360° pan and 180° tilt. The medium beam in our 2.24W 180lm module has a peak intensity of 470cd.

MECHANICAL & ELECTRICAL

CATEGORY IP20	WATTAGE 2.24W
MATERIAL Machined AL 6063-T6	FORWARD VOLTAGE 3.2V
PAN 360°	SUPPLY TYPE Constant Current
TILT 180°	DRIVER LOCATION Remote
LOCKABLE Pan & Tilt	DIMMING DALI 0-10V 1-10V
WEIGHT 92g 0.20lb	

MOUNTING

MOUNTING M12 / Screw Fixing

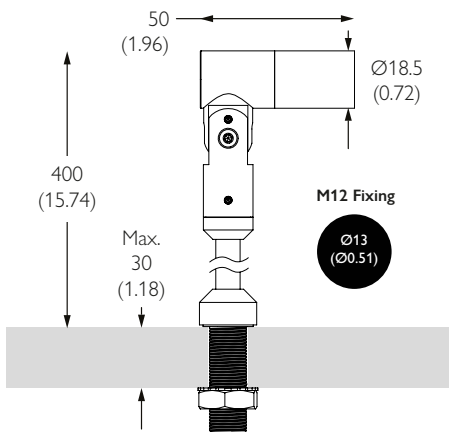
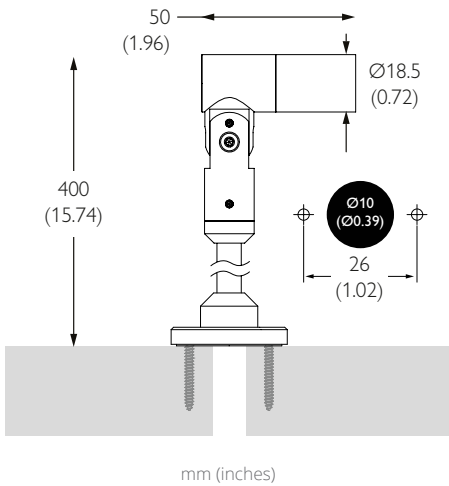
FINISHES

FINISHES Brushed Aluminium | Black RAL9005 | White RAL9010

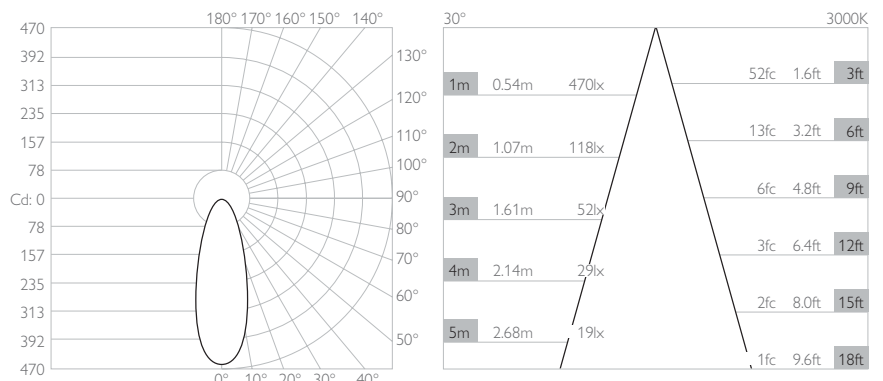
*Premium & custom finishes are built & finished to order. These are subject to an extended lead time & MOQ.

OPTICAL & STANDARDS

NOMINAL LUMENS 180lm	BEAM ANGLE 30°
DELIVERED LUMENS 150lm	CRI 95 TYP
COLOUR TEMPERATURE 2700K 3000K	TM-30 RF: 93 RG: 99
ACCESSORY HOLDER N/A	WARRANTY 5 Years
ACCESSORIES Snoots	STANDARDS



Photometry shown is for 3000K module. Please enquire for other CCT photometry. L90 50,000 hours.



LUMINAIRE FINISH

	White 9010	Black 9005	Brushed Aluminium	Rubbed Bronze*	Polished Brass*	Brushed Brass*
Surface Mounting	MPN-795F-WH-XX9530	MPN-795F-BK-XX9530	MPN-795F-AL-XX9530			
M12 Mounting	M12-795F-WH-XX9530	M12-795F-BK-XX9530	M12-795F-AL-XX9530			

*All premium & custom finishes are built & finished to order. These are subject to an extended lead time & MOQ

For 3000K Substitute XX with 30

For 2700K Substitute XX with 27

FLOOD



TECHNICAL DESCRIPTION

Pico Long Snoot S is a Constant Current single source LED spotlight that is machined from aerospace grade aluminium 6063-T6 and comes as standard in white, black and brushed aluminium. It has three site-changeable optics for flexible beam distribution and is fully adjustable with lockable 360° pan and 180° tilt. The flood beam in our 2.24W 180lm module has a peak intensity of 163cd.

MECHANICAL & ELECTRICAL

CATEGORY IP20	WATTAGE 2.24W
MATERIAL Machined AL 6063-T6	FORWARD VOLTAGE 3.2V
PAN 360°	SUPPLY TYPE Constant Current
TILT 180°	DRIVER LOCATION Remote
LOCKABLE Pan & Tilt	DIMMING DALI 0-10V 1-10V
WEIGHT 92g 0.20lb	

MOUNTING

MOUNTING M12 / Screw Fixing

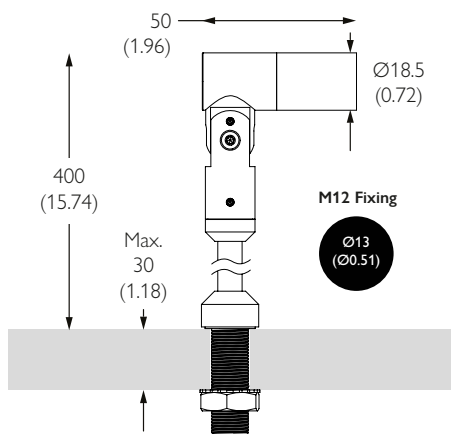
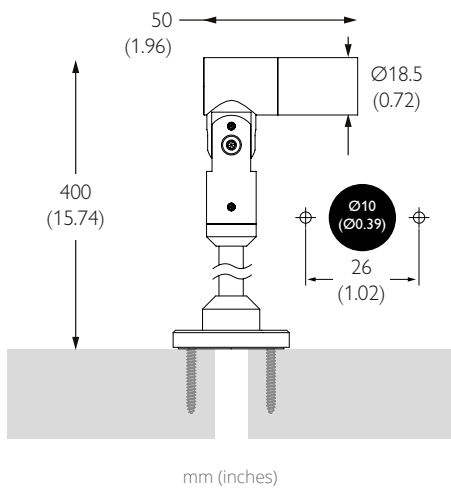
FINISHES

FINISHES Brushed Aluminium | Black RAL9005 | White RAL9010

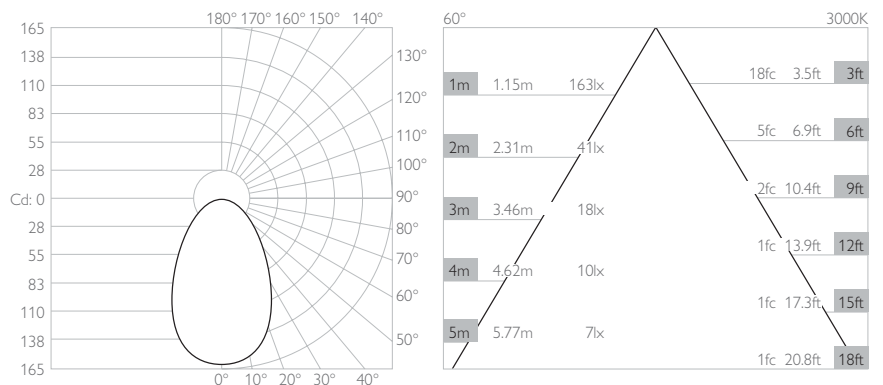
*Premium & custom finishes are built & finished to order. These are subject to an extended lead time & MOQ.

OPTICAL & STANDARDS

NOMINAL LUMENS 180lm	BEAM ANGLE 60°
DELIVERED LUMENS 163lm	CRI 95 TYP
COLOUR TEMPERATURE 2700K 3000K	TM-30 RF: 93 RG: 99
ACCESSORY HOLDER N/A	WARRANTY 5 Years
ACCESSORIES Snoots	STANDARDS



Photometry shown is for 3000K module. Please enquire for other CCT photometry. L90 50,000 hours.



LUMINAIRE FINISH

	White 9010	Black 9005	Brushed Aluminium	Rubbed Bronze*	Polished Brass*	Brushed Brass*
Surface Mounting	MPN-795F-WH-XX9560	MPN-795F-BK-XX9560	MPN-795F-AL-XX9560			
M12 Mounting	M12-795F-WH-XX9560	M12-795F-BK-XX9560	M12-795F-AL-XX9560			

*All premium & custom finishes are built & finished to order. These are subject to an extended lead time & MOQ

For 3000K Substitute XX with 30

For 2700K Substitute XX with 27