

# MINIMO 16 PLUS FIXED TRIMLESS

## 19° NARROW BEAM



### TECHNICAL DESCRIPTION

Minimo 16 Plus Fixed Trimless is a Constant Current single source pro-series downlight that is machined from aerospace grade aluminium 6063-T6 and comes as standard in white and black along with a range of premium finishes. It has four site-changeable optics for flexible beam distribution. The narrow beam in our 12.60W 1200lm module has a peak intensity of 6389cd. The integral accessory holder can accommodate 32mm lenses and louvers.

### MECHANICAL & ELECTRICAL

**CATEGORY** IP20

**MATERIAL** Machined AL 6063-T6

**PAN** N/A

**TILT** N/A

**LOCKABLE** N/A

**WEIGHT** 249g | 0.55lb

**WATTAGE** 12.60W

**FORWARD VOLTAGE** 18V

**DRIVE CURRENT** 700mA

**SUPPLY TYPE** Constant Current

**DRIVER LOCATION** Remote

**DIMMING** DALI | 0-10V | 1-10V | Casambi

### MOUNTING

**MOUNTING** Recessed

**CEILING THICKNESS** min 5mm (0.20")

**CUTOUT** ø76mm (3.00")

**MIN CEILING VOID** 20mm (0.79") clearance above

### FINISHES

**FINISHES** White RAL9010 | Black RAL9005 | Matt Gold Paint

\*Premium & custom finishes are built & finished to order. These are subject to an extended lead time & MOQ.

### OPTICAL & STANDARDS

**NOMINAL LUMENS** 1200lm

**DELIVERED LUMENS** 887lm

**COLOUR TEMPERATURE** 2400K | 2700K | 3000K

**ACCESSORY HOLDER** Integral

**ACCESSORIES** Louver | Lenses 32mm

**TM65** 13.09kgCO2e

**TM66** 2.2

**BEAM ANGLE** 19°

**CRI** 92 TYP - 2400K | 98 TYP - 2700K/3000K

**TM-30** RF: 95 RG: 101

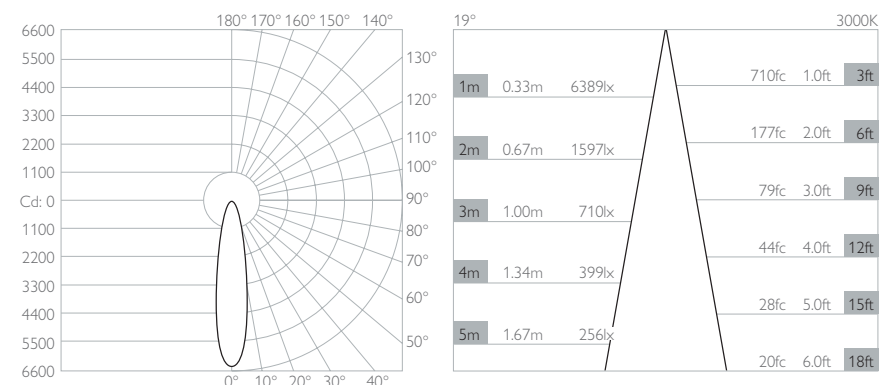
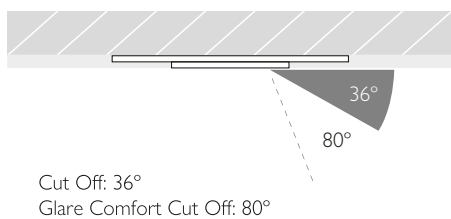
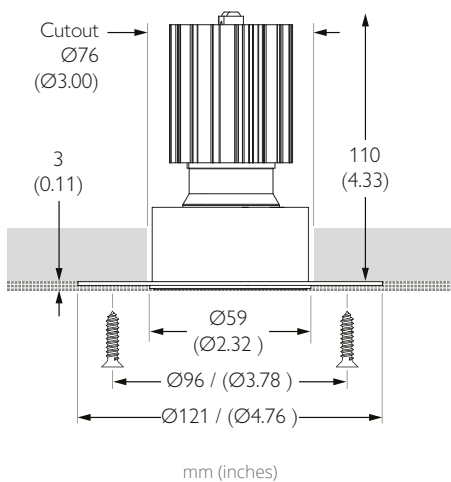
**WARRANTY** 5 Years

**LIFETIME** L90B10 50,000hrs

**STANDARDS**



Photometry shown is for 3000K module. Please enquire for other CCT photometry.



### APERTURE FINISH

White 9010	Black 9005	Matt Gold Painted
RCT-631C-WH-XX98NA	RCT-631C-BK-XX98NA	RCT-631C-MG-XX98NA

\*All premium & custom finishes are built & finished to order. These are subject to an extended lead time & MOQ

For 3000K Substitute XX with 30

For 2700K Substitute XX with 27

# MINIMO 16 PLUS FIXED TRIMLESS

## 25° MEDIUM BEAM



### TECHNICAL DESCRIPTION

Minimo 16 Plus Fixed Trimless is a Constant Current single source pro-series downlight that is machined from aerospace grade aluminium 6063-T6 and comes as standard in white and black along with a range of premium finishes. It has four site-changeable optics for flexible beam distribution. The medium beam in our 12.60W 1200lm module has a peak intensity of 5069cd. The integral accessory holder can accommodate 32mm lenses and louvers.

### MECHANICAL & ELECTRICAL

**CATEGORY** IP20

**MATERIAL** Machined AL 6063-T6

**PAN** N/A

**TILT** N/A

**LOCKABLE** N/A

**WEIGHT** 249g | 0.55lb

**WATTAGE** 12.60W

**FORWARD VOLTAGE** 18V

**DRIVE CURRENT** 700mA

**SUPPLY TYPE** Constant Current

**DRIVER LOCATION** Remote

**DIMMING** DALI | 0-10V | 1-10V | Casambi

### MOUNTING

**MOUNTING** Recessed

**CEILING THICKNESS** min 5mm (0.20")

**CUTOUT** ø76mm (3.00")

**MIN CEILING VOID** 20mm (0.79") clearance above

### FINISHES

**FINISHES** White RAL9010 | Black RAL9005 | Matt Gold Paint

\*Premium & custom finishes are built & finished to order. These are subject to an extended lead time & MOQ.

### OPTICAL & STANDARDS

**NOMINAL LUMENS** 1200lm

**DELIVERED LUMENS** 1001lm

**COLOUR TEMPERATURE** 2400K | 2700K | 3000K

**ACCESSORY HOLDER** Integral

**ACCESSORIES** Louver | Lenses 32mm

**TM65** 13.09kgCO2e

**TM66** 2.2

**BEAM ANGLE** 25°

**CRI** 92 TYP - 2400K | 98 TYP - 2700K/3000K

**TM-30** RF: 95 RG: 101

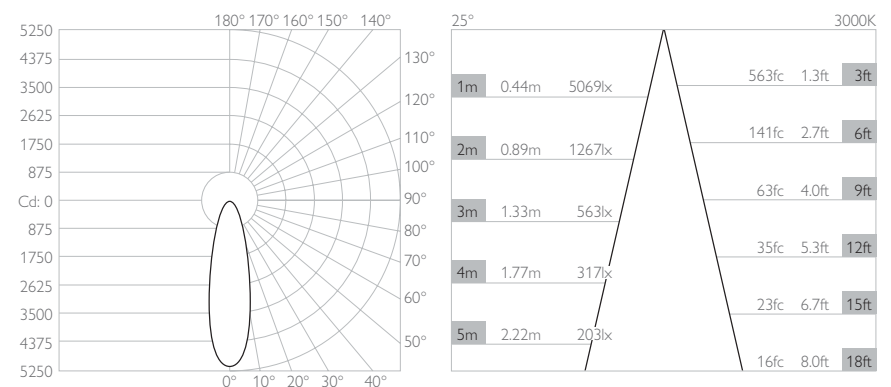
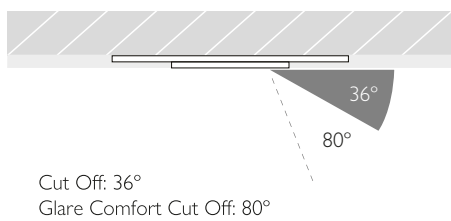
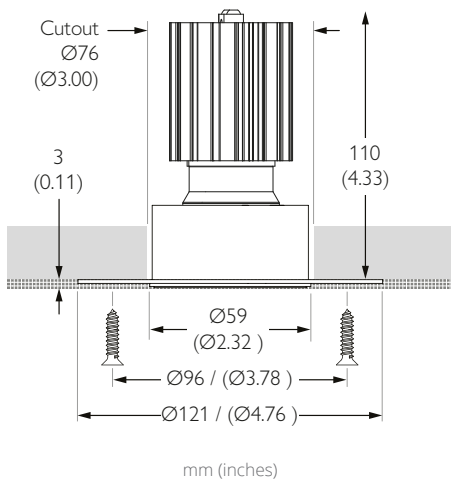
**WARRANTY** 5 Years

**LIFETIME** L90B10 50,000hrs

**STANDARDS**



Photometry shown is for 3000K module. Please enquire for other CCT photometry.



### APERTURE FINISH

White 9010	Black 9005	Matt Gold Painted
RCT-631C-WH-XX98ME	RCT-631C-BK-XX98ME	RCT-631C-MG-XX98ME

\*All premium & custom finishes are built & finished to order. These are subject to an extended lead time & MOQ

For 3000K Substitute XX with 30

For 2700K Substitute XX with 27

# MINIMO 16 PLUS FIXED TRIMLESS

37° WIDE BEAM



## TECHNICAL DESCRIPTION

Minimo 16 Plus Fixed Trimless is a Constant Current single source pro-series downlight that is machined from aerospace grade aluminium 6063-T6 and comes as standard in white and black along with a range of premium finishes. It has four site-changeable optics for flexible beam distribution. The wide beam in our 12.60W 1200lm module has a peak intensity of 2473cd. The integral accessory holder can accommodate 32mm lenses and louvers.

## MECHANICAL & ELECTRICAL

**CATEGORY** IP20

**MATERIAL** Machined AL 6063-T6

**PAN** N/A

**TILT** N/A

**LOCKABLE** N/A

**WEIGHT** 249g | 0.55lb

**WATTAGE** 12.60W

**FORWARD VOLTAGE** 18V

**DRIVE CURRENT** 700mA

**SUPPLY TYPE** Constant Current

**DRIVER LOCATION** Remote

**DIMMING** DALI | 0-10V | 1-10V | Casambi

## MOUNTING

**MOUNTING** Recessed

**CEILING THICKNESS** min 5mm (0.20")

**CUTOUT** ø76mm (3.00")

**MIN CEILING VOID** 20mm (0.79") clearance above

## FINISHES

**FINISHES** White RAL9010 | Black RAL9005 | Matt Gold Paint

\*Premium & custom finishes are built & finished to order. These are subject to an extended lead time & MOQ.

## OPTICAL & STANDARDS

**NOMINAL LUMENS** 1200lm

**DELIVERED LUMENS** 997lm

**COLOUR TEMPERATURE** 2400K | 2700K | 3000K

**ACCESSORY HOLDER** Integral

**ACCESSORIES** Louver | Lenses 32mm

**TM65** 13.09kgCO2e

**TM66** 2.2

**BEAM ANGLE** 37°

**CRI** 92 TYP - 2400K | 98 TYP - 2700K/3000K

**TM-30** RF: 95 RG: 101

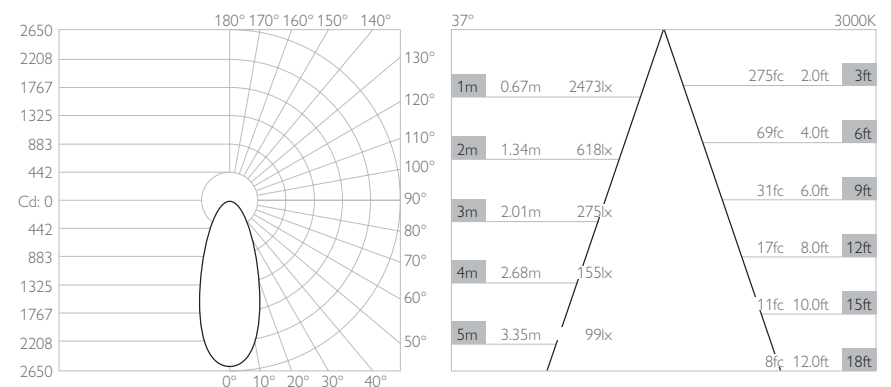
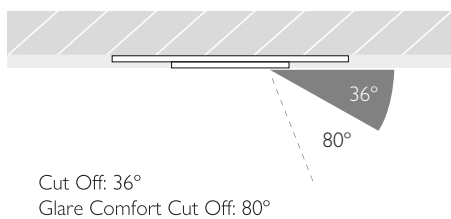
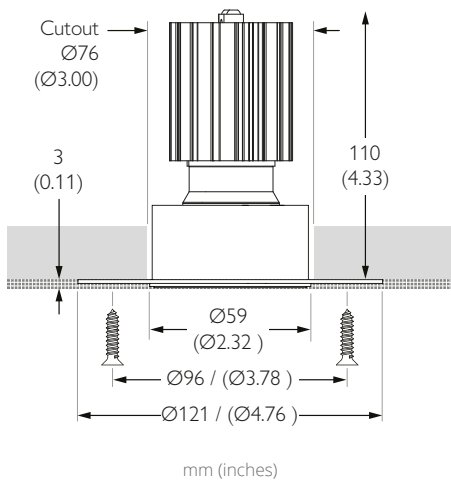
**WARRANTY** 5 Years

**LIFETIME** L90B10 50,000hrs

**STANDARDS**



Photometry shown is for 3000K module. Please enquire for other CCT photometry.



## APERTURE FINISH

White 9010	Black 9005	Matt Gold Painted
RCT-631C-WH-XX98FL	RCT-631C-BK-XX98FL	RCT-631C-MG-XX98FL

\*All premium & custom finishes are built & finished to order. These are subject to an extended lead time & MOQ

For 3000K Substitute XX with 30

For 2700K Substitute XX with 27

# MINIMO 16 PLUS FIXED TRIMLESS

50° VERY WIDE BEAM



## TECHNICAL DESCRIPTION

Minimo 16 Plus Fixed Trimless is a Constant Current single source pro-series downlight that is machined from aerospace grade aluminium 6063-T6 and comes as standard in white and black along with a range of premium finishes. It has four site-changeable optics for flexible beam distribution. The very wide beam in our 12.60W 1200lm module has a peak intensity of 1537cd. The integral accessory holder can accommodate 32mm lenses and louvers.

## MECHANICAL & ELECTRICAL

**CATEGORY** IP20

**MATERIAL** Machined AL 6063-T6

**PAN** N/A

**TILT** N/A

**LOCKABLE** N/A

**WEIGHT** 249g | 0.55lb

**WATTAGE** 12.60W

**FORWARD VOLTAGE** 18V

**DRIVE CURRENT** 700mA

**SUPPLY TYPE** Constant Current

**DRIVER LOCATION** Remote

**DIMMING** DALI | 0-10V | 1-10V | Casambi

## MOUNTING

**MOUNTING** Recessed

**CEILING THICKNESS** min 5mm (0.20")

**CUTOUT** ø76mm (3.00")

**MIN CEILING VOID** 20mm (0.79") clearance above

## FINISHES

**FINISHES** White RAL9010 | Black RAL9005 | Matt Gold Paint

\*Premium & custom finishes are built & finished to order. These are subject to an extended lead time & MOQ.

## OPTICAL & STANDARDS

**NOMINAL LUMENS** 1200lm

**DELIVERED LUMENS** 912lm

**COLOUR TEMPERATURE** 2400K | 2700K | 3000K

**ACCESSORY HOLDER** Integral

**ACCESSORIES** Louver | Lenses 32mm

**TM65** 13.09kgCO2e

**TM66** 2.2

**BEAM ANGLE** 50°

**CRI** 92 TYP - 2400K | 98 TYP - 2700K/3000K

**TM-30** RF: 95 RG: 101

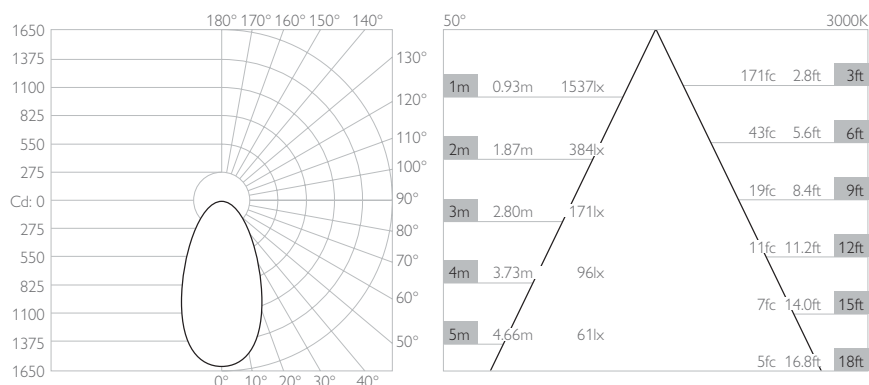
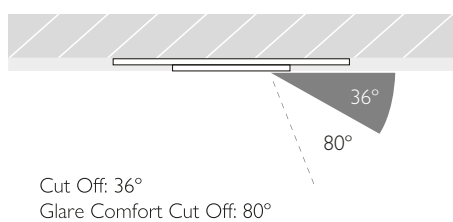
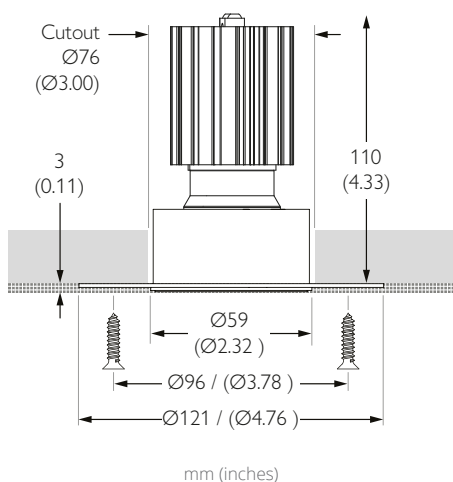
**WARRANTY** 5 Years

**LIFETIME** L90B10 50,000hrs

**STANDARDS**



Photometry shown is for 3000K module. Please enquire for other CCT photometry.



## APERTURE FINISH

White 9010	Black 9005	Matt Gold Painted
RCT-631C-WH-XX98WF	RCT-631C-BK-XX98WF	RCT-631C-MG-XX98WF

\*All premium & custom finishes are built & finished to order. These are subject to an extended lead time & MOQ

For 3000K Substitute XX with 30

For 2700K Substitute XX with 27