

# MINIMO 16 PLUS FIXED PINHOLE

## 19° NARROW BEAM



### TECHNICAL DESCRIPTION

Minimo 16 Plus Fixed Pinhole is a Constant Current single source pro-series downlight that is machined from aerospace grade aluminium 6063-T6 and comes as standard in white and black. It has four site-changeable optics for flexible beam distribution. The narrow beam in our 12.60W 1200lm module has a peak intensity of 6389cd. The integral accessory holder can accommodate 32mm lenses and louvers.

### MECHANICAL & ELECTRICAL

**CATEGORY** IP20

**MATERIAL** Machined AL 6063-T6

**PAN** N/A

**TILT** N/A

**LOCKABLE** N/A

**WEIGHT** 249g | 0.55lb

**WATTAGE** 12.60W

**FORWARD VOLTAGE** 18V

**DRIVE CURRENT** 700mA

**SUPPLY TYPE** Constant Current

**DRIVER LOCATION** Remote

**DIMMING** DALI | 0-10V | 1-10V | Casambi

### MOUNTING

**MOUNTING** Recessed

**CEILING THICKNESS** 3-25mm (0.12-0.98")

**CUTOUT** ø65mm (2.56")

**MIN CEILING VOID** 20mm (0.79") clearance above

### FINISHES

**FINISHES** White RAL9010 | Black RAL9005

\*Premium & custom finishes are built & finished to order. These are subject to an extended lead time & MOQ.

### OPTICAL & STANDARDS

**NOMINAL LUMENS** 1200lm

**DELIVERED LUMENS** 887lm

**COLOUR TEMPERATURE** 2400K | 2700K | 3000K

**ACCESSORY HOLDER** Integral

**ACCESSORIES** Louver | Lenses 32mm

**TM65** 13.09kgCO2e

**TM66** 2.2

**BEAM ANGLE** 19°

**CRI** 92 TYP - 2400K | 98 TYP - 2700K/3000K

**TM-30** RF: 95 RG: 101

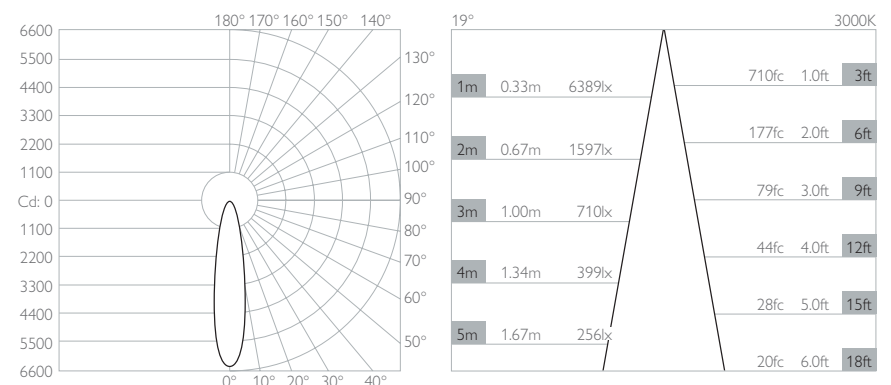
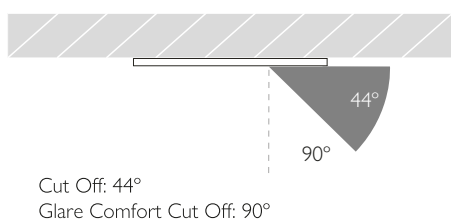
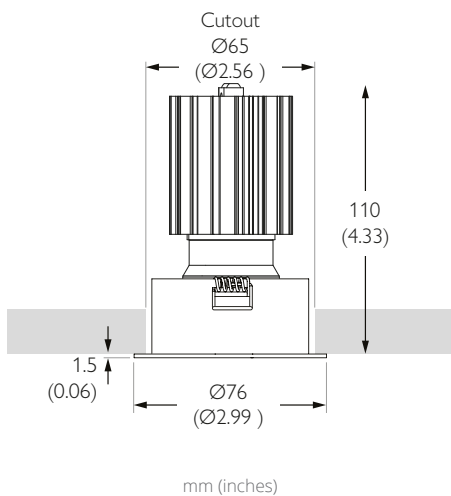
**WARRANTY** 5 Years

**LIFETIME** L90B10 50,000hrs

**STANDARDS**



Photometry shown is for 3000K module. Please enquire for other CCT photometry.



### LUMINAIRE FINISH

White 9010	Black 9005
RCD-632C-WH-XX98NA	RCD-632C-BK-XX98NA

\*All premium & custom finishes are built & finished to order. These are subject to an extended lead time & MOQ

For 3000K Substitute XX with 30

For 2700K Substitute XX with 27

# MINIMO 16 PLUS FIXED PINHOLE

## 25° MEDIUM BEAM



### TECHNICAL DESCRIPTION

Minimo 16 Plus Fixed Pinhole is a Constant Current single source pro-series downlight that is machined from aerospace grade aluminium 6063-T6 and comes as standard in white and black. It has four site-changeable optics for flexible beam distribution. The medium beam in our 12.60W 1200lm module has a peak intensity of 5069cd. The integral accessory holder can accommodate 32mm lenses and louvers.

### MECHANICAL & ELECTRICAL

**CATEGORY** IP20

**MATERIAL** Machined AL 6063-T6

**PAN** N/A

**TILT** N/A

**LOCKABLE** N/A

**WEIGHT** 249g | 0.55lb

**WATTAGE** 12.60W

**FORWARD VOLTAGE** 18V

**DRIVE CURRENT** 700mA

**SUPPLY TYPE** Constant Current

**DRIVER LOCATION** Remote

**DIMMING** DALI | 0-10V | 1-10V | Casambi

### MOUNTING

**MOUNTING** Recessed

**CEILING THICKNESS** 3-25mm (0.12-0.98")

**CUTOUT** ø65mm (2.56")

**MIN CEILING VOID** 20mm (0.79") clearance above

### FINISHES

**FINISHES** White RAL9010 | Black RAL9005

\*Premium & custom finishes are built & finished to order. These are subject to an extended lead time & MOQ.

### OPTICAL & STANDARDS

**NOMINAL LUMENS** 1200lm

**DELIVERED LUMENS** 1001lm

**COLOUR TEMPERATURE** 2400K | 2700K | 3000K

**ACCESSORY HOLDER** Integral

**ACCESSORIES** Louver | Lenses 32mm

**TM65** 13.09kgCO2e

**TM66** 2.2

**BEAM ANGLE** 25°

**CRI** 92 TYP - 2400K | 98 TYP - 2700K/3000K

**TM-30** RF: 95 RG: 101

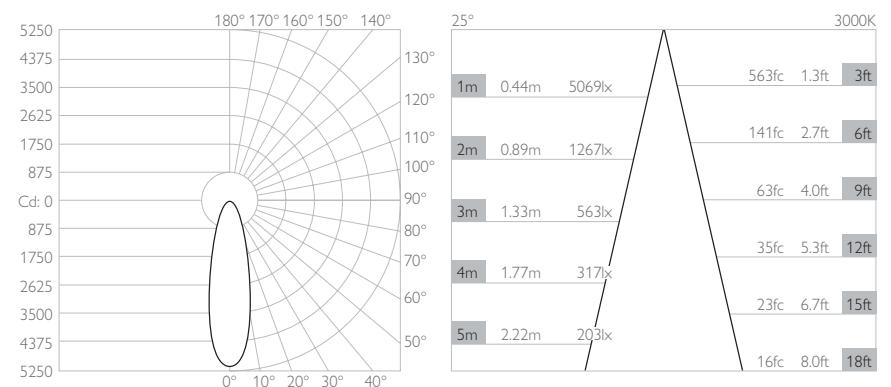
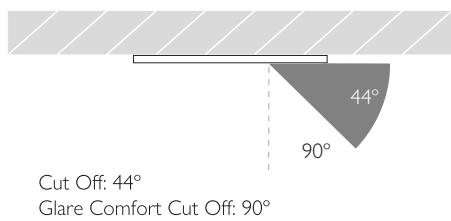
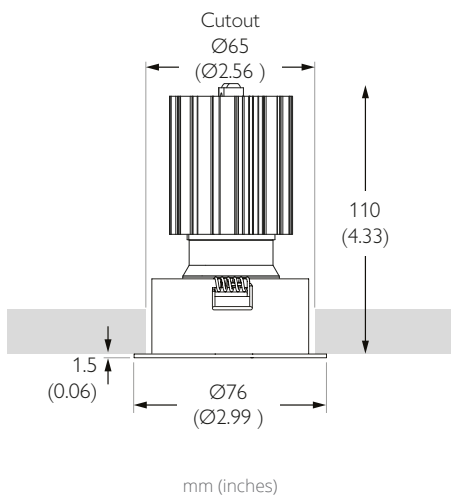
**WARRANTY** 5 Years

**LIFETIME** L90B10 50,000hrs

**STANDARDS**



Photometry shown is for 3000K module. Please enquire for other CCT photometry.



### LUMINAIRE FINISH

White 9010	Black 9005
RCD-632C-WH-XX98ME	RCD-632C-BK-XX98ME

\*All premium & custom finishes are built & finished to order. These are subject to an extended lead time & MOQ

For 3000K Substitute XX with 30

For 2700K Substitute XX with 27

# MINIMO 16 PLUS FIXED PINHOLE

37° WIDE BEAM



## TECHNICAL DESCRIPTION

Minimo 16 Plus Fixed Pinhole is a Constant Current single source pro-series downlight that is machined from aerospace grade aluminium 6063-T6 and comes as standard in white and black. It has four site-changeable optics for flexible beam distribution. The wide beam in our 12.60W 1200lm module has a peak intensity of 2473cd. The integral accessory holder can accommodate 32mm lenses and louvers.

## MECHANICAL & ELECTRICAL

**CATEGORY** IP20

**MATERIAL** Machined AL 6063-T6

**PAN** N/A

**TILT** N/A

**LOCKABLE** N/A

**WEIGHT** 249g | 0.55lb

**WATTAGE** 12.60W

**FORWARD VOLTAGE** 18V

**DRIVE CURRENT** 700mA

**SUPPLY TYPE** Constant Current

**DRIVER LOCATION** Remote

**DIMMING** DALI | 0-10V | 1-10V | Casambi

## MOUNTING

**MOUNTING** Recessed

**CEILING THICKNESS** 3-25mm (0.12-0.98")

**CUTOUT** ø65mm (2.56")

**MIN CEILING VOID** 20mm (0.79") clearance above

## FINISHES

**FINISHES** White RAL9010 | Black RAL9005

\*Premium & custom finishes are built & finished to order. These are subject to an extended lead time & MOQ.

## OPTICAL & STANDARDS

**NOMINAL LUMENS** 1200lm

**DELIVERED LUMENS** 997lm

**COLOUR TEMPERATURE** 2400K | 2700K | 3000K

**ACCESSORY HOLDER** Integral

**ACCESSORIES** Louver | Lenses 32mm

**TM65** 13.09kgCO2e

**TM66** 2.2

**BEAM ANGLE** 37°

**CRI** 92 TYP - 2400K | 98 TYP - 2700K/3000K

**TM-30** RF: 95 RG: 101

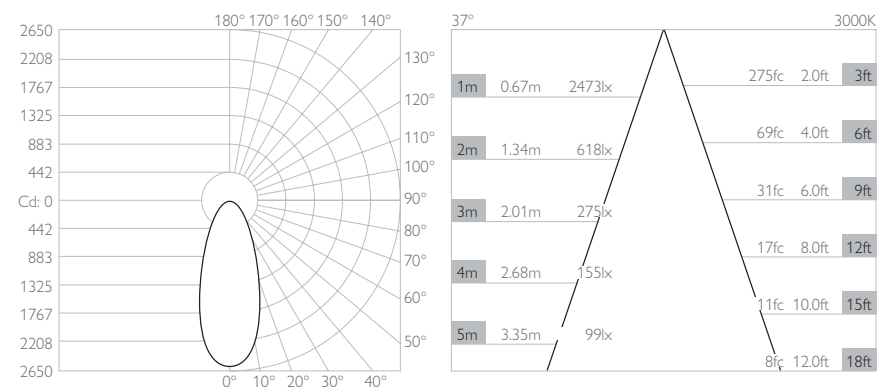
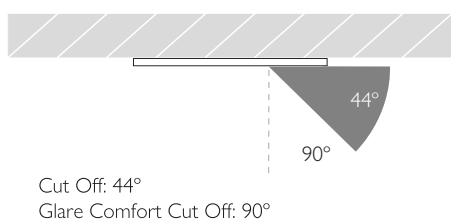
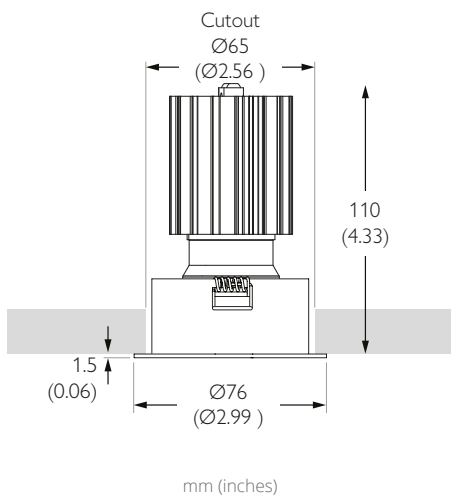
**WARRANTY** 5 Years

**LIFETIME** L90B10 50,000hrs

**STANDARDS**



Photometry shown is for 3000K module. Please enquire for other CCT photometry.



## LUMINAIRE FINISH

White 9010	Black 9005
RCD-632C-WH-XX98FL	RCD-632C-BK-XX98FL

\*All premium & custom finishes are built & finished to order. These are subject to an extended lead time & MOQ

For 3000K Substitute XX with 30 - For 2700K Substitute XX with 27

# MINIMO 16 PLUS FIXED PINHOLE

50° VERY WIDE BEAM



## TECHNICAL DESCRIPTION

Minimo 16 Plus Fixed Pinhole is a Constant Current single source pro-series downlight that is machined from aerospace grade aluminium 6063-T6 and comes as standard in white and black. It has four site-changeable optics for flexible beam distribution. The very wide beam in our 12.60W 1200lm module has a peak intensity of 1537cd. The integral accessory holder can accommodate 32mm lenses and louvers.

## MECHANICAL & ELECTRICAL

**CATEGORY** IP20

**MATERIAL** Machined AL 6063-T6

**PAN** N/A

**TILT** N/A

**LOCKABLE** N/A

**WEIGHT** 249g | 0.55lb

**WATTAGE** 12.60W

**FORWARD VOLTAGE** 18V

**DRIVE CURRENT** 700mA

**SUPPLY TYPE** Constant Current

**DRIVER LOCATION** Remote

**DIMMING** DALI | 0-10V | 1-10V | Casambi

## MOUNTING

**MOUNTING** Recessed

**CEILING THICKNESS** 3-25mm (0.12-0.98")

**CUTOUT** ø65mm (2.56")

**MIN CEILING VOID** 20mm (0.79") clearance above

## FINISHES

**FINISHES** White RAL9010 | Black RAL9005

\*Premium & custom finishes are built & finished to order. These are subject to an extended lead time & MOQ.

## OPTICAL & STANDARDS

**NOMINAL LUMENS** 1200lm

**DELIVERED LUMENS** 912lm

**COLOUR TEMPERATURE** 2400K | 2700K | 3000K

**ACCESSORY HOLDER** Integral

**ACCESSORIES** Louver | Lenses 32mm

**TM65** 13.09kgCO2e

**TM66** 2.2

**BEAM ANGLE** 50°

**CRI** 92 TYP - 2400K | 98 TYP - 2700K/3000K

**TM-30** RF: 95 RG: 101

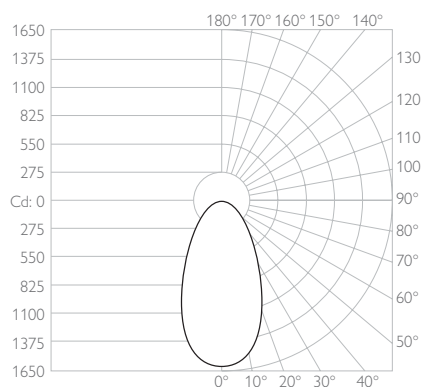
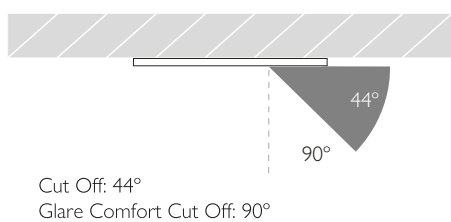
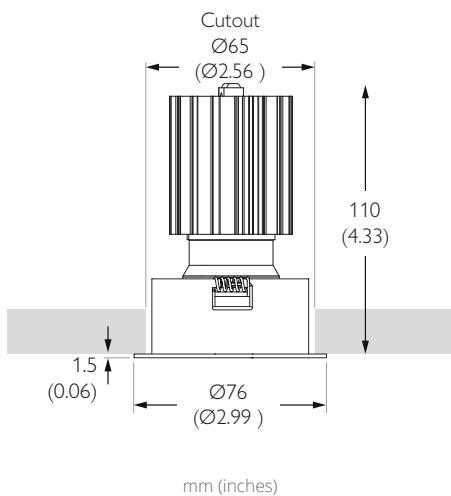
**WARRANTY** 5 Years

**LIFETIME** L90B10 50,000hrs

**STANDARDS**

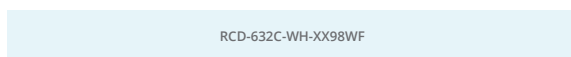
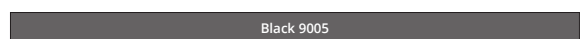


Photometry shown is for 3000K module. Please enquire for other CCT photometry.



Height	Beam Diameter	Beam Area	Beam Diameter	Beam Area
1m	0.93m	1537lx	171fc 2.8ft	3ft
2m	1.87m	384lx	43fc 5.6ft	6ft
3m	2.80m	171lx	19fc 8.4ft	9ft
4m	3.73m	96lx	11fc 11.2ft	12ft
5m	4.66m	61lx	7fc 14.0ft	15ft
			5fc 16.8ft	18ft

## LUMINAIRE FINISH



\*All premium & custom finishes are built & finished to order. These are subject to an extended lead time & MOQ

For 3000K Substitute XX with 30

For 2700K Substitute XX with 27