

ULTRA NARROW



## TECHNICAL DESCRIPTION

Minimo 16 Fixed Pinhole IP54 is a Constant Current single source LED downlight that is machined from aerospace grade aluminium 6063-T6 and comes as standard in white and black. It has five site-changeable optics for flexible beam distribution. The ultra narrow beam in our 8.40W 700lm module has a peak intensity of 12512cd. The integral accessory holder can accommodate 32mm lenses and louvers.

## MECHANICAL & ELECTRICAL

<b>CATEGORY</b> IP54	<b>WATTAGE</b> 8.40W
<b>MATERIAL</b> Machined AL 6063-T6	<b>FORWARD VOLTAGE</b> 12V
<b>PAN</b> N/A	<b>DRIVE CURRENT</b> 700mA
<b>TILT</b> N/A	<b>SUPPLY TYPE</b> Constant Current
<b>LOCKABLE</b> N/A	<b>DRIVER LOCATION</b> Remote
<b>WEIGHT</b> 264g   0.58lb	<b>DIMMING</b> DALI   0-10V   1-10V

## MOUNTING

<b>MOUNTING</b> Recessed	<b>CUTOUT</b> ø65mm (2.56")
<b>CEILING THICKNESS</b> 3-25mm (0.12-0.98")	<b>MIN CEILING VOID</b> 20mm (0.79") clearance above

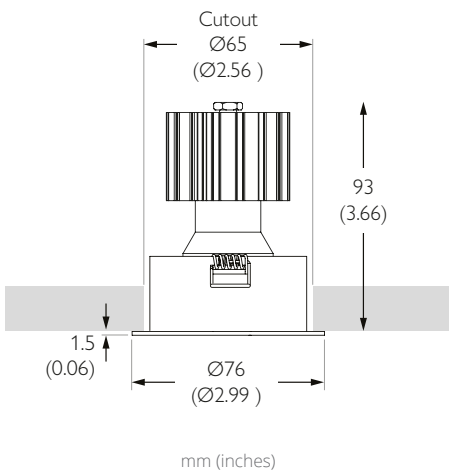
## FINISHES

**FINISHES** White RAL9010 | Black RAL9005

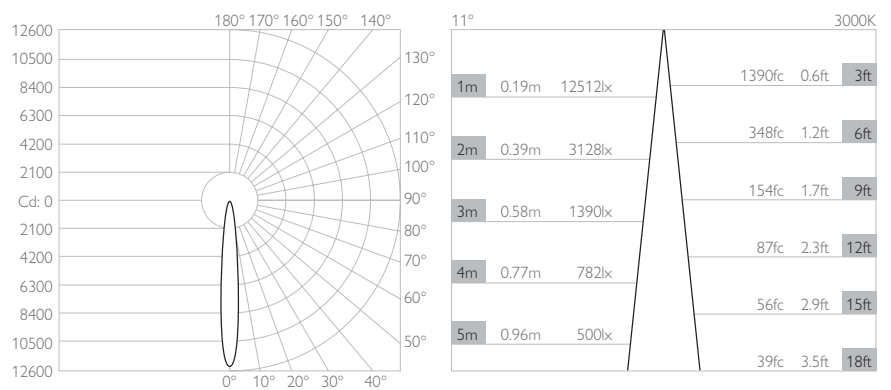
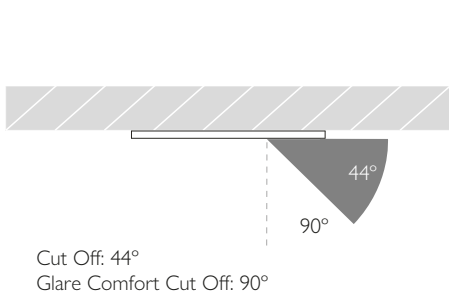
\*Premium & custom finishes are built & finished to order. These are subject to an extended lead time & MOQ.

## OPTICAL & STANDARDS

<b>NOMINAL LUMENS</b> 700lm	<b>BEAM ANGLE</b> 11°
<b>DELIVERED LUMENS</b> 661lm	<b>CRI</b> 92 TYP
<b>COLOUR TEMPERATURE</b> 2700K   3000K	<b>TM-30</b> RF: 90 RG: 99
<b>ACCESSORY HOLDER</b> Integral	<b>WARRANTY</b> 5 Years
<b>ACCESSORIES</b> Louver   Lenses 32mm	<b>STANDARDS</b>



Photometry shown is for 3000K module. Please enquire for other CCT photometry. L90 50,000 hours.



## LUMINAIRE FINISH

White 9010	Black 9005
RCD-634-WH-XX9209	RCD-634-BK-XX9209

\*All premium & custom finishes are built & finished to order. These are subject to an extended lead time & MOQ

# MINIMO 16 FIXED PINHOLE IP54

NARROW



## TECHNICAL DESCRIPTION

Minimo 16 Fixed Pinhole IP54 is a Constant Current single source LED downlight that is machined from aerospace grade aluminium 6063-T6 and comes as standard in white and black. It has five site-changeable optics for flexible beam distribution. The narrow beam in our 8.40W 700lm module has a peak intensity of 8971cd. The integral accessory holder can accommodate 32mm lenses and louvers.

## MECHANICAL & ELECTRICAL

<b>CATEGORY</b> IP54	<b>WATTAGE</b> 8.40W
<b>MATERIAL</b> Machined AL 6063-T6	<b>FORWARD VOLTAGE</b> 12V
<b>PAN</b> N/A	<b>DRIVE CURRENT</b> 700mA
<b>TILT</b> N/A	<b>SUPPLY TYPE</b> Constant Current
<b>LOCKABLE</b> N/A	<b>DRIVER LOCATION</b> Remote
<b>WEIGHT</b> 264g   0.58lb	<b>DIMMING</b> DALI   0-10V   1-10V

## MOUNTING

<b>MOUNTING</b> Recessed	<b>CUTOUT</b> ø65mm (2.56")
<b>CEILING THICKNESS</b> 3-25mm (0.12-0.98")	<b>MIN CEILING VOID</b> 20mm (0.79") clearance above

## FINISHES

**FINISHES** White RAL9010 | Black RAL9005

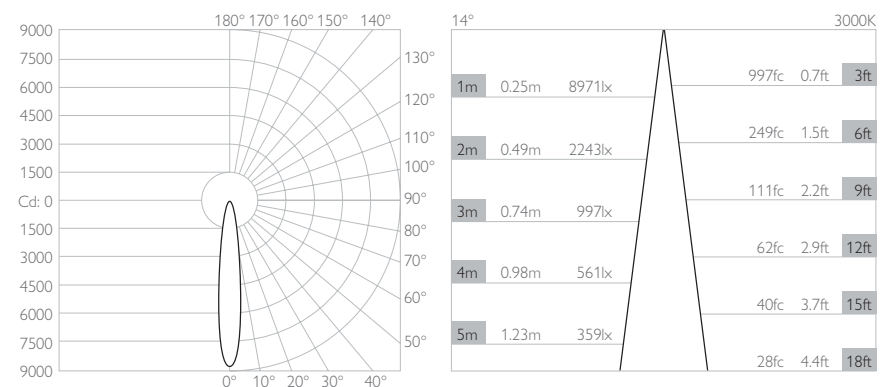
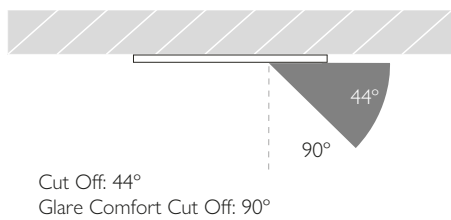
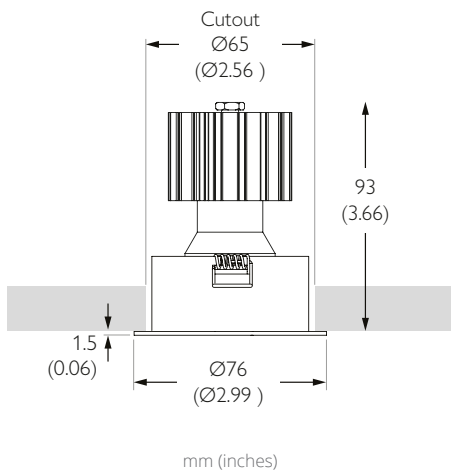
\*Premium & custom finishes are built & finished to order. These are subject to an extended lead time & MOQ.

## OPTICAL & STANDARDS

<b>NOMINAL LUMENS</b> 700lm	<b>BEAM ANGLE</b> 14°
<b>DELIVERED LUMENS</b> 650lm	<b>CRI</b> 92 TYP
<b>COLOUR TEMPERATURE</b> 2700K   3000K	<b>TM-30</b> RF: 90 RG: 99
<b>ACCESSORY HOLDER</b> Integral	<b>WARRANTY</b> 5 Years
<b>ACCESSORIES</b> Louver   Lenses 32mm	<b>STANDARDS</b>



Photometry shown is for 3000K module. Please enquire for other CCT photometry. L90 50,000 hours.



## LUMINAIRE FINISH

White 9010	Black 9005
RCD-634-WH-XX9211	RCD-634-BK-XX9211

\*All premium & custom finishes are built & finished to order. These are subject to an extended lead time & MOQ

For 3000K Substitute XX with 30

For 2700K Substitute XX with 27

# MINIMO 16 FIXED PINHOLE IP54

MEDIUM



## TECHNICAL DESCRIPTION

Minimo 16 Fixed Pinhole IP54 is a Constant Current single source LED downlight that is machined from aerospace grade aluminium 6063-T6 and comes as standard in white and black. It has five site-changeable optics for flexible beam distribution. The medium beam in our 8.40W 700lm module has a peak intensity of 5754cd. The integral accessory holder can accommodate 32mm lenses and louvers.

## MECHANICAL & ELECTRICAL

<b>CATEGORY</b> IP54	<b>WATTAGE</b> 8.40W
<b>MATERIAL</b> Machined AL 6063-T6	<b>FORWARD VOLTAGE</b> 12V
<b>PAN</b> N/A	<b>DRIVE CURRENT</b> 700mA
<b>TILT</b> N/A	<b>SUPPLY TYPE</b> Constant Current
<b>LOCKABLE</b> N/A	<b>DRIVER LOCATION</b> Remote
<b>WEIGHT</b> 264g   0.58lb	<b>DIMMING</b> DALI   0-10V   1-10V

## MOUNTING

<b>MOUNTING</b> Recessed	<b>CUTOUT</b> ø65mm (2.56")
<b>CEILING THICKNESS</b> 3-25mm (0.12-0.98")	<b>MIN CEILING VOID</b> 20mm (0.79") clearance above

## FINISHES

**FINISHES** White RAL9010 | Black RAL9005

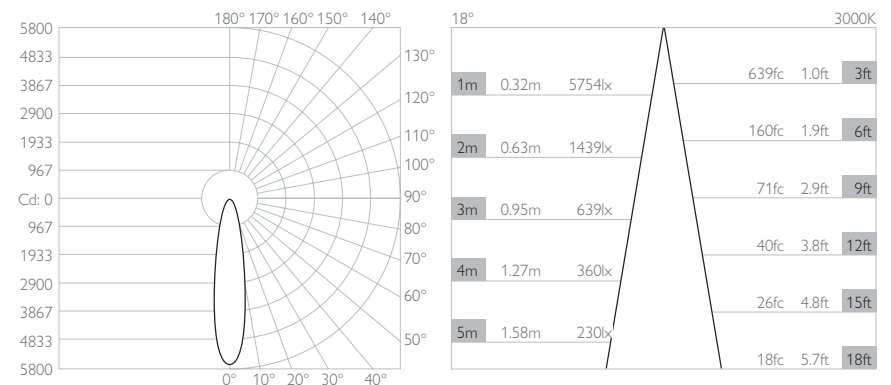
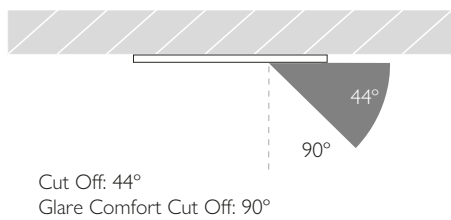
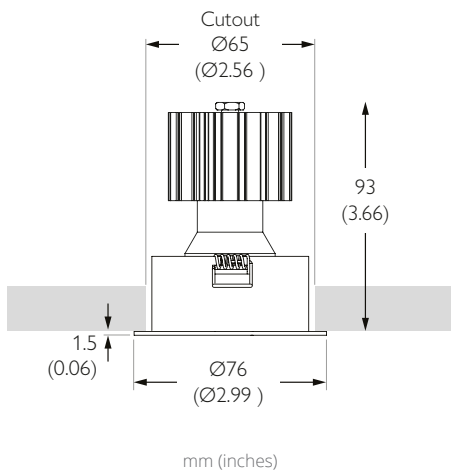
\*Premium & custom finishes are built & finished to order. These are subject to an extended lead time & MOQ.

## OPTICAL & STANDARDS

<b>NOMINAL LUMENS</b> 700lm	<b>BEAM ANGLE</b> 18°
<b>DELIVERED LUMENS</b> 643lm	<b>CRI</b> 92 TYP
<b>COLOUR TEMPERATURE</b> 2700K   3000K	<b>TM-30</b> RF: 90 RG: 99
<b>ACCESSORY HOLDER</b> Integral	<b>WARRANTY</b> 5 Years
<b>ACCESSORIES</b> Louver   Lenses 32mm	<b>STANDARDS</b>



Photometry shown is for 3000K module. Please enquire for other CCT photometry. L90 50,000 hours.



## LUMINAIRE FINISH

White 9010	Black 9005
RCD-634-WH-XX9215	RCD-634-BK-XX9215

\*All premium & custom finishes are built & finished to order. These are subject to an extended lead time & MOQ

For 3000K Substitute XX with 30

For 2700K Substitute XX with 27

## FLOOD



### TECHNICAL DESCRIPTION

Minimo 16 Fixed Pinhole IP54 is a Constant Current single source LED downlight that is machined from aerospace grade aluminium 6063-T6 and comes as standard in white and black. It has five site-changeable optics for flexible beam distribution. The flood beam in our 8.40W 700lm module has a peak intensity of 1813cd. The integral accessory holder can accommodate 32mm lenses and louvers.

### MECHANICAL & ELECTRICAL

<b>CATEGORY</b> IP54	<b>WATTAGE</b> 8.40W
<b>MATERIAL</b> Machined AL 6063-T6	<b>FORWARD VOLTAGE</b> 12V
<b>PAN</b> N/A	<b>DRIVE CURRENT</b> 700mA
<b>TILT</b> N/A	<b>SUPPLY TYPE</b> Constant Current
<b>LOCKABLE</b> N/A	<b>DRIVER LOCATION</b> Remote
<b>WEIGHT</b> 264g   0.58lb	<b>DIMMING</b> DALI   0-10V   1-10V

### MOUNTING

<b>MOUNTING</b> Recessed	<b>CUTOUT</b> ø65mm (2.56")
<b>CEILING THICKNESS</b> 3-25mm (0.12-0.98")	<b>MIN CEILING VOID</b> 20mm (0.79") clearance above

### FINISHES

**FINISHES** White RAL9010 | Black RAL9005

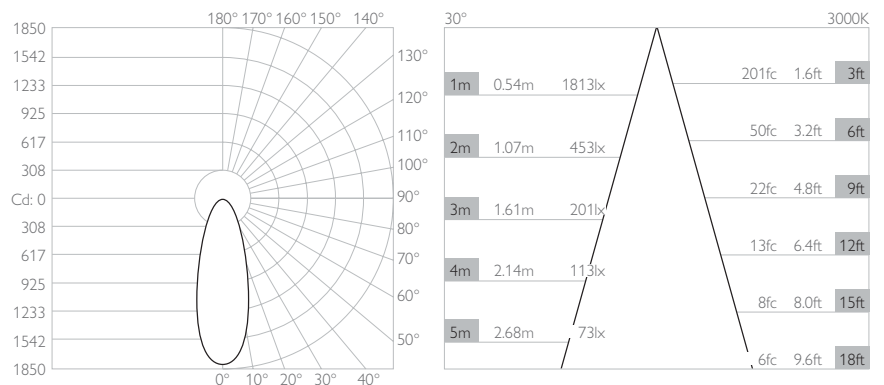
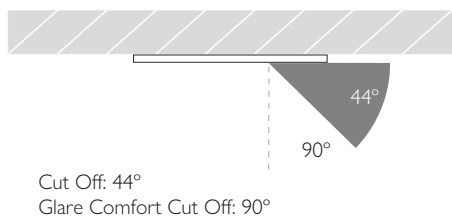
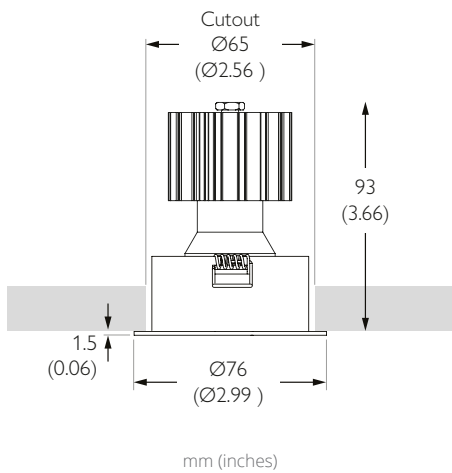
\*Premium & custom finishes are built & finished to order. These are subject to an extended lead time & MOQ.

### OPTICAL & STANDARDS

<b>NOMINAL LUMENS</b> 700lm	<b>BEAM ANGLE</b> 30°
<b>DELIVERED LUMENS</b> 555lm	<b>CRI</b> 92 TYP
<b>COLOUR TEMPERATURE</b> 2700K   3000K	<b>TM-30</b> RF: 90 RG: 99
<b>ACCESSORY HOLDER</b> Integral	<b>WARRANTY</b> 5 Years
<b>ACCESSORIES</b> Louver   Lenses 32mm	<b>STANDARDS</b>



Photometry shown is for 3000K module. Please enquire for other CCT photometry. L90 50,000 hours.



### LUMINAIRE FINISH

White 9010	Black 9005
RCD-634-WH-XX9225	RCD-634-BK-XX9225

\*All premium & custom finishes are built & finished to order. These are subject to an extended lead time & MOQ

# MINIMO 16 FIXED PINHOLE IP54

## WIDE FLOOD



### TECHNICAL DESCRIPTION

Minimo 16 Fixed Pinhole IP54 is a Constant Current single source LED downlight that is machined from aerospace grade aluminium 6063-T6 and comes as standard in white and black. It has five site-changeable optics for flexible beam distribution. The wide flood beam in our 8.40W 700lm module has a peak intensity of 660cd. The integral accessory holder can accommodate 32mm lenses and louvers.

### MECHANICAL & ELECTRICAL

<b>CATEGORY</b> IP54	<b>WATTAGE</b> 8.40W
<b>MATERIAL</b> Machined AL 6063-T6	<b>FORWARD VOLTAGE</b> 12V
<b>PAN</b> N/A	<b>DRIVE CURRENT</b> 700mA
<b>TILT</b> N/A	<b>SUPPLY TYPE</b> Constant Current
<b>LOCKABLE</b> N/A	<b>DRIVER LOCATION</b> Remote
<b>WEIGHT</b> 264g   0.58lb	<b>DIMMING</b> DALI   0-10V   1-10V

### MOUNTING

<b>MOUNTING</b> Recessed	<b>CUTOUT</b> ø65mm (2.56")
<b>CEILING THICKNESS</b> 3-25mm (0.12-0.98")	<b>MIN CEILING VOID</b> 20mm (0.79") clearance above

### FINISHES

**FINISHES** White RAL9010 | Black RAL9005

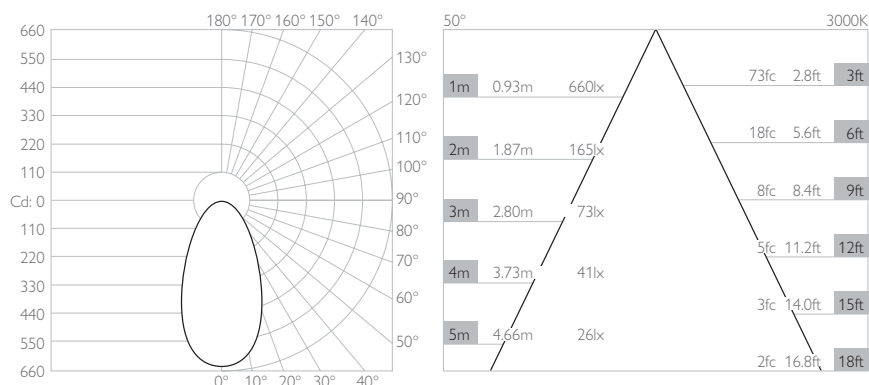
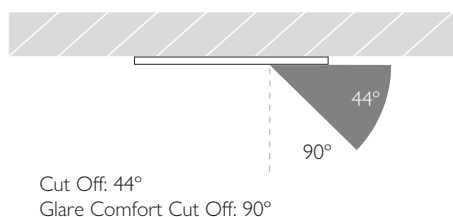
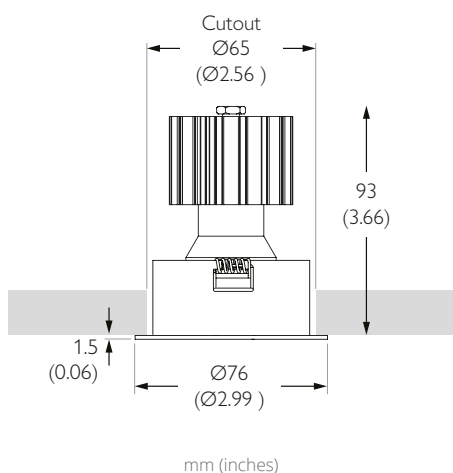
\*Premium & custom finishes are built & finished to order. These are subject to an extended lead time & MOQ.

### OPTICAL & STANDARDS

<b>NOMINAL LUMENS</b> 700lm	<b>BEAM ANGLE</b> 50°
<b>DELIVERED LUMENS</b> 546lm	<b>CRI</b> 92 TYP
<b>COLOUR TEMPERATURE</b> 2700K   3000K	<b>TM-30</b> RF: 90 RG: 99
<b>ACCESSORY HOLDER</b> Integral	<b>WARRANTY</b> 5 Years
<b>ACCESSORIES</b> Louver   Lenses 32mm	<b>STANDARDS</b>



Photometry shown is for 3000K module. Please enquire for other CCT photometry. L90 50,000 hours.



### LUMINAIRE FINISH

White 9010	Black 9005
RCD-634-WH-XX9245	RCD-634-BK-XX9245

\*All premium & custom finishes are built & finished to order. These are subject to an extended lead time & MOQ

For 3000K Substitute XX with 30

For 2700K Substitute XX with 27