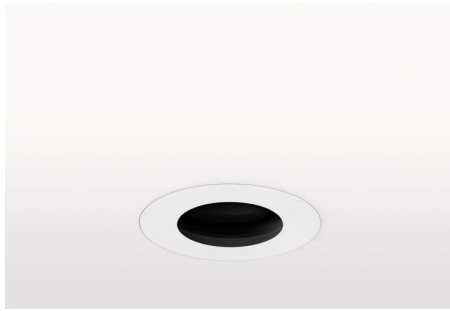


MINIMO DYNAMIC WHITE ADJUSTABLE PINHOLE TRIMLESS

25° MEDIUM BEAM



TECHNICAL DESCRIPTION

Minimo Dynamic White Adjustable Pinhole Trimless is a Constant Current single source pro-series downlight with the option of 2 CCT tuning ranges (1800-3000K / 2700-5000K) and comes as standard in white and black. It has four site-changeable optics for flexible beam distribution and is fully adjustable with 360° pan and 35° tilt without breaking the ceiling line. The medium beam in our 12.60W 1050lm module has a peak intensity of 3600cd. The integral accessory holder can accommodate 32mm lenses and louvers.

MECHANICAL & ELECTRICAL

CATEGORY IP20

MATERIAL Machined AL 6063-T6

PAN 360°

TILT 35°

LOCKABLE N/A

WEIGHT 281g | 0.62lb

WATTAGE 12.60W

FORWARD VOLTAGE 18V

SUPPLY TYPE Constant Current Dual Channel

DRIVER LOCATION Remote

DIMMING DALI | 0-10V

MOUNTING

MOUNTING Recessed

CEILING THICKNESS min 5mm (0.20")

CUTOUT ø76mm (3.00")

MIN CEILING VOID 20mm (0.79") clearance above

FINISHES

FINISHES White RAL9010 | Black RAL9005

*Premium & custom finishes are built & finished to order. These are subject to an extended lead time & MOQ.

OPTICAL & STANDARDS

NOMINAL LUMENS 1050lm

DELIVERED LUMENS 874lm

COLOUR TEMPERATURE 1800-3000K | 2700-5000K

ACCESSORY HOLDER Integral

ACCESSORIES Louver | Lenses 32mm

TM65 14.02kgCO2e

TM66 2.2

BEAM ANGLE 25°

CRI 94 TYP

TM-30 RF: 92 RG: 99

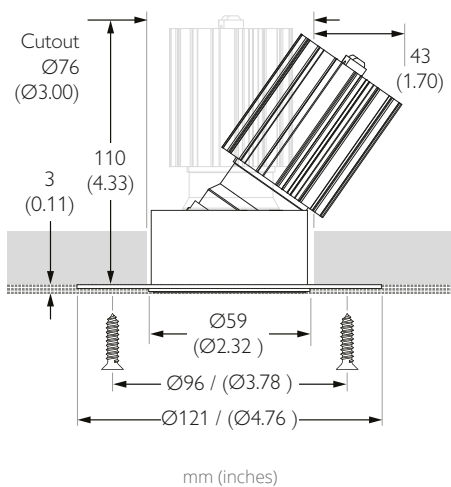
WARRANTY 5 Years

LIFETIME L90B10 50,000hrs

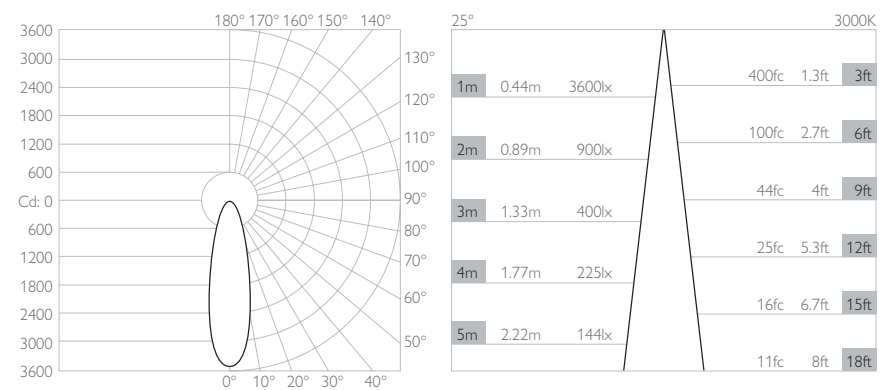
STANDARDS



All data is for 2700-5000K module at 3000K. Scaling table shows output at different CCT settings.



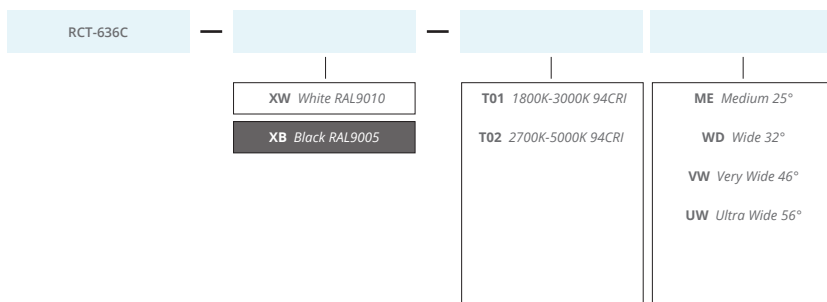
LIGHT ENGINE		OUTPUT SCALING	
1800-3000K	2700-5000K	Scaling Value	Delivered lm
1800K		0.57	498lm
2100K		0.70	612lm
2400K		0.77	673lm
2700K	2700K	0.85	743lm
3000K	3000K	1.00	874lm
	3500K	1.05	918lm
	4000K	1.05	918lm
	4500K	1.05	926lm
	5000K	1.06	926lm



FINISH

LED CCT

BEAM ANGLE

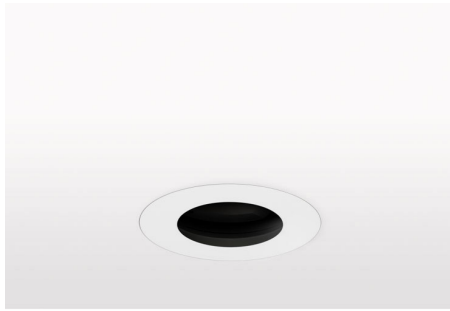


Example Code: RCT-636C-WW-T02WD

*Premium & custom finishes are built to order, subject to an extended lead time & MOQ

MINIMO DYNAMIC WHITE ADJUSTABLE PINHOLE TRIMLESS

46° VERY WIDE BEAM



TECHNICAL DESCRIPTION

Minimo Dynamic White Adjustable Pinhole Trimless is a Constant Current single source pro-series downlight with the option of 2 CCT tuning ranges (1800-3000K / 2700-5000K) and comes as standard in white and black. It has four site-changeable optics for flexible beam distribution and is fully adjustable with 360° pan and 35° tilt without breaking the ceiling line. The very wide beam in our 12.60W 1050lm module has a peak intensity of 1560cd. The integral accessory holder can accommodate 32mm lenses and louvers.

MECHANICAL & ELECTRICAL

CATEGORY IP20

MATERIAL Machined AL 6063-T6

PAN 360°

TILT 35°

LOCKABLE N/A

WEIGHT 281g | 0.62lb

WATTAGE 12.60W

FORWARD VOLTAGE 18V

SUPPLY TYPE Constant Current Dual Channel

DRIVER LOCATION Remote

DIMMING DALI | 0-10V

MOUNTING

MOUNTING Recessed

CEILING THICKNESS min 5mm (0.20")

CUTOUT ø76mm (3.00")

MIN CEILING VOID 20mm (0.79") clearance above

FINISHES

FINISHES White RAL9010 | Black RAL9005

*Premium & custom finishes are built & finished to order. These are subject to an extended lead time & MOQ.

OPTICAL & STANDARDS

NOMINAL LUMENS 1050lm

DELIVERED LUMENS 892lm

COLOUR TEMPERATURE 1800-3000K | 2700-5000K

ACCESSORY HOLDER Integral

ACCESSORIES Louver | Lenses 32mm

TM65 14.02kgCO2e

TM66 2.2

BEAM ANGLE 46°

CRI 94 TYP

TM-30 RF: 92 RG: 99

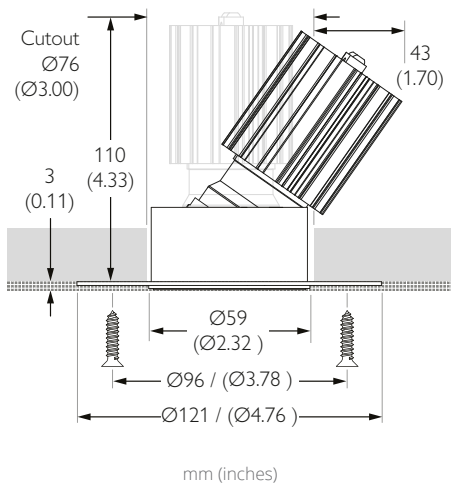
WARRANTY 5 Years

LIFETIME L90B10 50,000hrs

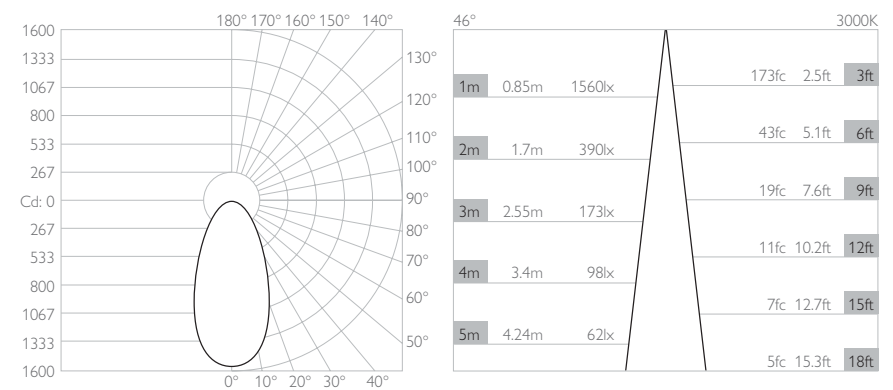
STANDARDS



All data is for 2700-5000K module at 3000K. Scaling table shows output at different CCT settings.



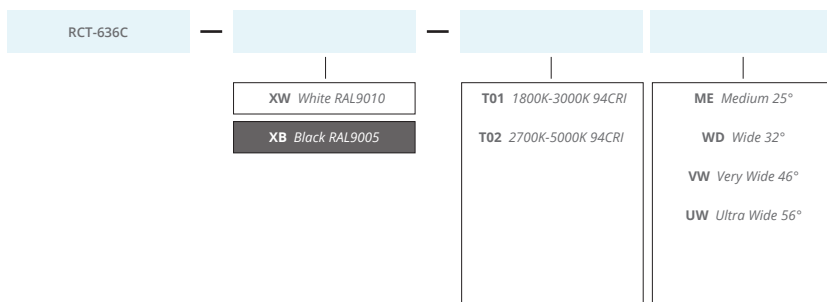
LIGHT ENGINE		OUTPUT SCALING	
1800-3000K	2700-5000K	Scaling Value	Delivered lm
1800K		0.57	508lm
2100K		0.70	624lm
2400K		0.77	687lm
2700K	2700K	0.85	758lm
3000K	3000K	1.00	892lm
	3500K	1.05	937lm
	4000K	1.05	937lm
	4500K	1.05	946lm
	5000K	1.06	946lm



FINISH

LED CCT

BEAM ANGLE

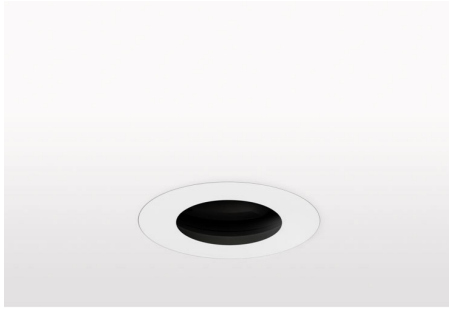


Example Code: RCT-636C-WW-T02WD

*Premium & custom finishes are built to order, subject to an extended lead time & MOQ

MINIMO DYNAMIC WHITE ADJUSTABLE PINHOLE TRIMLESS

56° ULTRA WIDE BEAM



TECHNICAL DESCRIPTION

Minimo Dynamic White Adjustable Pinhole Trimless is a Constant Current single source pro-series downlight with the option of 2 CCT tuning ranges (1800-3000K / 2700-5000K) and comes as standard in white and black. It has four site-changeable optics for flexible beam distribution and is fully adjustable with 360° pan and 35° tilt without breaking the ceiling line. The ultra wide beam in our 12.60W 1050lm module has a peak intensity of 1080cd. The integral accessory holder can accommodate 32mm lenses and louvers.

MECHANICAL & ELECTRICAL

CATEGORY IP20

MATERIAL Machined AL 6063-T6

PAN 360°

TILT 35°

LOCKABLE N/A

WEIGHT 281g | 0.62lb

WATTAGE 12.60W

FORWARD VOLTAGE 18V

SUPPLY TYPE Constant Current Dual Channel

DRIVER LOCATION Remote

DIMMING DALI | 0-10V

MOUNTING

MOUNTING Recessed

CEILING THICKNESS min 5mm (0.20")

CUTOUT ø76mm (3.00")

MIN CEILING VOID 20mm (0.79") clearance above

FINISHES

FINISHES White RAL9010 | Black RAL9005

*Premium & custom finishes are built & finished to order. These are subject to an extended lead time & MOQ.

OPTICAL & STANDARDS

NOMINAL LUMENS 1050lm

DELIVERED LUMENS 877lm

COLOUR TEMPERATURE 1800-3000K | 2700-5000K

ACCESSORY HOLDER Integral

ACCESSORIES Louver | Lenses 32mm

TM65 14.02kgCO2e

TM66 2.2

BEAM ANGLE 56°

CRI 94 TYP

TM-30 RF: 92 RG: 99

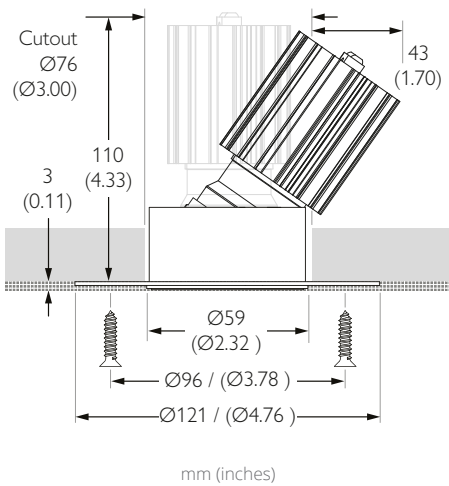
WARRANTY 5 Years

LIFETIME L90B10 50,000hrs

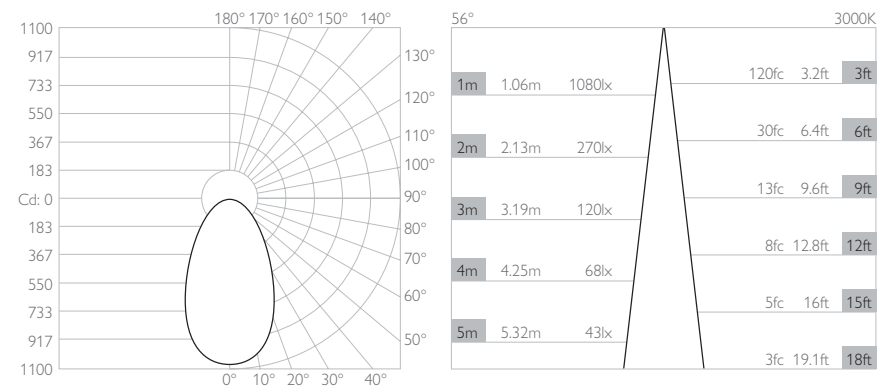
STANDARDS



All data is for 2700-5000K module at 3000K. Scaling table shows output at different CCT settings.



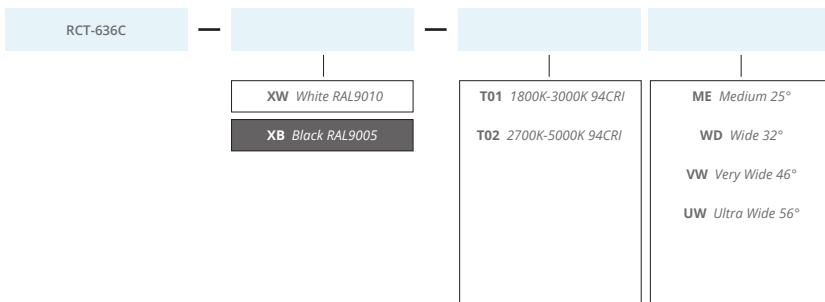
LIGHT ENGINE		OUTPUT SCALING	
1800-3000K	2700-5000K	Scaling Value	Delivered lm
1800K		0.57	500lm
2100K		0.70	614lm
2400K		0.77	675lm
2700K	2700K	0.85	745lm
3000K	3000K	1.00	877lm
	3500K	1.05	921lm
	4000K	1.05	921lm
	4500K	1.05	930lm
	5000K	1.06	930lm



FINISH

LED CCT

BEAM ANGLE



Example Code: RCT-636C-WW-T02WD

*Premium & custom finishes are built to order, subject to an extended lead time & MOQ

MINIMO DYNAMIC WHITE

DRIVER COMPATIBILITY

ELDOLED | 20W | DALI DT6 OR DT8

NO. OF LIGHTS PER DRIVER 1

MIN DIM LEVEL 0.1%

VOLTAGE REGION 230V

FOR NORTH AMERICA No

WATTAGE 20W

SUPPLY TYPE Constant Current

DRIVER LOCATION Remote

MANUFACTURER Eldoled

DT6 CODE 1800-3000K PSCC-63XT01DT6M-E1
CODE 2700-5000K PSCC-63XT02DT6M-E1

DT8 CODE 1800-3000K PSCC-63XT01DT8M-E1
CODE 2700-5000K PSCC-63XT02DT8M-E1



LENGTH 184mm (7.22") WIDTH 41mm (1.63") HEIGHT 30mm (1.18")



ELDOLED | 30W | DALI DT6 OR DT8

NO. OF LIGHTS PER DRIVER 1

MIN DIM LEVEL 0.1%

VOLTAGE REGION 120V

FOR NORTH AMERICA Yes

WATTAGE 30W

SUPPLY TYPE Constant Current

DRIVER LOCATION Remote

MANUFACTURER Eldoled

DT6 CODE 1800-3000K USCC-63XT01DT6M-E1
CODE 2700-5000K USCC-63XT02DT6M-E1

DT8 CODE 1800-3000K USCC-63XT01DT8M-E1
CODE 2700-5000K USCC-63XT02DT8M-E1



LENGTH 348mm (13.7") WIDTH 107mm (4.2") HEIGHT 51mm (2.0")



ELDOLED | 50W | 0-10V DIM 0-10V CCT

NO. OF LIGHTS PER DRIVER 1

MIN DIM LEVEL 0.1%

VOLTAGE REGION 120V

FOR NORTH AMERICA Yes

WATTAGE 50W

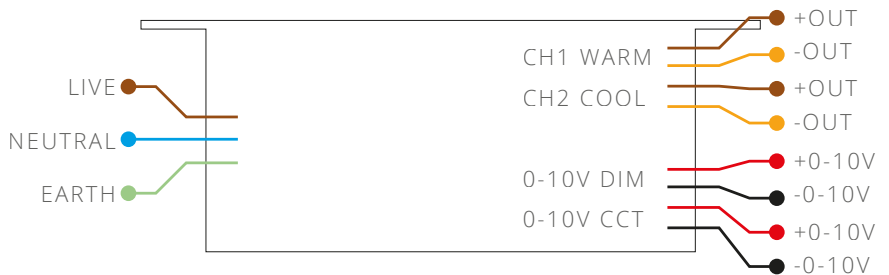
SUPPLY TYPE Constant Current

DRIVER LOCATION Remote

MANUFACTURER Eldoled

ORDER CODE 1800-3000K USCC-63XT01010M-E1

ORDER CODE 2700-5000K USCC-63XT02010M-E1



LENGTH 348mm (13.7") WIDTH 107mm (4.2") HEIGHT 51mm (2.0")

