

Installation Instructions - Kurba Large 3D Bending

Models KBL-W-3D

Please read all instructions prior to installation and keep for future reference!

1. PRODUCT TO BE INSTALLED BY A QUALIFIED ELECTRICIAN.
2. USE ONLY WITH CLASS 2 POWER UNIT
3. 24 VOLTS DC
4. SUITABLE FOR WET LOCATIONS
5. NO ADHESIVE ALLOWED TO AFFIX THE PRODUCT



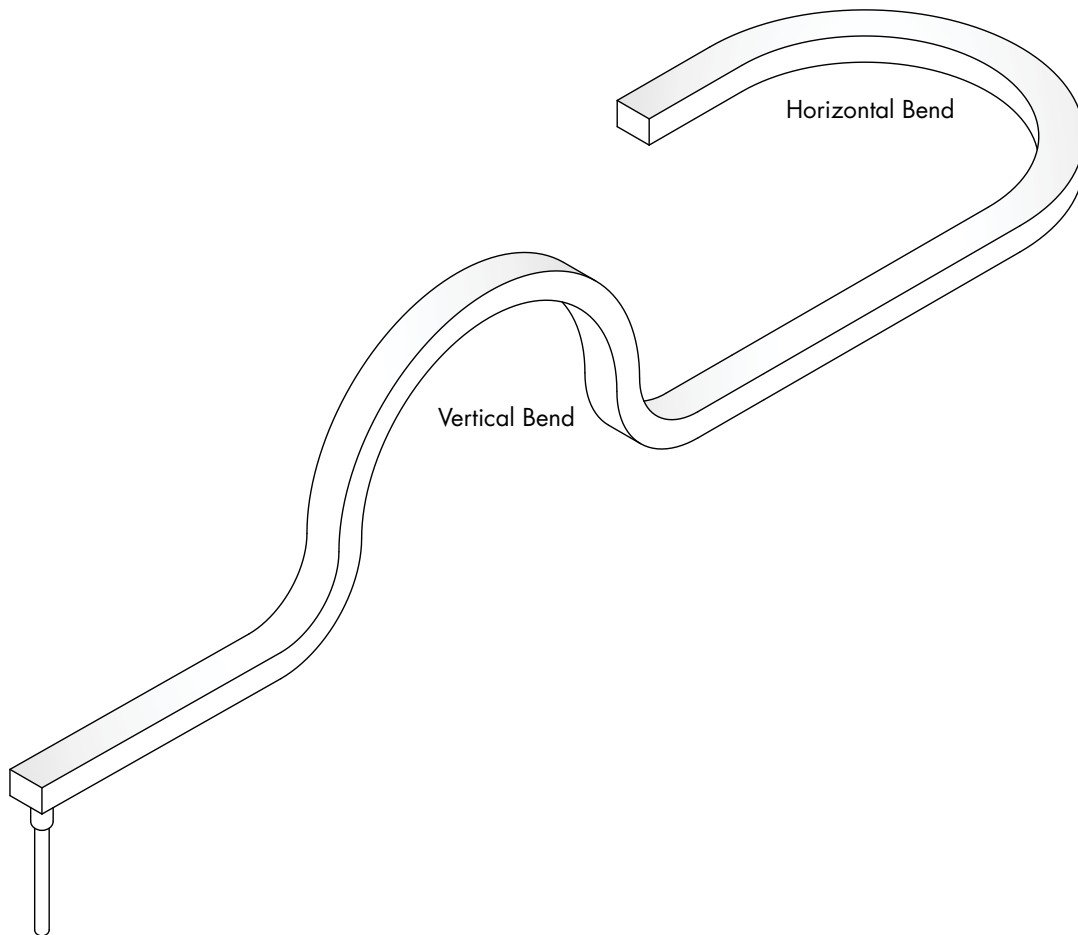
REVO.5
07252024

1 / 5



7777 Merrimac Ave
Niles, IL 60714
T 224.333.6033
F 224.757.7557
info@luminii.com
www.luminii.com

Please read all instructions prior to installation and keep for future reference!



Installation Instructions - Kurba Large 3D Bending

Models KBL-W-3D



7777 Merrimac Ave
Niles, IL 60714
T 224.333.6033
F 224.757.7557
info@luminii.com
www.luminii.com

Please read all instructions prior to installation and keep for future reference!

1. PRODUCT TO BE INSTALLED BY A QUALIFIED ELECTRICIAN.
2. USE ONLY WITH CLASS 2 POWER UNIT
3. 24 VOLTS DC
4. SUITABLE FOR WET LOCATIONS
5. NO ADHESIVE ALLOWED TO AFFIX THE PRODUCT

REV.0.5
07252024

2 / 5

CAUTION: Reference to below before installing Kurba

When unpacking Kurba, carefully pull it out of the packaging box.
Note: Incorrect unpacking may cause PCB fracture or damage on electronic components, and lead to the failure of light. Gloves are recommended in third step.

Do not pull the cable, otherwise it may disable the function of the connector and lead to water ingress. It's recommended to keep the first 2.5 inches of the cable straight and without tension.

Horizontal Bend

CAN Bend LED in these positions to avoid damage

LED surface (gray color) → minimum diameter

Product Name	Minimum Diameter
	Horizontal Vertical
Kurba 3D	12in 12in

CANNOT Twisting or bending LED in these positions will cause damage to the LED

Twisting Kurba will cause damage to the LED

Bending in the same direction as the LED will cause damage to the LED

Do not make sharp bends near the endcap

Vertical Bend

CAN Bend LED in these positions to avoid damage

LED surface (gray color) → minimum diameter

CANNOT Twisting or bending LED in these positions will cause damage to the LED

Twisting Kurba will cause damage to the LED

Bending in the same direction as the LED will cause damage to the LED

Do not make sharp bends near the endcap

Installation Instructions - Kurba Large 3D Bending

Models KBL-W-3D



7777 Merrimac Ave
Niles, IL 60714
T 224.333.6033
F 224.757.7557
info@luminii.com
www.luminii.com

Please read all instructions prior to installation and keep for future reference!

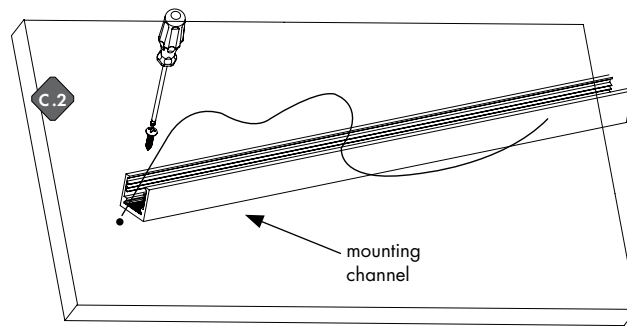
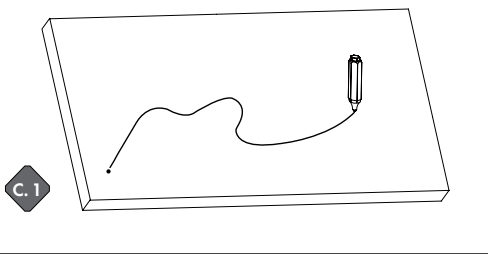
1. PRODUCT TO BE INSTALLED BY A QUALIFIED ELECTRICIAN.
2. USE ONLY WITH CLASS 2 POWER UNIT
3. 24 VOLTS DC
4. SUITABLE FOR WET LOCATIONS
5. NO ADHESIVE ALLOWED TO AFFIX THE PRODUCT

REV0.5
07252024

3 / 5

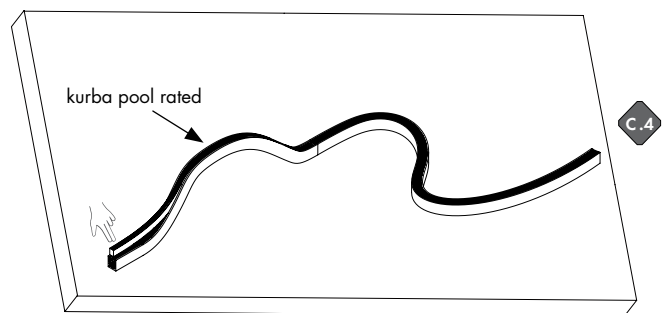
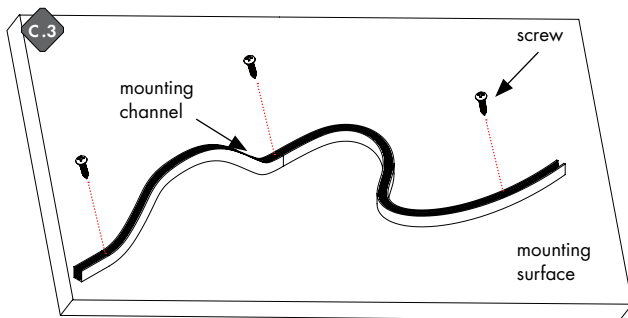
NOTE: All straight mounting channels listed below should refer to this step during the installation.

Mounting Channel, Bendable Anole Profile



C.1 Mark the required shape on the mounting surface.

C.2 Fix the screw starting from the power input end. Keep some distance between the channel and power input.



C.3 Secure the channel with screws

C.4 Insert kurba to mounting channel.

Installation Instructions - Kurba Large 3D Bending

Models KBL-W-3D

Please read all instructions prior to installation and keep for future reference!

1. PRODUCT TO BE INSTALLED BY A QUALIFIED ELECTRICIAN.
2. USE ONLY WITH CLASS 2 POWER UNIT
3. 24 VOLTS DC
4. SUITABLE FOR WET LOCATIONS
5. NO ADHESIVE ALLOWED TO AFFIX THE PRODUCT



REV.0.5
07252024

4 / 5



7777 Merrimac Ave
Niles, IL 60714
T 224.333.6033
F 224.757.7557
info@luminii.com
www.luminii.com

2

Make sure the angle between the light and profile is not bigger than 15° , otherwise Kurba might be damaged.

When light length longer than 6ft, make sure somebody helps to lift the light, in case the heavy weight of light itself generates too small bending angle or twisting, which may damage Kurba.

The removal of anti-wicking ferrule will increase the risk of water ingress and void the warranty out of it. For underwater application, do not immerse antiwicking ferrule in the water.

3

3.1 Connect +24 VDC red wire from the Kurba to the power supply +24 VDC red wire. Connect -24 VDC black wire from the Kurba to power supply -24 VDC black wire.

Installation Instructions - Kurba Large 3D Bending

Models KBL-W-3D

Please read all instructions prior to installation and keep for future reference!

1. PRODUCT TO BE INSTALLED BY A QUALIFIED ELECTRICIAN.
2. USE ONLY WITH CLASS 2 POWER UNIT
3. 24 VOLTS DC
4. SUITABLE FOR WET LOCATIONS
5. NO ADHESIVE ALLOWED TO AFFIX THE PRODUCT



REVO.5
07252024

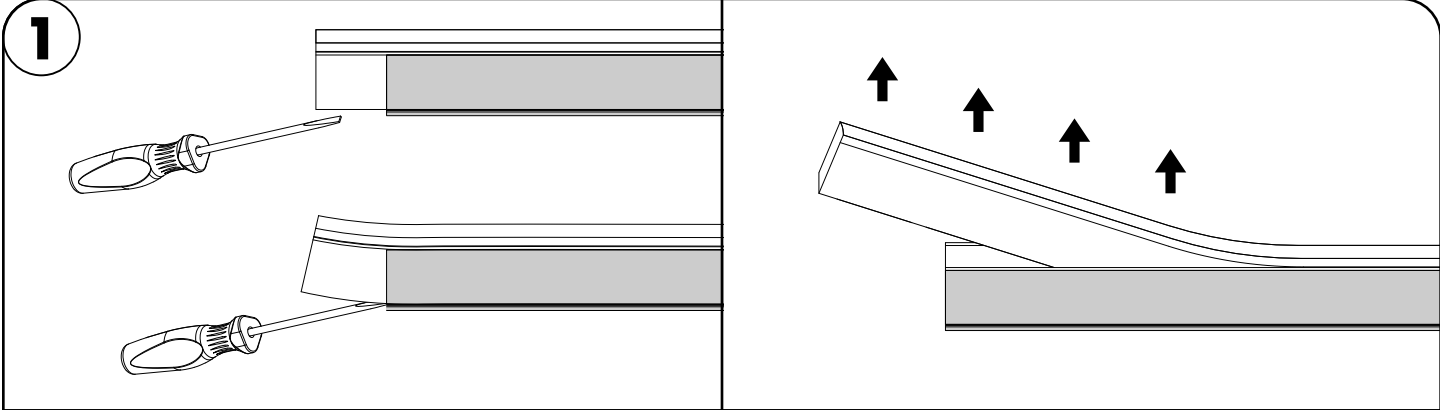
5 / 5



7777 Merrimac Ave
Niles, IL 60714
T 224.333.6033
F 224.757.7557
info@luminii.com
www.luminii.com

Removing Kurba from Mounting Brackets

1



1.1 To remove Kurba fixture from mounting bracket, gently push a **FLAT** head screw driver between the **BOTTOM** of the fixture and the mounting bracket, carefully pry up the Kurba Fixtrure. Once Kurba fixture has started coming out of the bracket, stop using the screw driver and instead use your hands and fingers to pull the fixture out of the bracket making sure to keep it at a 15° angle.