

NARROW



TECHNICAL DESCRIPTION

Domino 2 Recessed is a Constant Current multi source LED spotlight that is machined from aerospace grade aluminium 6063-T6 and comes as standard in white, black and brushed aluminium. It has five site-changeable beam distributions including elliptical beams. The narrow beam in our 4.48W 360lm module has a peak intensity of 3132cd.

MECHANICAL & ELECTRICAL

CATEGORY IP20	WATTAGE 4.48W
MATERIAL Machined AL 6063-T6	FORWARD VOLTAGE 6.4V
PAN N/A	DRIVE CURRENT 700mA
TILT N/A	SUPPLY TYPE Constant Current
LOCKABLE N/A	DRIVER LOCATION Remote
WEIGHT 104g 0.23lb	DIMMING DALI 0-10V 1-10V

MOUNTING

MOUNTING Recessed	CUTOUT ø44mm x 22mm (1.73" x 0.86")
CEILING THICKNESS 5-25mm (0.20-0.98")	MIN CEILING VOID 20mm (0.79") clearance above

FINISHES

FINISHES Brushed Aluminium | Black RAL9005 | White RAL9010

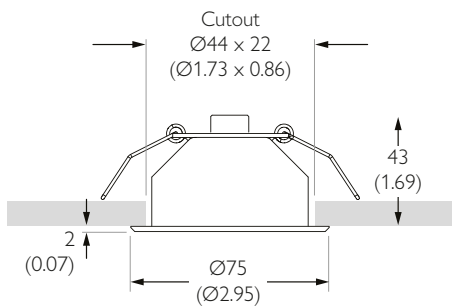
*Premium & custom finishes are built & finished to order. These are subject to an extended lead time & MOQ.

OPTICAL & STANDARDS

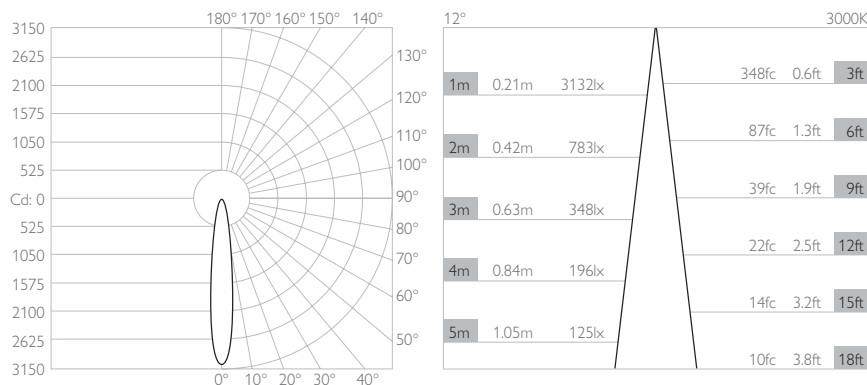
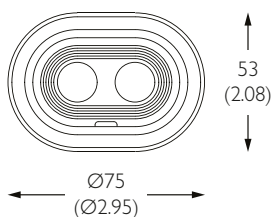
NOMINAL LUMENS 360lm	BEAM ANGLE 12°
DELIVERED LUMENS 328lm	CRI 95 TYP
COLOUR TEMPERATURE 2700K 3000K	TM-30 RF: 93 RG: 99
ACCESSORY HOLDER N/A	WARRANTY 5 Years
ACCESSORIES N/A	STANDARDS



Photometry shown is for 3000K module. Please enquire for other CCT photometry. L90 50,000 hours.



mm (inches)



LUMINAIRE FINISH

White 9010	Black 9005	Brushed Aluminium	Rubbed Bronze*	Polished Brass*	Brushed Brass*
TX-652-WH-XX9512	TX-652-BK-XX9512	TX-652-AL-XX9512			

*All premium & custom finishes are built & finished to order. These are subject to an extended lead time & MOQ

For 3000K Substitute XX with 30

For 2700K Substitute XX with 27

FLOOD



TECHNICAL DESCRIPTION

Domino 2 Recessed is a Constant Current multi source LED spotlight that is machined from aerospace grade aluminium 6063-T6 and comes as standard in white, black and brushed aluminium. It has five site-changeable beam distributions including elliptical beams. The flood beam in our 4.48W 360lm module has a peak intensity of 940cd.

MECHANICAL & ELECTRICAL

CATEGORY IP20	WATTAGE 4.48W
MATERIAL Machined AL 6063-T6	FORWARD VOLTAGE 6.4V
PAN N/A	DRIVE CURRENT 700mA
TILT N/A	SUPPLY TYPE Constant Current
LOCKABLE N/A	DRIVER LOCATION Remote
WEIGHT 104g 0.23lb	DIMMING DALI 0-10V 1-10V

MOUNTING

MOUNTING Recessed	CUTOUT ø44mm x 22mm (1.73" x 0.86")
CEILING THICKNESS 5-25mm (0.20-0.98")	MIN CEILING VOID 20mm (0.79") clearance above

FINISHES

FINISHES Brushed Aluminium | Black RAL9005 | White RAL9010

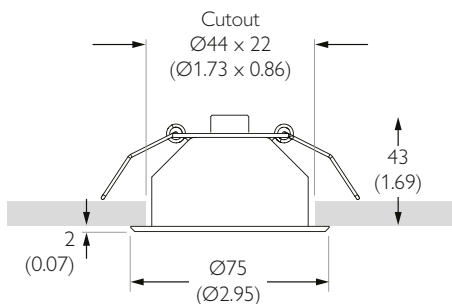
*Premium & custom finishes are built & finished to order. These are subject to an extended lead time & MOQ.

OPTICAL & STANDARDS

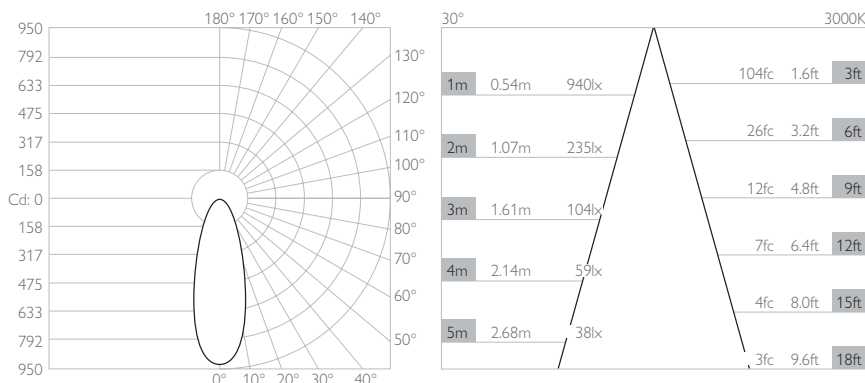
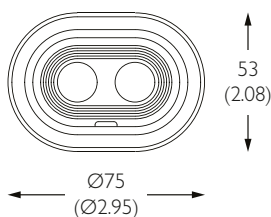
NOMINAL LUMENS 360lm	BEAM ANGLE 30°
DELIVERED LUMENS 300lm	CRI 95 TYP
COLOUR TEMPERATURE 2700K 3000K	TM-30 RF: 93 RG: 99
ACCESSORY HOLDER N/A	WARRANTY 5 Years
ACCESSORIES N/A	STANDARDS



Photometry shown is for 3000K module. Please enquire for other CCT photometry. L90 50,000 hours.



mm (inches)



LUMINAIRE FINISH

White 9010	Black 9005	Brushed Aluminium	Rubbed Bronze*	Polished Brass*	Brushed Brass*
TX-652-WH-XX9530	TX-652-BK-XX9530	TX-652-AL-XX9530			

*All premium & custom finishes are built & finished to order. These are subject to an extended lead time & MOQ

For 3000K Substitute XX with 30

For 2700K Substitute XX with 27

WIDE FLOOD



TECHNICAL DESCRIPTION

Domino 2 Recessed is a Constant Current multi source LED spotlight that is machined from aerospace grade aluminium 6063-T6 and comes as standard in white, black and brushed aluminium. It has five site-changeable beam distributions including elliptical beams. The wide flood beam in our 4.48W 360lm module has a peak intensity of 326cd.

MECHANICAL & ELECTRICAL

CATEGORY IP20	WATTAGE 4.48W
MATERIAL Machined AL 6063-T6	FORWARD VOLTAGE 6.4V
PAN N/A	DRIVE CURRENT 700mA
TILT N/A	SUPPLY TYPE Constant Current
LOCKABLE N/A	DRIVER LOCATION Remote
WEIGHT 104g 0.23lb	DIMMING DALI 0-10V 1-10V

MOUNTING

MOUNTING Recessed	CUTOUT ø44mm x 22mm (1.73" x 0.86")
CEILING THICKNESS 5-25mm (0.20-0.98")	MIN CEILING VOID 20mm (0.79") clearance above

FINISHES

FINISHES Brushed Aluminium | Black RAL9005 | White RAL9010

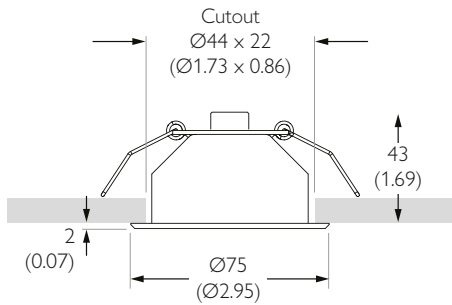
*Premium & custom finishes are built & finished to order. These are subject to an extended lead time & MOQ.

OPTICAL & STANDARDS

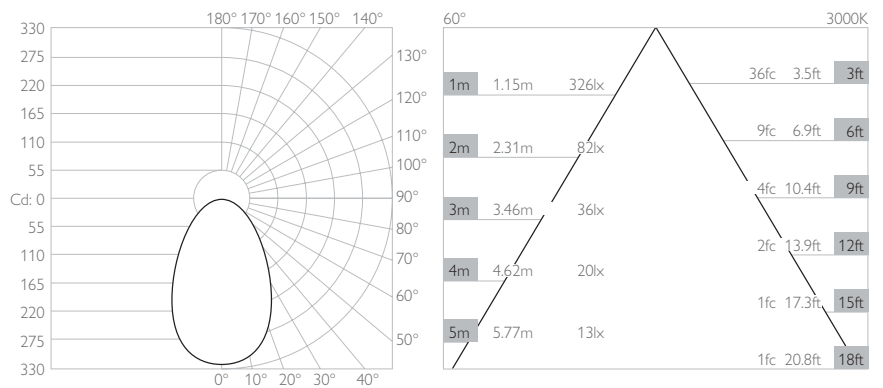
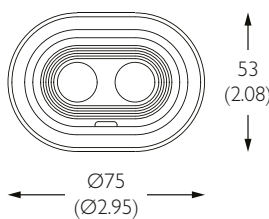
NOMINAL LUMENS 360lm	BEAM ANGLE 60°
DELIVERED LUMENS 326lm	CRI 95 TYP
COLOUR TEMPERATURE 2700K 3000K	TM-30 RF: 93 RG: 99
ACCESSORY HOLDER N/A	WARRANTY 5 Years
ACCESSORIES N/A	STANDARDS



Photometry shown is for 3000K module. Please enquire for other CCT photometry. L90 50,000 hours.



mm (inches)



LUMINAIRE FINISH

White 9010	Black 9005	Brushed Aluminium	Rubbed Bronze*	Polished Brass*	Brushed Brass*
TX-652-WH-XX9560	TX-652-BK-XX9560	TX-652-AL-XX9560			

*All premium & custom finishes are built & finished to order. These are subject to an extended lead time & MOQ

For 3000K Substitute XX with 30

For 2700K Substitute XX with 27

ELLIPSE



TECHNICAL DESCRIPTION

Domino 2 Recessed is a Constant Current multi source LED spotlight that is machined from aerospace grade aluminium 6063-T6 and comes as standard in white, black and brushed aluminium. It has five site-changeable beam distributions including elliptical beams. The ellipse beam in our 4.48W 360lm module has a peak intensity of 1944cd.

MECHANICAL & ELECTRICAL

CATEGORY IP20	WATTAGE 4.48W
MATERIAL Machined AL 6063-T6	FORWARD VOLTAGE 6.4V
PAN N/A	DRIVE CURRENT 700mA
TILT N/A	SUPPLY TYPE Constant Current
LOCKABLE N/A	DRIVER LOCATION Remote
WEIGHT 104g 0.23lb	DIMMING DALI 0-10V 1-10V

MOUNTING

MOUNTING Recessed	CUTOUT ø44mm x 22mm (1.73" x 0.86")
CEILING THICKNESS 5-25mm (0.20-0.98")	MIN CEILING VOID 20mm (0.79") clearance above

FINISHES

FINISHES Brushed Aluminium | Black RAL9005 | White RAL9010

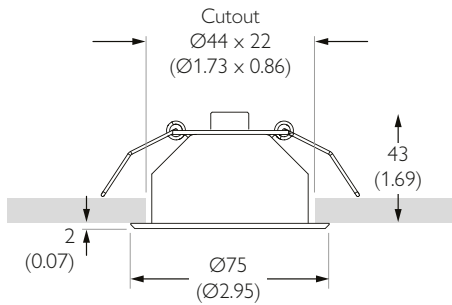
*Premium & custom finishes are built & finished to order. These are subject to an extended lead time & MOQ.

OPTICAL & STANDARDS

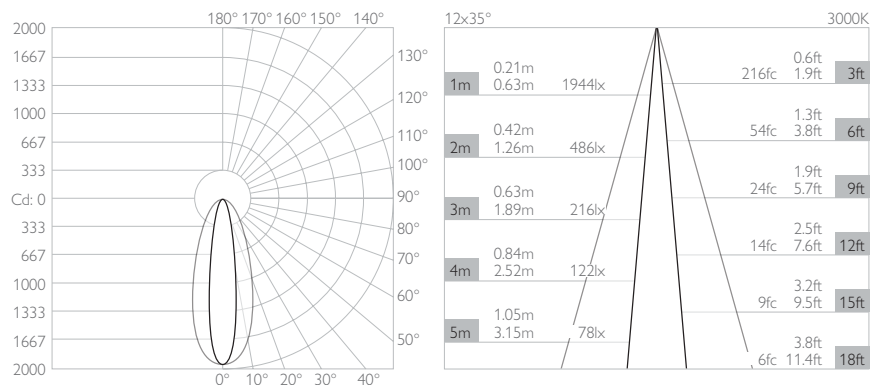
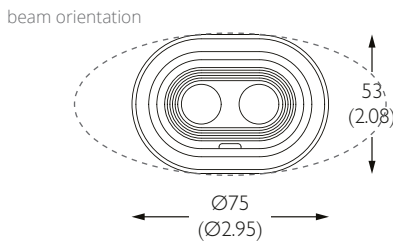
NOMINAL LUMENS 360lm	BEAM ANGLE 12x35°
DELIVERED LUMENS 328lm	CRI 95 TYP
COLOUR TEMPERATURE 2700K 3000K	TM-30 RF: 93 RG: 99
ACCESSORY HOLDER N/A	WARRANTY 5 Years
ACCESSORIES N/A	STANDARDS



Photometry shown is for 3000K module. Please enquire for other CCT photometry. L90 50,000 hours.



mm (inches)



LUMINAIRE FINISH

White 9010	Black 9005	Brushed Aluminium	Rubbed Bronze*	Polished Brass*	Brushed Brass*
TX-652-WH-XX95E1	TX-652-BK-XX95E1	TX-652-AL-XX95E1			

*All premium & custom finishes are built & finished to order. These are subject to an extended lead time & MOQ

For 3000K Substitute XX with 30

For 2700K Substitute XX with 27

VERTICAL ELLIPSE



TECHNICAL DESCRIPTION

Domino 2 Recessed is a Constant Current multi source LED spotlight that is machined from aerospace grade aluminium 6063-T6 and comes as standard in white, black and brushed aluminium. It has five site-changeable beam distributions including elliptical beams. The vertical ellipse beam in our 4.48W 360lm module has a peak intensity of 1944cd.

MECHANICAL & ELECTRICAL

CATEGORY IP20	WATTAGE 4.48W
MATERIAL Machined AL 6063-T6	FORWARD VOLTAGE 6.4V
PAN N/A	DRIVE CURRENT 700mA
TILT N/A	SUPPLY TYPE Constant Current
LOCKABLE N/A	DRIVER LOCATION Remote
WEIGHT 104g 0.23lb	DIMMING DALI 0-10V 1-10V

MOUNTING

MOUNTING Recessed	CUTOUT ø44mm x 22mm (1.73" x 0.86")
CEILING THICKNESS 5-25mm (0.20-0.98")	MIN CEILING VOID 20mm (0.79") clearance above

FINISHES

FINISHES Brushed Aluminium | Black RAL9005 | White RAL9010

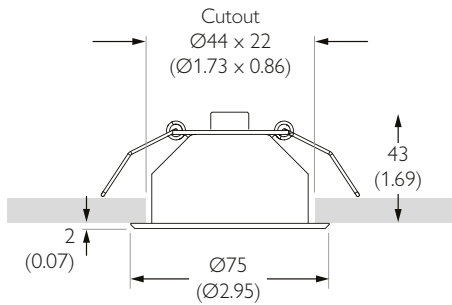
*Premium & custom finishes are built & finished to order. These are subject to an extended lead time & MOQ.

OPTICAL & STANDARDS

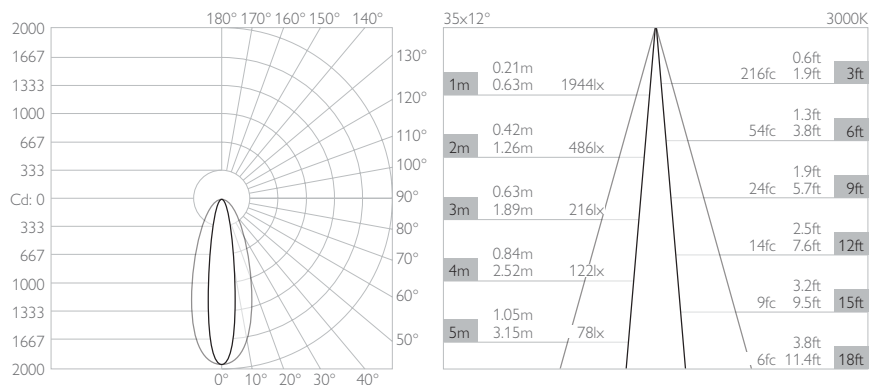
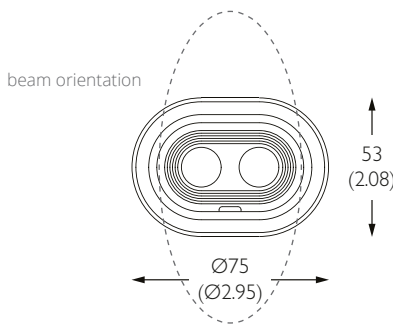
NOMINAL LUMENS 360lm	BEAM ANGLE 35x12°
DELIVERED LUMENS 328lm	CRI 95 TYP
COLOUR TEMPERATURE 2700K 3000K	TM-30 RF: 93 RG: 99
ACCESSORY HOLDER N/A	WARRANTY 5 Years
ACCESSORIES N/A	STANDARDS



Photometry shown is for 3000K module. Please enquire for other CCT photometry. L90 50,000 hours.



mm (inches)



LUMINAIRE FINISH

White 9010	Black 9005	Brushed Aluminium	Rubbed Bronze*	Polished Brass*	Brushed Brass*
TX-652-WH-XX95E2	TX-652-BK-XX95E2	TX-652-AL-XX95E2			

*All premium & custom finishes are built & finished to order. These are subject to an extended lead time & MOQ

For 3000K Substitute XX with 30

For 2700K Substitute XX with 27