

# Bara - Installation Instructions

Models BAR-XX

**Please read all instructions prior to installation and keep for future reference!**

1. PRODUCT TO BE INSTALLED BY A QUALIFIED ELECTRICIAN.
2. USE ONLY WITH CLASS 2 POWER UNIT.
3. 24 VOLTS DC.
4. SUITABLE FOR DAMP LOCATIONS.
5. SURFACE MOUNT ONLY.
6. SUITABLE FOR INSTALLATION WITHIN THE CLOSET STORAGE SPACE.
7. INHERENTLY PROTECTED.

PLENUM FOR  
SUCH USE IN  
ACCORDANCE  
WITH UL2043



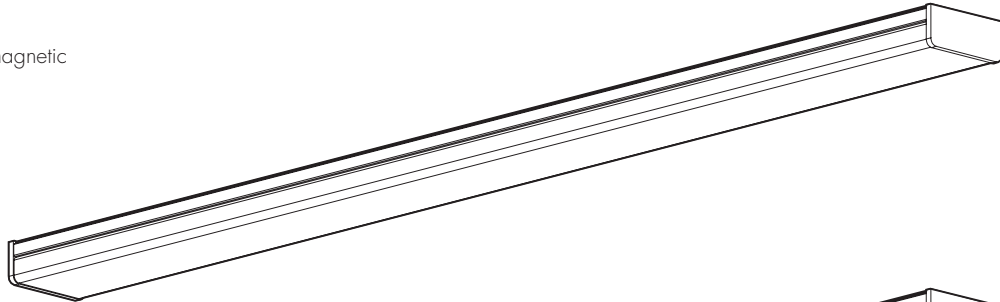
REVO.3  
08102022

1 / 6

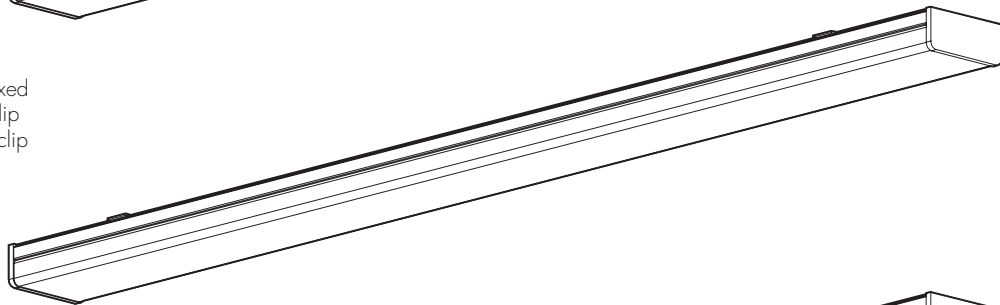


7777 Merrimac Ave  
Niles, IL 60714  
T 224.333.6033  
F 224.757.7557  
info@luminii.com  
www.luminii.com

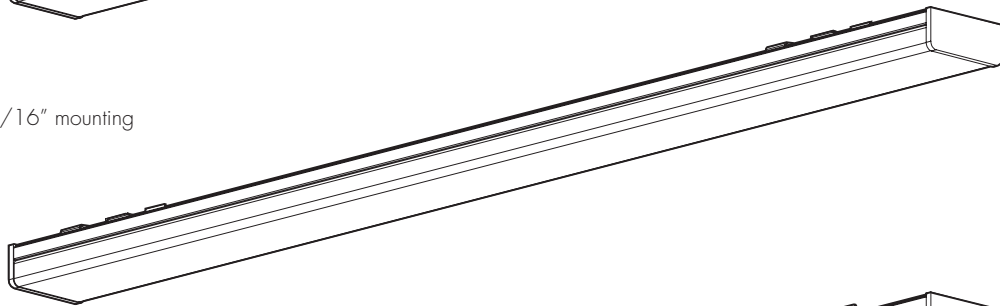
Bara w/ magnetic  
mounting



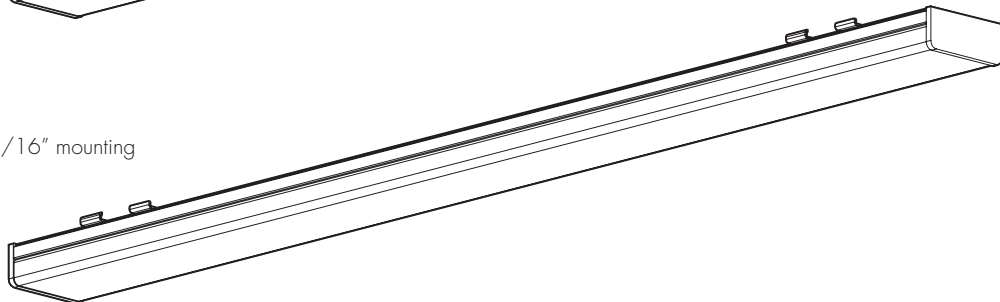
Bara w/ fixed  
mounting clip  
or drywall clip



Bara w/ 9/16" mounting  
T-bar clip



Bara w/ 15/16" mounting  
T-bar clip



# Bara - Installation Instructions

Models BAR-XX

Please read all instructions prior to installation and keep for future reference!

1. PRODUCT TO BE INSTALLED BY A QUALIFIED ELECTRICIAN.
2. USE ONLY WITH CLASS 2 POWER UNIT.
3. 24 VOLTS DC.
4. SUITABLE FOR DAMP LOCATIONS.
5. SURFACE MOUNT ONLY
6. SUITABLE FOR INSTALLATION WITHIN THE CLOSET STORAGE SPACE.
7. INHERENTLY PROTECTED

PLENUM FOR SUCH USE IN ACCORDANCE WITH UL2043



REV0.3  
08102022

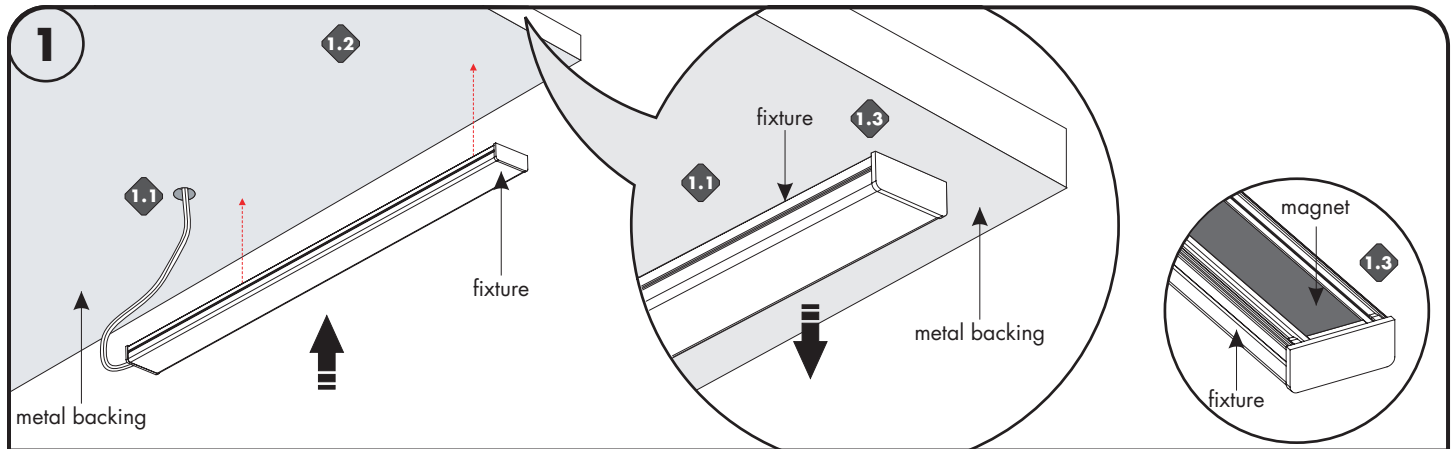


7777 Merrimac Ave  
Niles, IL 60714  
T 224.333.6033  
F 224.757.7557  
info@luminii.com  
www.luminii.com

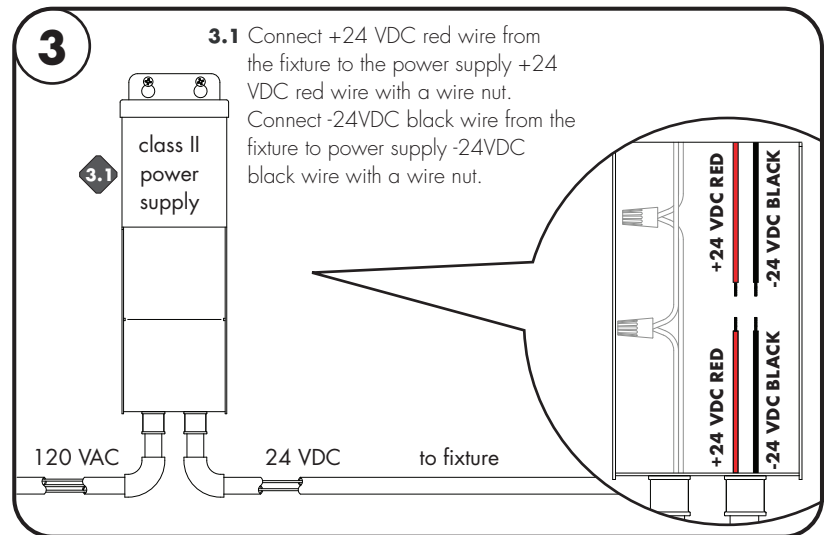
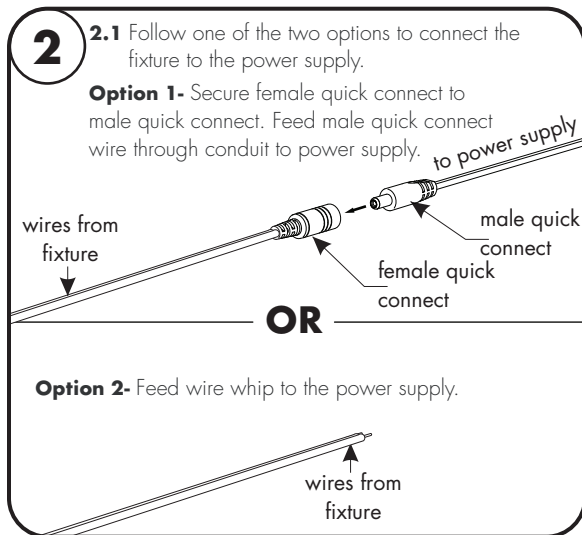
2 / 6

## Magnetic Installation

**Note:** Prior to installation all 24VDC wires must be present near fixture. Refer to the power supply installation instructions for additional information.  
**Note:** More than one person is recommended for this installation.



- 1.1** If necessary make any pass through holes for wire lead/connector to the surface, depending on the power feed option.
- 1.2** Clean the surface area thoroughly from any debris. Must be made of steel or a ferrous metal
- 1.3** Snap the fixture onto the metal surface. If necessary fixture can easily be removed by pulling off the surface and repositioning correctly.



# Bara - Installation Instructions

Models BAR-XX

Please read all instructions prior to installation and keep for future reference!

1. PRODUCT TO BE INSTALLED BY A QUALIFIED ELECTRICIAN.
2. USE ONLY WITH CLASS 2 POWER UNIT.
3. 24 VOLTS DC.
4. SUITABLE FOR DAMP LOCATIONS.
5. SURFACE MOUNT ONLY
6. SUITABLE FOR INSTALLATION WITHIN THE CLOSET STORAGE SPACE.
7. INHERENTLY PROTECTED

PLENUM FOR SUCH USE IN ACCORDANCE WITH UL2043



REVO.3  
08102022

3 / 6



7777 Merrimac Ave  
Niles, IL 60714  
T 224.333.6033  
F 224.757.7557  
info@luminii.com  
www.luminii.com

## Fixed Mounting Clip Installation

**Note:** Prior to installation all 24VDC wires must be present near fixture. Refer to the power supply installation instructions for additional information.  
**Note:** More than one person is recommended for this installation.

<p><b>1</b></p> <p>back of fixture</p> <p>4" every 30" 4"</p>	<p><b>1.2</b></p>	
<p><b>1.1</b> Determine the location of where the fixture(s) will be installed. Lay the fixture(s) on the surface, and make any necessary reference marks for the fixed mounting clips. Make marks 4" from each end of the fixture(s) and also every 30" in between.</p>	<p><b>1.2</b> Drill holes using a 0.180" Ø drill bit.</p>	
<p><b>1.3</b></p>	<p><b>1.4</b></p> <p>fixed clip</p> <p>screw</p>	<p><b>1.5</b></p> <p>fixed clip</p> <p>fixture</p> <p>Snap</p> <p><b>Note:</b> DO NOT snap two sides at the same time</p>
<p><b>1.3</b> Insert plastic drywall anchors, hammering flush to drywall surface.</p>	<p><b>1.4</b> Place bracket over drywall anchor and fasten to drywall using a #4 SS screw, .075" long.</p>	<p><b>1.5</b> Clip on the light fixtures</p> <ul style="list-style-type: none"> <li>.1 Align light fixture to one side of the clips, make sure the fixture is held.</li> <li>.2 Snap on the other side.</li> </ul>

**2**

**2.1** Follow one of the two options to connect the fixture to the power supply.

**Option 1-** Secure female quick connect to male quick connect. Feed male quick connect wire through conduit to power supply.

wires from fixture

to power supply

male quick connect

female quick connect

**OR**

**Option 2-** Feed wire whip to the power supply.

wires from fixture

**3**

**3.1** Connect +24 VDC red wire from the fixture to the power supply +24 VDC red wire with a wire nut. Connect -24VDC black wire from the fixture to power supply -24VDC black wire with a wire nut.

class II power supply

120 VAC

24 VDC to fixture

+24 VDC RED

-24 VDC BLACK

+24 VDC RED

-24 VDC BLACK

# Bara - Installation Instructions

Models BAR-XX



7777 Merrimac Ave  
Niles, IL 60714  
T 224.333.6033  
F 224.757.7557  
info@luminii.com  
www.luminii.com

Please read all instructions prior to installation and keep for future reference!

1. PRODUCT TO BE INSTALLED BY A QUALIFIED ELECTRICIAN.
2. USE ONLY WITH CLASS 2 POWER UNIT.
3. 24 VOLTS DC.
4. SUITABLE FOR DAMP LOCATIONS.
5. SURFACE MOUNT ONLY
6. SUITABLE FOR INSTALLATION WITHIN THE CLOSET STORAGE SPACE.
7. INHERENTLY PROTECTED

PLENUM FOR SUCH USE IN ACCORDANCE WITH UL2043

REVO.3  
08102022

4 / 6

## T-Bar Clip Installation

**Note:** Prior to installation all 24VDC wires must be present near fixture. Refer to the power supply installation instructions for additional information.  
**Note:** More than one person is recommended for this installation.

**1** **1.1** lead wire (off centered)

back of fixture

4" every 30" 4"

**1.2** t-bar clip

grid track

**1.3** Clip on the light fixtures

**1.3.1** Align light fixture to one side of the clips, make sure the fixture is held.

**1.3.2** Snap on the other side.

**Note:** DO NOT snap two sides at the same time

t-bar clip

fixed clip

fixture

Snap

**2** **2.1** Follow one of the two options to connect the fixture to the power supply.

**Option 1-** Secure female quick connect to male quick connect. Feed male quick connect wire through conduit to power supply.

wires from fixture

to power supply

male quick connect

female quick connect

**OR**

**Option 2-** Feed wire whip to the power supply.

wires from fixture

**3** **3.1** Connect +24 VDC red wire from the fixture to the power supply +24 VDC red wire with a wire nut. Connect -24VDC black wire from the fixture to power supply -24VDC black wire with a wire nut.

class II power supply

120 VAC

24 VDC to fixture

+24 VDC RED

-24 VDC BLACK

# Bara - Installation Instructions

Models BAR-XX

Please read all instructions prior to installation and keep for future reference!

1. PRODUCT TO BE INSTALLED BY A QUALIFIED ELECTRICIAN.
2. USE ONLY WITH CLASS 2 POWER UNIT.
3. 24 VOLTS DC.
4. SUITABLE FOR DAMP LOCATIONS.
5. SURFACE MOUNT ONLY
6. SUITABLE FOR INSTALLATION WITHIN THE CLOSET STORAGE SPACE.
7. INHERENTLY PROTECTED

PLENUM FOR SUCH USE IN ACCORDANCE WITH UL2043



REVO.3  
08102022

5 / 6



7777 Merrimac Ave  
Niles, IL 60714  
T 224.333.6033  
F 224.757.7557  
info@luminii.com  
www.luminii.com

## Drywall Installation

**Note:** Prior to installation all 24VDC wires must be present near fixture. Refer to the power supply installation instructions for additional information.  
**Note:** More than one person is recommended for this installation.

**1**

back of fixture

4" every 30"

**1.1** Determine the location of where the fixture(s) will be installed. Lay the fixture(s) on the surface, and make any necessary reference marks for the fixed mounting clips. Make marks 4" from each end of the fixture(s) and also every 30" in between.

**1.2** Lay the fixed clip onto the reference mark points. Drill a 3/16" hole and insert the drywall anchor. Lay down the clips and secure with the screw.

**1.3** Clip on the light fixtures

- 1.3.1** Align light fixture to one side of the clips, make sure the fixture is held.
- 1.3.2** Snap on the other side.

fixed clip

drywall anchor

screw

fixture

**Note:** DO NOT snap two sides at the same time.

Snap

**2**

**2.1** Follow one of the two options to connect the fixture to the power supply.

**Option 1-** Secure female quick connect to male quick connect. Feed male quick connect wire through conduit to power supply.

wires from fixture

to power supply

male quick connect

female quick connect

**OR**

**Option 2-** Feed wire whip to the power supply.

wires from fixture

**3**

**3.1** Connect +24 VDC red wire from the fixture to the power supply +24 VDC red wire with a wire nut. Connect -24VDC black wire from the fixture to power supply -24VDC black wire with a wire nut.

class II power supply

120 VAC

24 VDC to fixture

+24 VDC RED

-24 VDC BLACK

+24 VDC RED

-24 VDC BLACK

# Bara - Installation Instructions

Models BAR-XX

Please read all instructions prior to installation and keep for future reference!

1. PRODUCT TO BE INSTALLED BY A QUALIFIED ELECTRICIAN.
2. USE ONLY WITH CLASS 2 POWER UNIT.
3. 24 VOLTS DC.
4. SUITABLE FOR DAMP LOCATIONS.
5. SURFACE MOUNT ONLY
6. SUITABLE FOR INSTALLATION WITHIN THE CLOSET STORAGE SPACE.
7. INHERENTLY PROTECTED

PLENUM FOR SUCH USE IN ACCORDANCE WITH UL2043



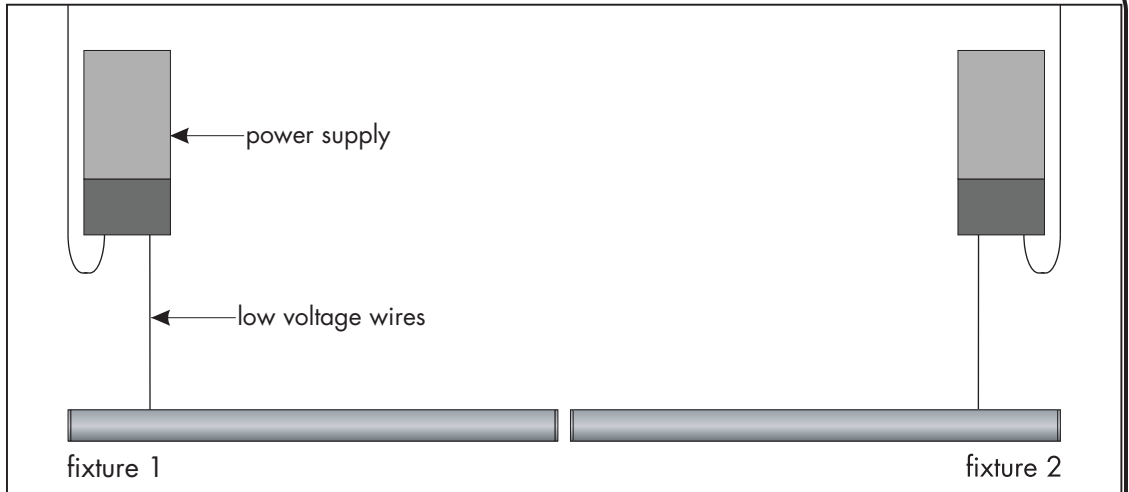
REVO.3  
08102022

6 / 6

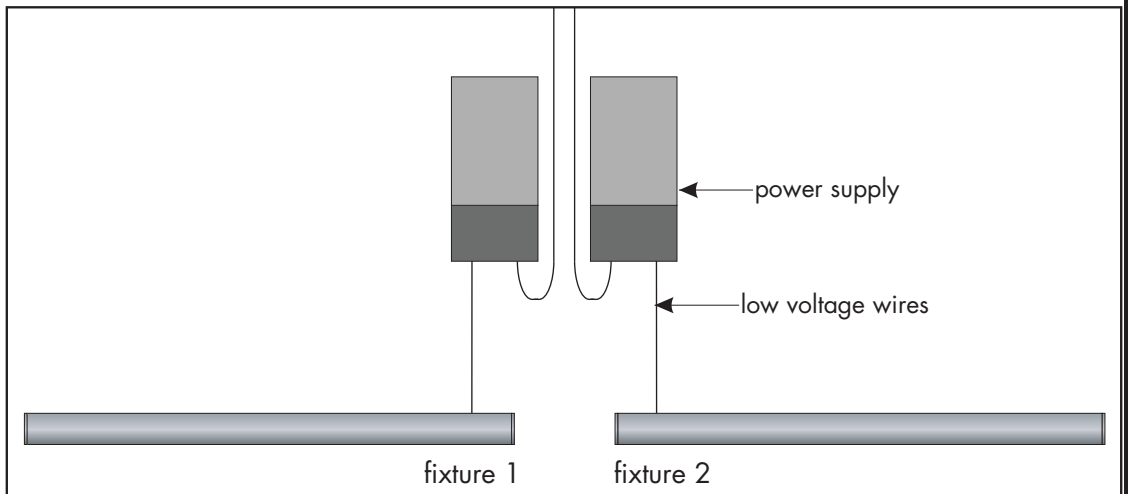


7777 Merrimac Ave  
Niles, IL 60714  
T 224.333.6033  
F 224.757.7557  
info@luminii.com  
www.luminii.com

## power supplies at the end of the run



## power supplies in the middle of the run



## consecutive layout, NOT RECOMMENDED

