



**TECHNICAL DESCRIPTION**

Atto is a Constant Current single source LED spotlight that is machined from aerospace grade aluminium 6063-T6 and comes as standard in white, black and brushed aluminium along with three premium brass finishes. It has four site-changeable optics for flexible beam distribution and is fully adjustable with lockable 360° pan and 180° tilt. The narrow beam in our 1.12W 102lm module has a peak intensity of 794cd. A snoot and accessory holder is available separately.

**MECHANICAL & ELECTRICAL**

<b>CATEGORY</b> IP20	<b>WATTAGE</b> 1.12W
<b>MATERIAL</b> Machined AL 6063-T6   Machined Brass	<b>FORWARD VOLTAGE</b> 3.2V
<b>PAN</b> 360°	<b>DRIVE CURRENT</b> 350mA
<b>TILT</b> 180°	<b>SUPPLY TYPE</b> Constant Current
<b>LOCKABLE</b> Pan & Tilt	<b>DRIVER LOCATION</b> Remote
<b>WEIGHT</b> 26g   0.06lb	<b>DIMMING</b> DALI   0-10V   1-10V

**MOUNTING**

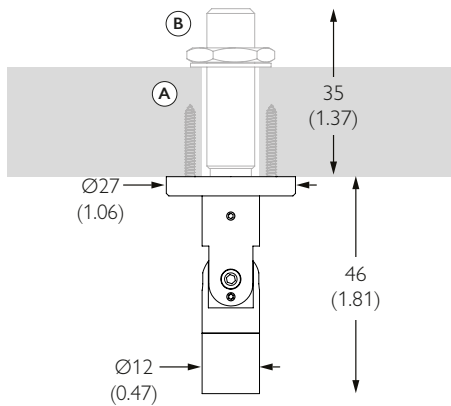
<b>MOUNTING</b> M10 / Screw Fixing	<b>CUTOUT</b> N/A
<b>CEILING THICKNESS</b> N/A	<b>MIN CEILING VOID</b> N/A

**FINISHES**

**FINISHES** Brushed Aluminium | White RAL9010 | Matte Black Anodised | Rubbed Bronze\* | Polished Brass\* | Brushed Brass\*  
\*Premium & custom finishes are built & finished to order. These are subject to an extended lead time & MOQ.

**OPTICAL & STANDARDS**

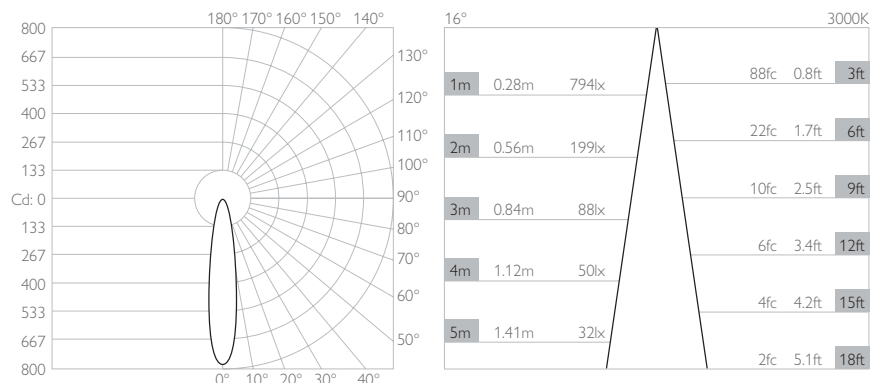
<b>NOMINAL LUMENS</b> 102lm	<b>BEAM ANGLE</b> 16°
<b>DELIVERED LUMENS</b> 94lm	<b>CRI</b> 95 TYP
<b>COLOUR TEMPERATURE</b> 2700K   3000K	<b>TM-30</b> RF: 93 RG: 99
<b>ACCESSORY HOLDER</b> N/A	<b>WARRANTY</b> 5 Years
<b>ACCESSORIES</b> Snoots	<b>STANDARDS</b>



mm (inches)

threaded stud B can be removed upon request

Photometry shown is for 3000K module. Please enquire for other CCT photometry. L90 50,000 hours.



**LUMINAIRE FINISH**

White 9010	Matt Black Anodised	Brushed Aluminium	Rubbed Bronze*	Polished Brass*	Brushed Brass*
761-WH-XX9516	761-EBA-XX9516	761-AL-XX9516	761-RB-XX9516	761-PB-XX9516	761-SB-XX9516

\*All premium & custom finishes are built & finished to order. These are subject to an extended lead time & MOQ

For 3000K Substitute XX with 30

For 2700K Substitute XX with 27



**TECHNICAL DESCRIPTION**

Atto is a Constant Current single source LED spotlight that is machined from aerospace grade aluminium 6063-T6 and comes as standard in white, black and brushed aluminium along with three premium brass finishes. It has four site-changeable optics for flexible beam distribution and is fully adjustable with lockable 360° pan and 180° tilt. The medium beam in our 1.12W 102lm module has a peak intensity of 359cd. A snoot and accessory holder is available separately.

**MECHANICAL & ELECTRICAL**

<b>CATEGORY</b> IP20	<b>WATTAGE</b> 1.12W
<b>MATERIAL</b> Machined AL 6063-T6   Machined Brass	<b>FORWARD VOLTAGE</b> 3.2V
<b>PAN</b> 360°	<b>DRIVE CURRENT</b> 350mA
<b>TILT</b> 180°	<b>SUPPLY TYPE</b> Constant Current
<b>LOCKABLE</b> Pan & Tilt	<b>DRIVER LOCATION</b> Remote
<b>WEIGHT</b> 26g   0.06lb	<b>DIMMING</b> DALI   0-10V   1-10V

**MOUNTING**

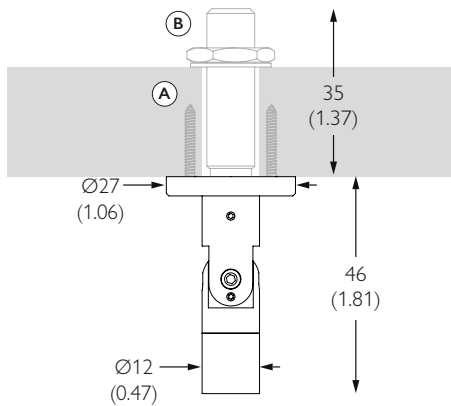
<b>MOUNTING</b> M10 / Screw Fixing	<b>CUTOUT</b> N/A
<b>CEILING THICKNESS</b> N/A	<b>MIN CEILING VOID</b> N/A

**FINISHES**

**FINISHES** Brushed Aluminium | White RAL9010 | Matte Black Anodised | Rubbed Bronze\* | Polished Brass\* | Brushed Brass\*  
\*Premium & custom finishes are built & finished to order. These are subject to an extended lead time & MOQ.

**OPTICAL & STANDARDS**

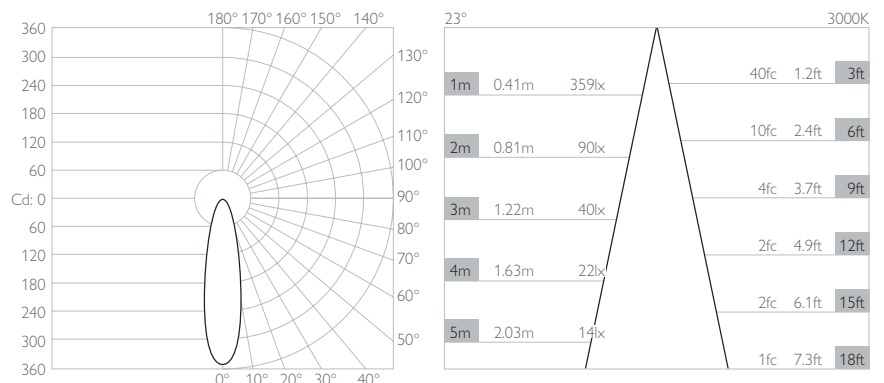
<b>NOMINAL LUMENS</b> 102lm	<b>BEAM ANGLE</b> 23°
<b>DELIVERED LUMENS</b> 92lm	<b>CRI</b> 95 TYP
<b>COLOUR TEMPERATURE</b> 2700K   3000K	<b>TM-30</b> RF: 93 RG: 99
<b>ACCESSORY HOLDER</b> N/A	<b>WARRANTY</b> 5 Years
<b>ACCESSORIES</b> Snoots	<b>STANDARDS</b>



mm (inches)

threaded stud B can be removed upon request

Photometry shown is for 3000K module. Please enquire for other CCT photometry. L90 50,000 hours.



**LUMINAIRE FINISH**

White 9010	Matt Black Anodised	Brushed Aluminium	Rubbed Bronze*	Polished Brass*	Brushed Brass*
761-WH-XX9523	761-EBA-XX9523	761-AL-XX9523	761-RB-XX9523	761-PB-XX9523	761-SB-XX9523

\*All premium & custom finishes are built & finished to order. These are subject to an extended lead time & MOQ

For 3000K Substitute XX with 30

For 2700K Substitute XX with 27



**TECHNICAL DESCRIPTION**

Atto is a Constant Current single source LED spotlight that is machined from aerospace grade aluminium 6063-T6 and comes as standard in white, black and brushed aluminium along with three premium brass finishes. It has four site-changeable optics for flexible beam distribution and is fully adjustable with lockable 360° pan and 180° tilt. The flood beam in our 1.12W 102lm module has a peak intensity of 109cd. A snoot and accessory holder is available separately.

**MECHANICAL & ELECTRICAL**

<b>CATEGORY</b> IP20	<b>WATTAGE</b> 1.12W
<b>MATERIAL</b> Machined AL 6063-T6   Machined Brass	<b>FORWARD VOLTAGE</b> 3.2V
<b>PAN</b> 360°	<b>DRIVE CURRENT</b> 350mA
<b>TILT</b> 180°	<b>SUPPLY TYPE</b> Constant Current
<b>LOCKABLE</b> Pan & Tilt	<b>DRIVER LOCATION</b> Remote
<b>WEIGHT</b> 26g   0.06lb	<b>DIMMING</b> DALI   0-10V   1-10V

**MOUNTING**

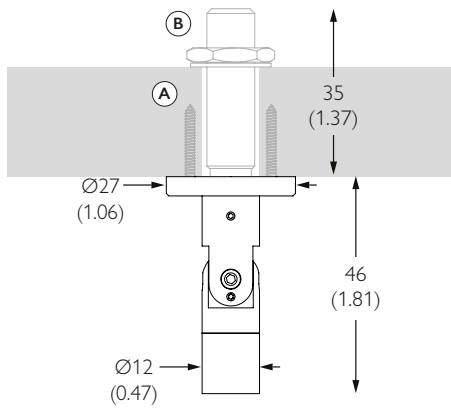
<b>MOUNTING</b> M10 / Screw Fixing	<b>CUTOUT</b> N/A
<b>CEILING THICKNESS</b> N/A	<b>MIN CEILING VOID</b> N/A

**FINISHES**

**FINISHES** Brushed Aluminium | White RAL9010 | Matte Black Anodised | Rubbed Bronze\* | Polished Brass\* | Brushed Brass\*  
\*Premium & custom finishes are built & finished to order. These are subject to an extended lead time & MOQ.

**OPTICAL & STANDARDS**

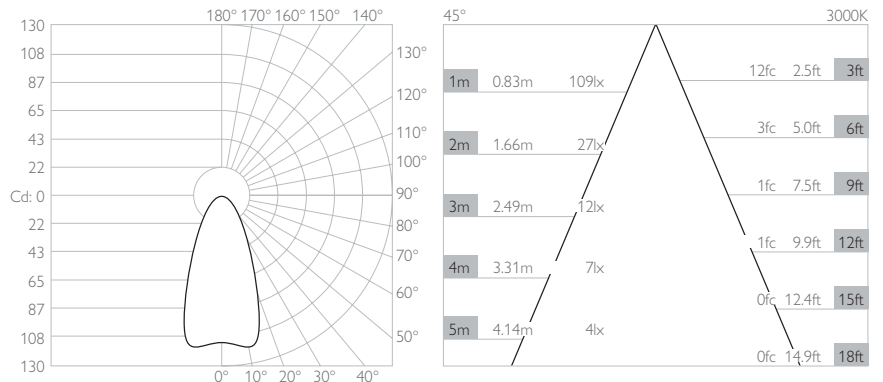
<b>NOMINAL LUMENS</b> 102lm	<b>BEAM ANGLE</b> 45°
<b>DELIVERED LUMENS</b> 93lm	<b>CRI</b> 95 TYP
<b>COLOUR TEMPERATURE</b> 2700K   3000K	<b>TM-30</b> RF: 93 RG: 99
<b>ACCESSORY HOLDER</b> N/A	<b>WARRANTY</b> 5 Years
<b>ACCESSORIES</b> Snoots	<b>STANDARDS</b>



mm (inches)

threaded stud B can be removed upon request

Photometry shown is for 3000K module. Please enquire for other CCT photometry. L90 50,000 hours.



**LUMINAIRE FINISH**

White 9010	Matt Black Anodised	Brushed Aluminium	Rubbed Bronze*	Polished Brass*	Brushed Brass*
761-WH-XX9545	761-EBA-XX9545	761-AL-XX9545	761-RB-XX9545	761-PB-XX9545	761-SB-XX9545

\*All premium & custom finishes are built & finished to order. These are subject to an extended lead time & MOQ

For 3000K Substitute XX with 30

For 2700K Substitute XX with 27

WIDE FLOOD



TECHNICAL DESCRIPTION

Atto is a Constant Current single source LED spotlight that is machined from aerospace grade aluminium 6063-T6 and comes as standard in white, black and brushed aluminium along with three premium brass finishes. It has four site-changeable optics for flexible beam distribution and is fully adjustable with lockable 360° pan and 180° tilt. The wide flood beam in our 1.12W 102lm module has a peak intensity of 26cd. A snoot and accessory holder is available separately.

MECHANICAL & ELECTRICAL

<b>CATEGORY</b> IP20	<b>WATTAGE</b> 1.12W
<b>MATERIAL</b> Machined AL 6063-T6   Machined Brass	<b>FORWARD VOLTAGE</b> 3.2V
<b>PAN</b> 360°	<b>DRIVE CURRENT</b> 350mA
<b>TILT</b> 180°	<b>SUPPLY TYPE</b> Constant Current
<b>LOCKABLE</b> Pan & Tilt	<b>DRIVER LOCATION</b> Remote
<b>WEIGHT</b> 26g   0.06lb	<b>DIMMING</b> DALI   0-10V   1-10V

MOUNTING

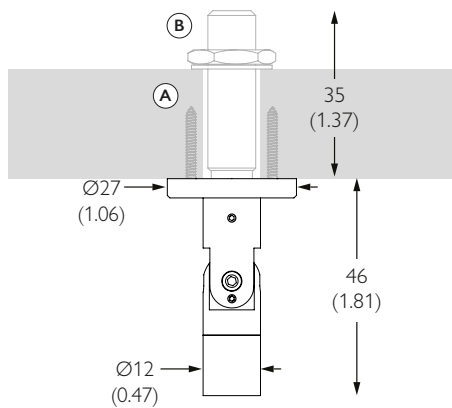
<b>MOUNTING</b> M10 / Screw Fixing	<b>CUTOUT</b> N/A
<b>CEILING THICKNESS</b> N/A	<b>MIN CEILING VOID</b> N/A

FINISHES

**FINISHES** Brushed Aluminium | White RAL9010 | Matte Black Anodised | Rubbed Bronze\* | Polished Brass\* | Brushed Brass\*  
\*Premium & custom finishes are built & finished to order. These are subject to an extended lead time & MOQ.

OPTICAL & STANDARDS

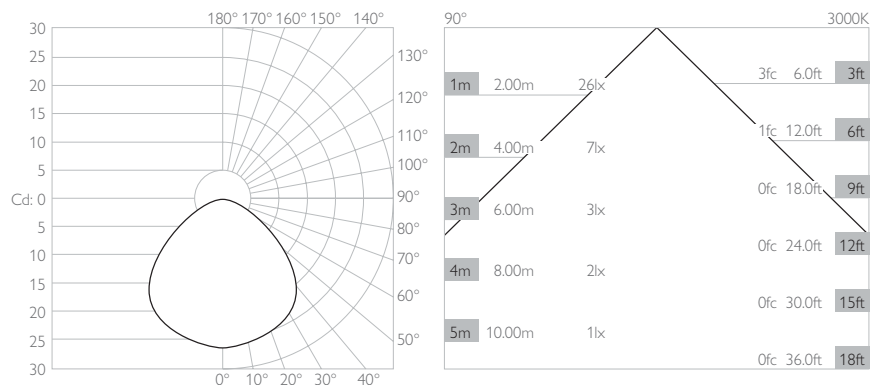
<b>NOMINAL LUMENS</b> 102lm	<b>BEAM ANGLE</b> 90°
<b>DELIVERED LUMENS</b> 69lm	<b>CRI</b> 95 TYP
<b>COLOUR TEMPERATURE</b> 2700K   3000K	<b>TM-30</b> RF: 93 RG: 99
<b>ACCESSORY HOLDER</b> N/A	<b>WARRANTY</b> 5 Years
<b>ACCESSORIES</b> Snoots	<b>STANDARDS</b>



mm (inches)

threaded stud B can be removed upon request

Photometry shown is for 3000K module. Please enquire for other CCT photometry. L90 50,000 hours.



LUMINAIRE FINISH

White 9010	Matt Black Anodised	Brushed Aluminium	Rubbed Bronze*	Polished Brass*	Brushed Brass*
761-WH-XX9590	761-EBA-XX9590	761-AL-XX9590	761-RB-XX9590	761-PB-XX9590	761-SB-XX9590

\*All premium & custom finishes are built & finished to order. These are subject to an extended lead time & MOQ

For 3000K Substitute XX with 30

For 2700K Substitute XX with 27