

NARROW



TECHNICAL DESCRIPTION

Atto T is a Constant Current single source LED spotlight that is machined from aerospace grade aluminium 6063-T6 and comes as standard in white, black and brushed aluminium along with three premium brass finishes. It has four site-changeable optics for flexible beam distribution and is fully adjustable with lockable 360° pan and 180° tilt. The narrow beam in our 1.12W 102lm module has a peak intensity of 794cd. A snoot and accessory holder is available separately.

MECHANICAL & ELECTRICAL

CATEGORY IP20	WATTAGE 1.12W
MATERIAL Machined AL 6063-T6 Machined Brass	FORWARD VOLTAGE 3.2V
PAN 360°	DRIVE CURRENT 350mA
TILT 180°	SUPPLY TYPE Constant Current
LOCKABLE Pan & Tilt	DRIVER LOCATION Remote
WEIGHT 29g 0.06lb	DIMMING DALI 0-10V 1-10V

MOUNTING

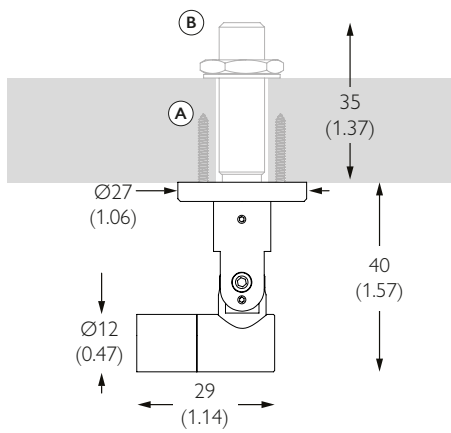
MOUNTING M10 / Screw Fixing	CUTOUT N/A
CEILING THICKNESS N/A	MIN CEILING VOID N/A

FINISHES

FINISHES Brushed Aluminium | White RAL9010 | Matte Black Anodised | Rubbed Bronze* | Polished Brass* | Brushed Brass*
*Premium & custom finishes are built & finished to order. These are subject to an extended lead time & MOQ.

OPTICAL & STANDARDS

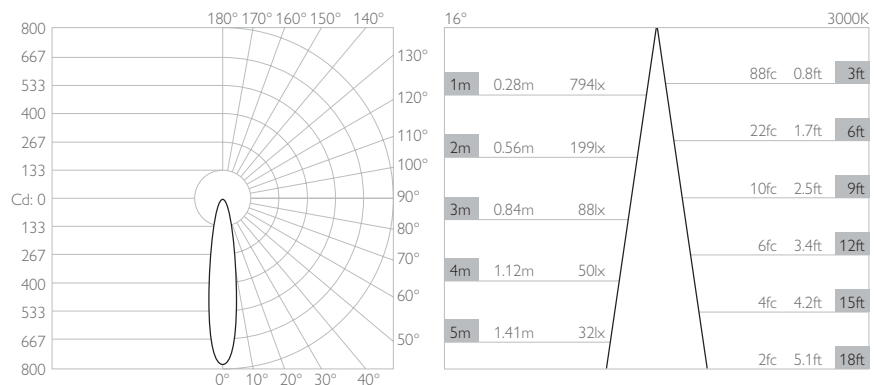
NOMINAL LUMENS 102lm	BEAM ANGLE 16°
DELIVERED LUMENS 94lm	CRI 95 TYP
COLOUR TEMPERATURE 2700K 3000K	TM-30 RF: 93 RG: 99
ACCESSORY HOLDER N/A	WARRANTY 5 Years
ACCESSORIES Snoots	STANDARDS



mm (inches)

threaded stud B can be removed upon request

Photometry shown is for 3000K module. Please enquire for other CCT photometry. L90 50,000 hours.



LUMINAIRE FINISH

White 9010	Matt Black Anodised	Brushed Aluminium	Rubbed Bronze*	Polished Brass*	Brushed Brass*
762-WH-XX9516	762-EBA-XX9516	762-AL-XX9516	762-RB-XX9516	762-PB-XX9516	762-SB-XX9516

*All premium & custom finishes are built & finished to order. These are subject to an extended lead time & MOQ

For 3000K Substitute XX with 30

For 2700K Substitute XX with 27

MEDIUM



TECHNICAL DESCRIPTION

Atto T is a Constant Current single source LED spotlight that is machined from aerospace grade aluminium 6063-T6 and comes as standard in white, black and brushed aluminium along with three premium brass finishes. It has four site-changeable optics for flexible beam distribution and is fully adjustable with lockable 360° pan and 180° tilt. The medium beam in our 1.12W 102lm module has a peak intensity of 359cd. A snoot and accessory holder is available separately.

MECHANICAL & ELECTRICAL

CATEGORY IP20	WATTAGE 1.12W
MATERIAL Machined AL 6063-T6 Machined Brass	FORWARD VOLTAGE 3.2V
PAN 360°	DRIVE CURRENT 350mA
TILT 180°	SUPPLY TYPE Constant Current
LOCKABLE Pan & Tilt	DRIVER LOCATION Remote
WEIGHT 29g 0.06lb	DIMMING DALI 0-10V 1-10V

MOUNTING

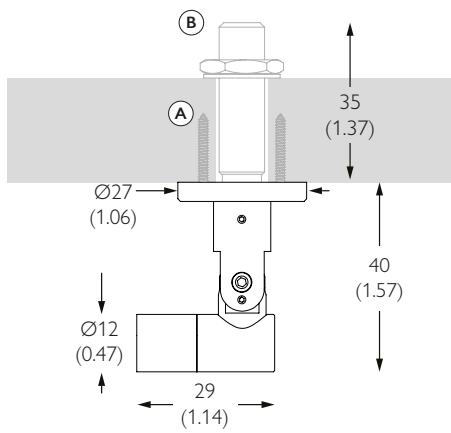
MOUNTING M10 / Screw Fixing	CUTOUT N/A
CEILING THICKNESS N/A	MIN CEILING VOID N/A

FINISHES

FINISHES Brushed Aluminium | White RAL9010 | Matte Black Anodised | Rubbed Bronze* | Polished Brass* | Brushed Brass*
*Premium & custom finishes are built & finished to order. These are subject to an extended lead time & MOQ.

OPTICAL & STANDARDS

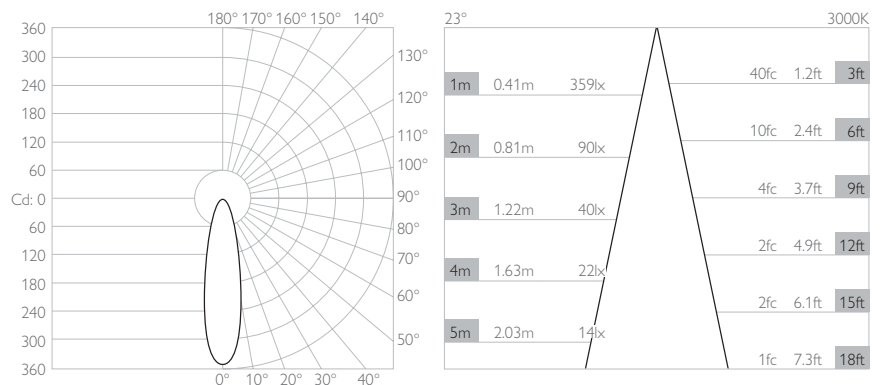
NOMINAL LUMENS 102lm	BEAM ANGLE 23°
DELIVERED LUMENS 92lm	CRI 95 TYP
COLOUR TEMPERATURE 2700K 3000K	TM-30 RF: 93 RG: 99
ACCESSORY HOLDER N/A	WARRANTY 5 Years
ACCESSORIES Snoots	STANDARDS



mm (inches)

threaded stud B can be removed upon request

Photometry shown is for 3000K module. Please enquire for other CCT photometry. L90 50,000 hours.



LUMINAIRE FINISH

White 9010	Matt Black Anodised	Brushed Aluminium	Rubbed Bronze*	Polished Brass*	Brushed Brass*
762-WH-XX9523	762-EBA-XX9523	762-AL-XX9523	762-RB-XX9523	762-PB-XX9523	762-SB-XX9523

*All premium & custom finishes are built & finished to order. These are subject to an extended lead time & MOQ

For 3000K Substitute XX with 30

For 2700K Substitute XX with 27

FLOOD



TECHNICAL DESCRIPTION

Atto T is a Constant Current single source LED spotlight that is machined from aerospace grade aluminium 6063-T6 and comes as standard in white, black and brushed aluminium along with three premium brass finishes. It has four site-changeable optics for flexible beam distribution and is fully adjustable with lockable 360° pan and 180° tilt. The flood beam in our 1.12W 102lm module has a peak intensity of 109cd. A snoot and accessory holder is available separately.

MECHANICAL & ELECTRICAL

CATEGORY IP20	WATTAGE 1.12W
MATERIAL Machined AL 6063-T6 Machined Brass	FORWARD VOLTAGE 3.2V
PAN 360°	DRIVE CURRENT 350mA
TILT 180°	SUPPLY TYPE Constant Current
LOCKABLE Pan & Tilt	DRIVER LOCATION Remote
WEIGHT 29g 0.06lb	DIMMING DALI 0-10V 1-10V

MOUNTING

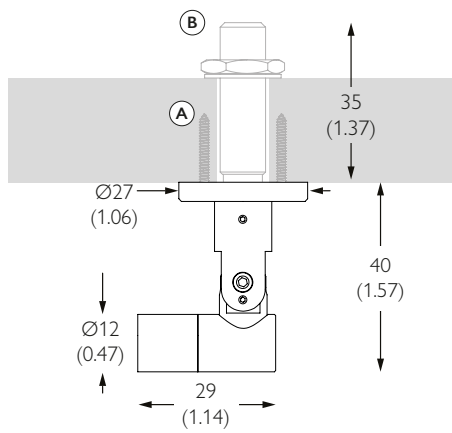
MOUNTING M10 / Screw Fixing	CUTOUT N/A
CEILING THICKNESS N/A	MIN CEILING VOID N/A

FINISHES

FINISHES Brushed Aluminium | White RAL9010 | Matte Black Anodised | Rubbed Bronze* | Polished Brass* | Brushed Brass*
*Premium & custom finishes are built & finished to order. These are subject to an extended lead time & MOQ.

OPTICAL & STANDARDS

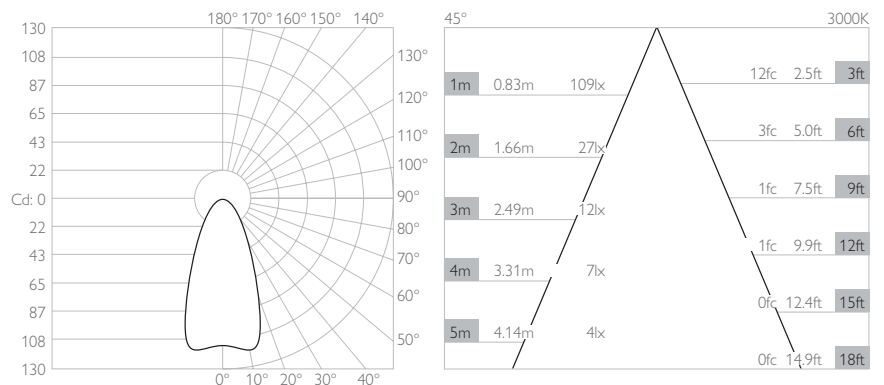
NOMINAL LUMENS 102lm	BEAM ANGLE 45°
DELIVERED LUMENS 93lm	CRI 95 TYP
COLOUR TEMPERATURE 2700K 3000K	TM-30 RF: 93 RG: 99
ACCESSORY HOLDER N/A	WARRANTY 5 Years
ACCESSORIES Snoots	STANDARDS



mm (inches)

threaded stud B can be removed upon request

Photometry shown is for 3000K module. Please enquire for other CCT photometry. L90 50,000 hours.



LUMINAIRE FINISH

White 9010	Matt Black Anodised	Brushed Aluminium	Rubbed Bronze*	Polished Brass*	Brushed Brass*
762-WH-XX9545	762-EBA-XX9545	762-AL-XX9545	762-RB-XX9545	762-PB-XX9545	762-SB-XX9545

*All premium & custom finishes are built & finished to order. These are subject to an extended lead time & MOQ

For 3000K Substitute XX with 30

For 2700K Substitute XX with 27

WIDE FLOOD



TECHNICAL DESCRIPTION

Atto T is a Constant Current single source LED spotlight that is machined from aerospace grade aluminium 6063-T6 and comes as standard in white, black and brushed aluminium along with three premium brass finishes. It has four site-changeable optics for flexible beam distribution and is fully adjustable with lockable 360° pan and 180° tilt. The wide flood beam in our 1.12W 102lm module has a peak intensity of 26cd. A snoot and accessory holder is available separately.

MECHANICAL & ELECTRICAL

CATEGORY IP20	WATTAGE 1.12W
MATERIAL Machined AL 6063-T6 Machined Brass	FORWARD VOLTAGE 3.2V
PAN 360°	DRIVE CURRENT 350mA
TILT 180°	SUPPLY TYPE Constant Current
LOCKABLE Pan & Tilt	DRIVER LOCATION Remote
WEIGHT 29g 0.06lb	DIMMING DALI 0-10V 1-10V

MOUNTING

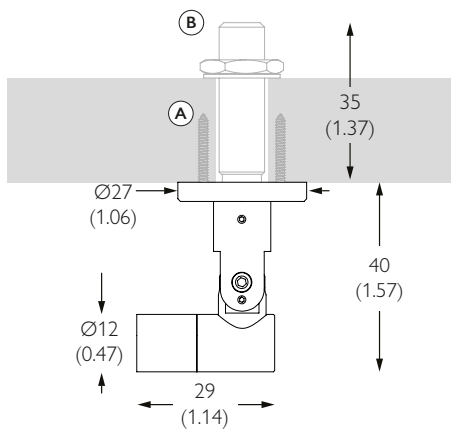
MOUNTING M10 / Screw Fixing	CUTOUT N/A
CEILING THICKNESS N/A	MIN CEILING VOID N/A

FINISHES

FINISHES Brushed Aluminium | White RAL9010 | Matte Black Anodised | Rubbed Bronze* | Polished Brass* | Brushed Brass*
*Premium & custom finishes are built & finished to order. These are subject to an extended lead time & MOQ.

OPTICAL & STANDARDS

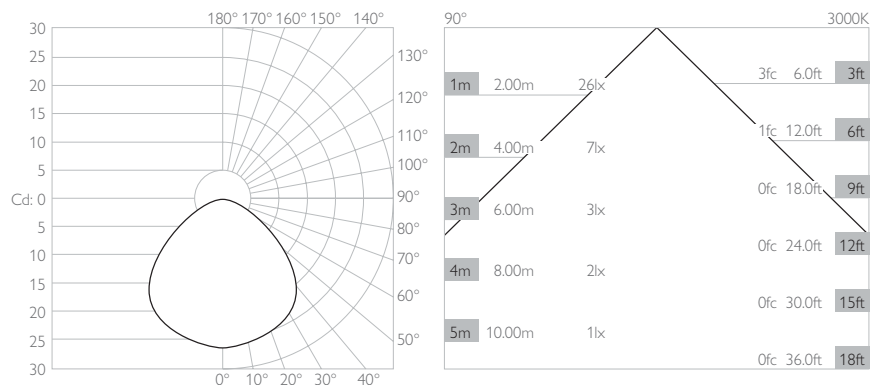
NOMINAL LUMENS 102lm	BEAM ANGLE 90°
DELIVERED LUMENS 69lm	CRI 95 TYP
COLOUR TEMPERATURE 2700K 3000K	TM-30 RF: 93 RG: 99
ACCESSORY HOLDER N/A	WARRANTY 5 Years
ACCESSORIES Snoots	STANDARDS



mm (inches)

threaded stud B can be removed upon request

Photometry shown is for 3000K module. Please enquire for other CCT photometry. L90 50,000 hours.



LUMINAIRE FINISH

White 9010	Matt Black Anodised	Brushed Aluminium	Rubbed Bronze*	Polished Brass*	Brushed Brass*
762-WH-XX9590	762-EBA-XX9590	762-AL-XX9590	762-RB-XX9590	762-PB-XX9590	762-SB-XX9590

*All premium & custom finishes are built & finished to order. These are subject to an extended lead time & MOQ

For 3000K Substitute XX with 30 - For 2700K Substitute XX with 27