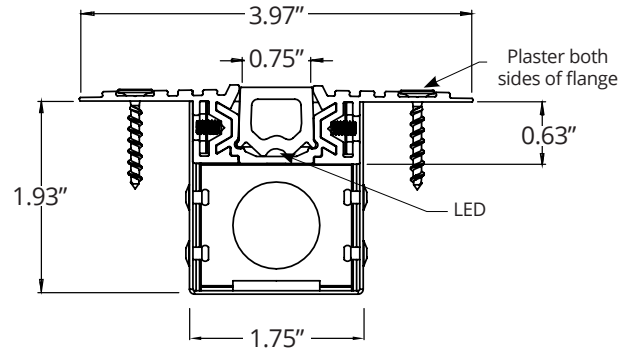


TECHNICAL INFORMATION



A recessed mud-in system with 100' single piece lens for long, continuous runs.

FEATURES

- Recesses into 5/8" drywall
- Seamless lens up to 100' long
- Factory built precision Inside and Outside Corners
- Three Output Options Available
- Painted Eggshell RAL 9010 with primer to accept field painting
- Single micro binned LEDs +/- 100 CCT
- 5 Year Warranty

MODEL	SO (LL91STP-SO)	MO (LL91STP-MO)	HO (LL91STP-HO)
Lumens @ 3000K	113 lum/ft	210 lum/ft	312 lum/ft
Average power consumption	2.0 W/ft	4.0 W/ft	7.0 W/ft
Efficacy lum/watt	57 lum/W	53 lum/W	45 lum/W
Maximum run length	40 ft	24 ft	13 ft
Operating Temp.	-20°C (-40°F) to 50° C (122°F)	Environment.	IP20 Dry Location

ORDERING CODE FOR STRIAIGHT SECTIONS

MODEL	LENGTH	CCT	OUTPUT	LEFT END	RIGHT END	POWER FEED POSITION / TYPE
SL = Slot 0.75	12"- 96" = 4" increments, refer to page 2 for more information	18K = 1800K 23K = 2300K* 27K = 2700K 29K = 2900K 35K = 3500K 41K = 4100K	SO = Standard MO = Medium HO = High	LE = w/ endcap LN = w/o endcap	RE = w/ endcap RN = w/o endcap	B = Bottom JB = Integrated junction box 1 = 72" Wire leads

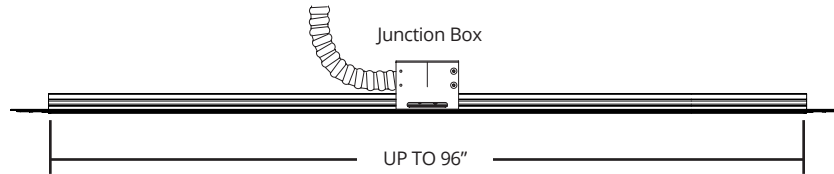
* Not available with SO or MO output

POWER FEED TYPES

JB-1: Slot with Integrated Junction Box

FOR STRIAIGHT SINGLE FIXTURE, LE-RE MUST BE USED IN THE ORDERING CODE TO INCLUDE BOTH ENDCAPS.

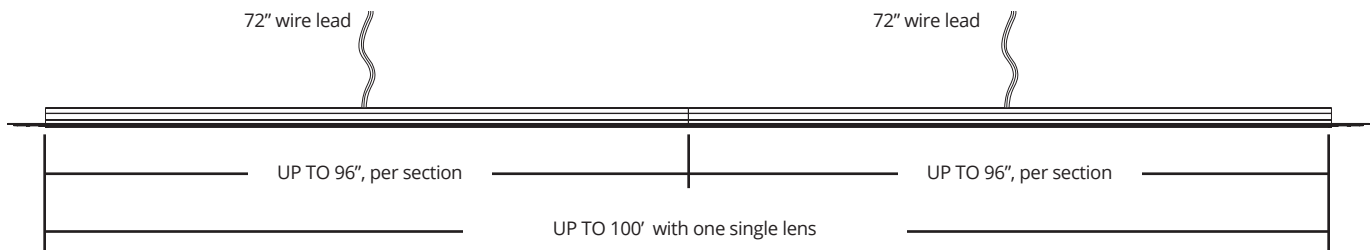
EX. PART# SL-96-30K-SO-LE-RE-JB-1



B-1: Slot with 72" wire lead coming out though the center of fixture, also joining to another fixture section.

FOR SYSTEM LENGTHS LE MUST BE USED ON THE LEFT HAND SIDE FIXTURE, THEN RE ON THE RIGHT HAND FIXTURE

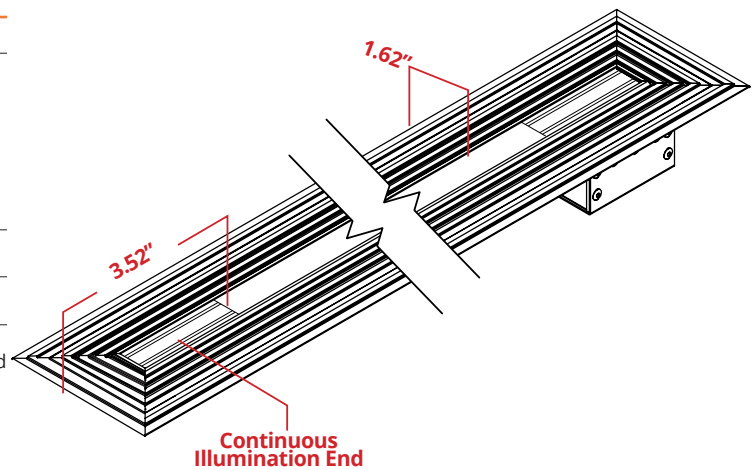
EX. PART# SL-96-30K-SO-LE-RN-B-1 & SL-96-30K-SO-LN-RE-B-1



ADDITIONAL INFORMATION

ELECTRICAL

Input Voltage	24VDC
Dimming Options	<ul style="list-style-type: none"> • PURE DC™ • PSD Series • 0-10V • VintageDim® • DMX • Lutron (2-WIRE, 3-WIRE, EcoSystem)
Power Consumption	2.0W, 4.0W, 7.0W per foot
Wire Size	18AWG
Certification	<p>ETL - Conforms to UL Std. 2108; Certified to CSA Std. C22.2 No. 9.0.</p> <p>Title 24 - All White and Variable White Colors are JA8 2016</p>



PHYSICAL

Operating Temperature	-20° C (-40°F) to +50°C (+122°F)
Environment	IP20 - Dry Location

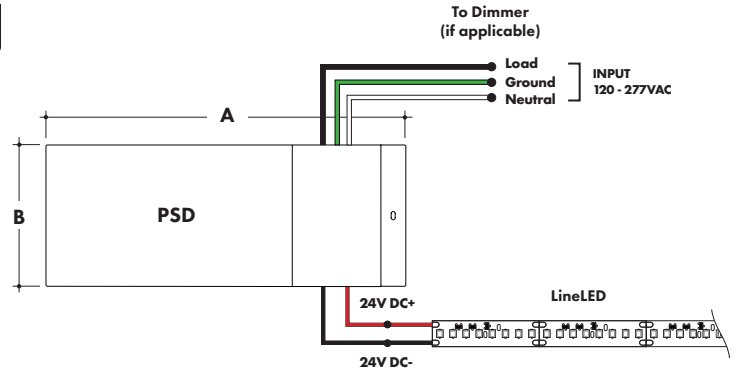
Power Supply

See fixture and power supply instructions & spec sheet for wiring information. Dimming possible in select models - view Luminii website for list of compatible dimmers.

Magnetic Low Voltage Dimming Power Supplies

MODEL	POWER	OUTPUT	INPUT
PSD	48	24	
PSD - PSD Series dims down to 0%	48 - 48 Watt 96 - 96 Watt 288 - 288 Watt (3 x 96Watt)	24 - 24 VDC	Blank - 120 V 240 - 240 V 277 - 277 V

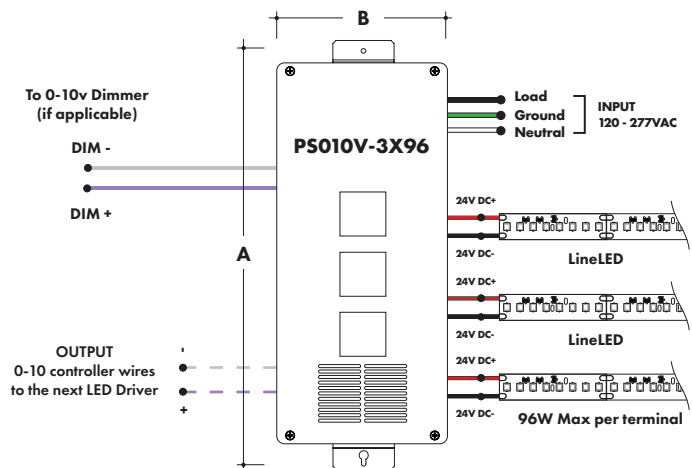
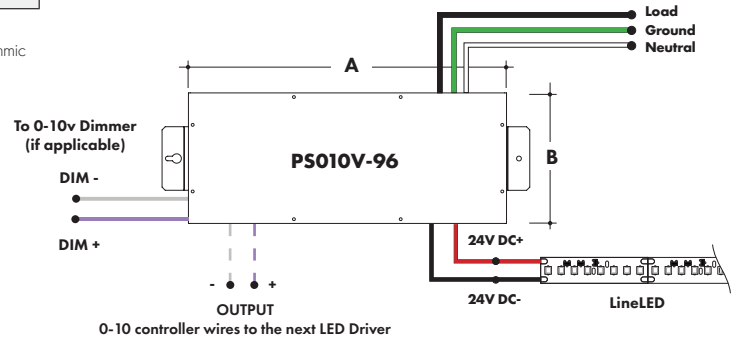
MODELS	PSD 48	PSD 96	PSD 288
A Length	11.25"	11.25"	13.06"
B Width	3.42"	3.42"	8.42"
Depth	3.42"	3.27"	4.47"



0-10V Dimming Power Supplies

MODEL	POWER	OUTPUT	DIMMING
PS010V	96	24	LIN
PS010V - 0-10V Power Supply dims down to 0%	96 - 96 Watt 3X96 - 3 X 96 Watt	24 - 24 VDC	LIN - Linear LOG - Logarithmic

MODELS	96W	3X96
A Length	14.40"	15.75"
B Width	5.20"	6.62"
Depth	2.60"	4.95"



Power Supply

See fixture and power supply instructions & spec sheet for wiring information. Dimming possible in select models - view Luminii website for list of compatible dimmers.

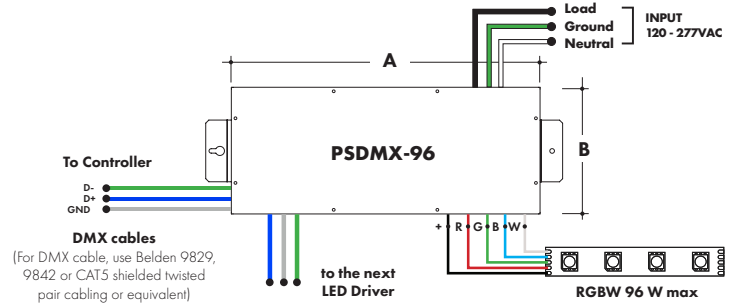
DMX Dimming Power Supplies

MODEL	POWER	OUTPUT
PSDMX	96	24

PSDMX - DMX Power Supply 96 - 96 Watt 24 - 24 VDC
 3X96 - 3 X 96 Watt

Features eldoLED's LINEARdrive configurable dimmable drivers

MODELS	96W	3X96
A Length	14.40"	15.75"
B Width	5.20"	6.62"
Depth	2.60"	4.95"



DMX cables
 (For DMX cable, use Belden 9829, 9842 or CAT5 shielded twisted pair cabling or equivalent)

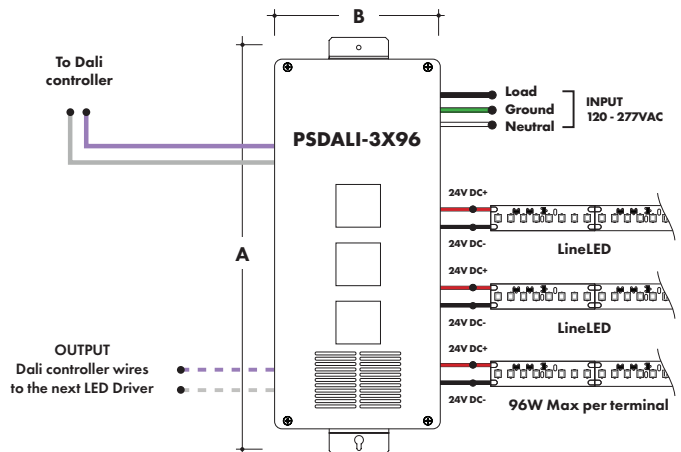
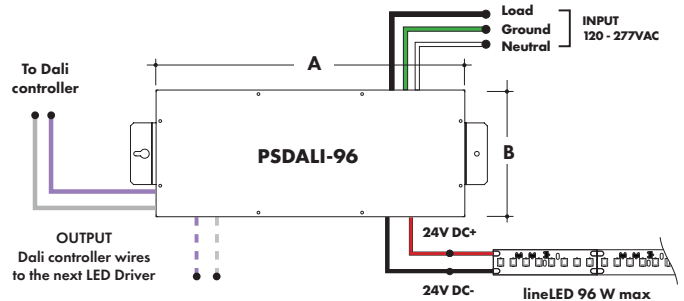
DALI Dimming Power Supplies

MODEL	POWER	OUTPUT
PSDALI	96	24

PSDALI - DALI Power Supply 96 - 96 Watt 24 - 24 VDC
 dims down to 0% 3X96 - 3 X 96 Watt

Features eldoLED's LINEARdrive configurable dimmable drivers

MODELS	96W	3X96
A Length	14.40"	15.75"
B Width	5.20"	6.62"
Depth	2.60"	4.95"



Power Supply

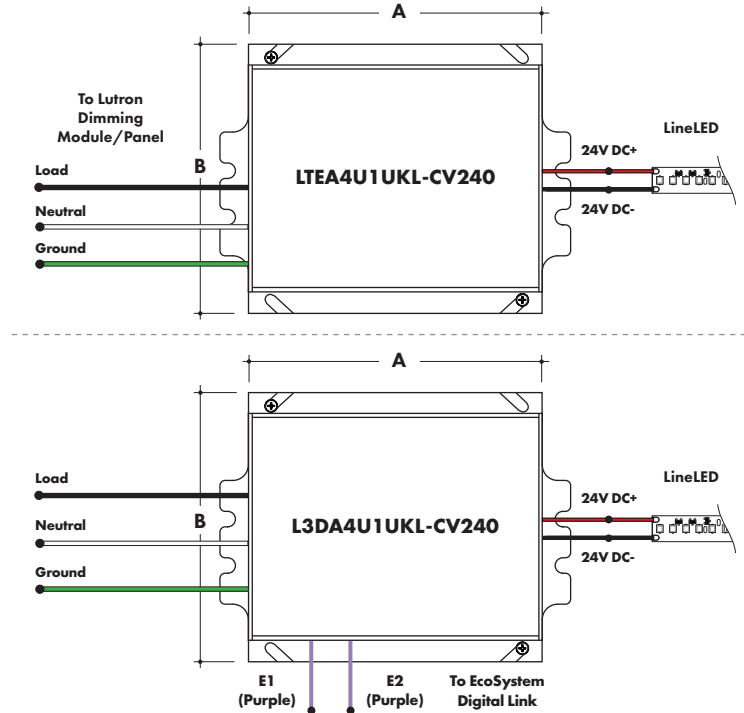
See fixture and power supply instructions & spec sheet for wiring information. Dimming possible in select models - view Luminii website for list of compatible dimmers.



Luminii is a Lutron OEM Advantage Partner

MODEL	MODEL
LTEA4U1UKL-CV240	L3DA4U1UKL-CV240
Lutron - HiLume™ 1% 2-wire LED Driver (120V forward phase only)	HiLume™ 1% EcoSystem Voltage LED driver

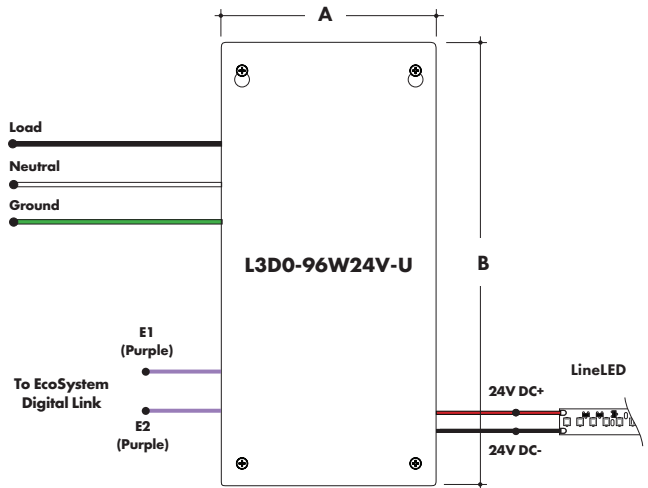
MODELS	LTEA41UKL-CV240	L3DA4U1UKL-CV240
A Length	4.89"	4.98"
B Width	4.00"	4.00"
Depth	2.62"	2.62"



Luminii is a Lutron OEM Advantage Partner

MODEL
L3D0-96W24V-U
HiLume™ 0.1% EcoSystem Voltage LED Driver with Soft-On, Fade-to-Black™

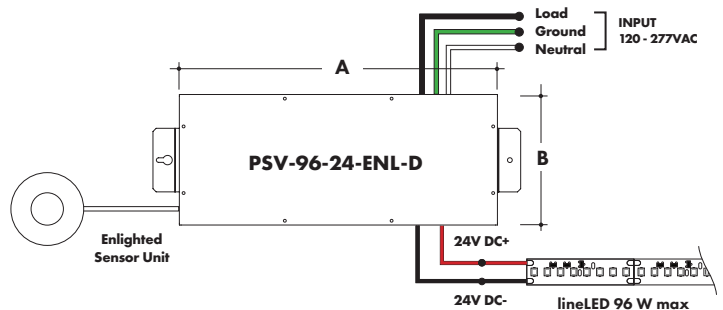
MODELS	L3D0
A Length	10.50"
B Width	5.50"
Depth	2.00"



Enlighted Enabled Dimming Power Supplies:

MODEL	POWER	OUTPUT	DIMMING	LOCATION
PSV	96	24	ENL	D
PSV - PSV Series	96 - 96 Watt	24 - 24 VDC	ENL - Enlighted Dimming	D - Damp

MODELS	96 W
A Length	14.40"
B Width	5.20"
Depth	2.60"



Power Supply

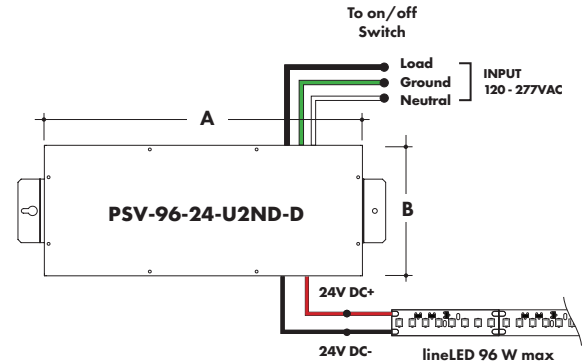
See fixture and power supply instructions & spec sheet for wiring information. Dimming possible in select models - view Luminii website for list of compatible dimmers.

Non-Dimming Power Supply

MODEL	POWER	OUTPUT	DIMMING	LOCATION
PSV	96	24	U2ND	D

PSV - PSV Series 96 - 96 Watt 24 - 24 VDC U2ND - Non Dimming D - Damp

MODELS	96W
A Length	14.40"
B Width	5.20"
Depth	2.60"

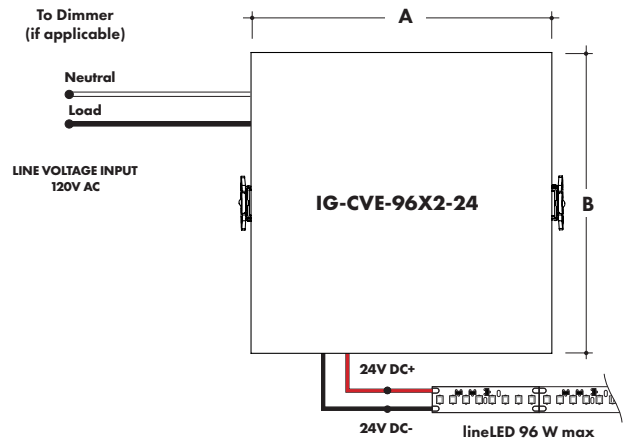


In ground, Electronic Low Voltage Dimming Power Supplies

MODEL	POWER	OUTPUT	INPUT
IG	CVE	96X2	24

IG - In ground CVE Series CVE - ELV Dimming
DALI - eidoLED Dali dimming
Both dims down to 0.1% 96X2 - 2 X 96 Watt 24 - 24 VDC Blank - 120 V
277 - 240/277 V

MODELS	Dual Circuit
A Length	8.40"
B Width	8.30"
Depth	8.10"



Universal Power Supply

MODEL	POWER	OUTPUT
PDCU	30	24

PDCU - PDCU Series 30 - 30 Watt 24 - 24 VDC
60 - 60 Watt
96 - 96 Watt

- 0-10V - 1% dimming
- MLV/ELV/TRIAC - 1% dimming

MODELS	30W	60W	96W	3X96W
A Length	6.50"	7.40"	8.66"	11.83"
B Width	3.73"	3.73"	3.73"	4.32"
Depth	1.61"	1.61"	1.61"	1.81"

