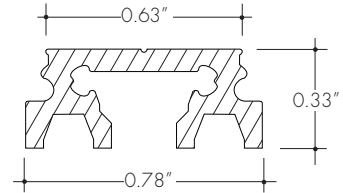
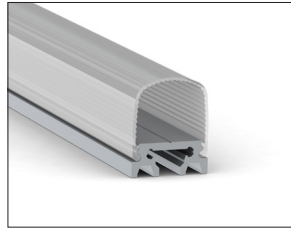
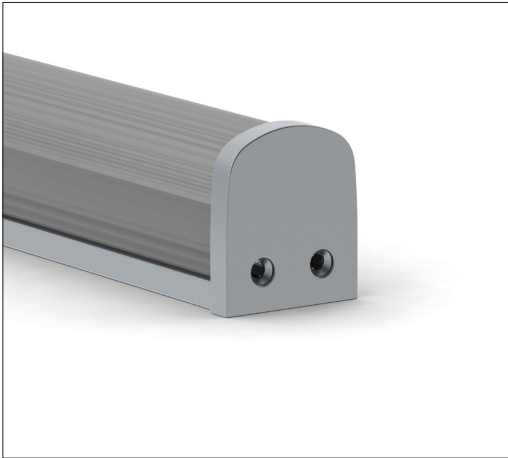


The Que Channel is a linear aluminum extrusion that has been designed to fit many LED lighting needs. Extrusion and diffuser lenses are also field cuttable. Substantial aluminum mass in profile provides excellent heat sink for high power LEDs.

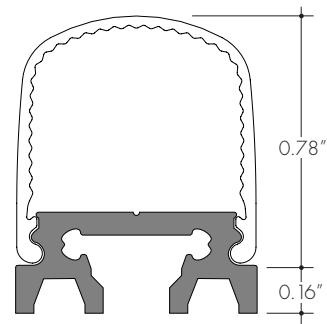


### Technical information

Finish: Silver anodized

Diffuser lens: polycarbonate, snap-in-place, UV resistant

	<b>39</b>	<b>78</b>
Actual length	39.40"	78.75"
Available lenses	frosted	frosted



### Ordering code

MODEL	LENGTH	DIFFUSER	FINISH
<b>QUE</b>	<b>39</b>	<b>FR</b>	<b>SA</b>
QUE - Que aluminum extrusion	39 - 39.40" 78 - 78.75"	FR - Frosted Rounded	SA - Silver anodized

All accessories sold separately.

## End-caps

**EC-QUE-R-H1**



metal finish, frosted round lens only

