



Kurba Vertical Dynamic White is a direct view, small profile, energy efficient and flexible LED strip suitable for wet locations capable of vertical bends up to 2.5" radius. Built with robust factory made power feeds or joiners, Kurba Vertical Dynamic White mounts to a specifically designed aluminum extruded channel.

Operating voltage
24 VDC

Operating temperature
-4 °F to 113 °F
(-20 °C to 45 °C)

Average life
50,000 hours

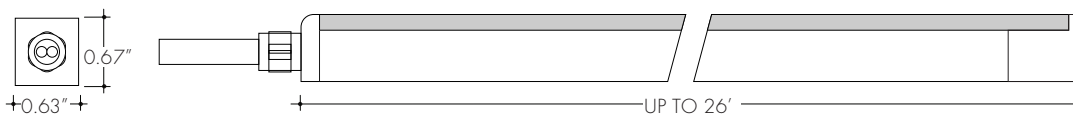
Approvals
Class 2 wet listed, IP67

Warranty
3 years

Applications:
Outdoor wet location



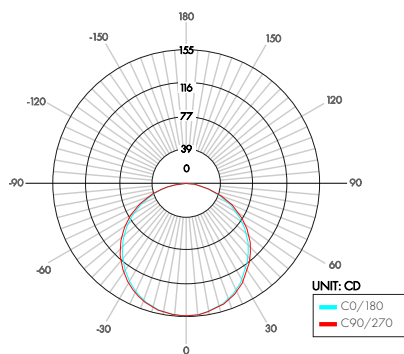
Kurba dimensions



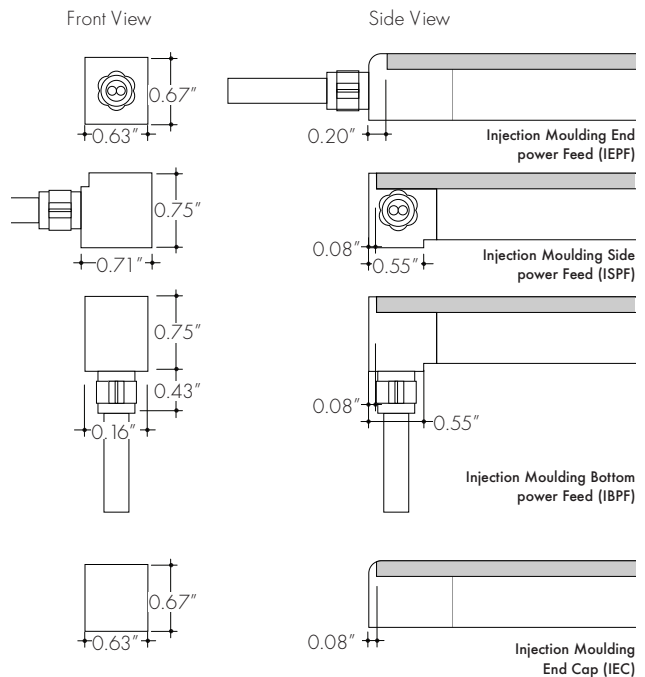
Technical information

MODEL	Dynamic White
LEDS/ft	44
Light output	19K: 55 lm/ft
	27K: 55 lm/ft
	All on: 110 lm/ft
Average power consumption at 4'	3.65 W/ft
Ordering increment	3.28"
Maximum run length (in series)	26 ft

Candle Power Distribution



Section Start/End Powerfeed option

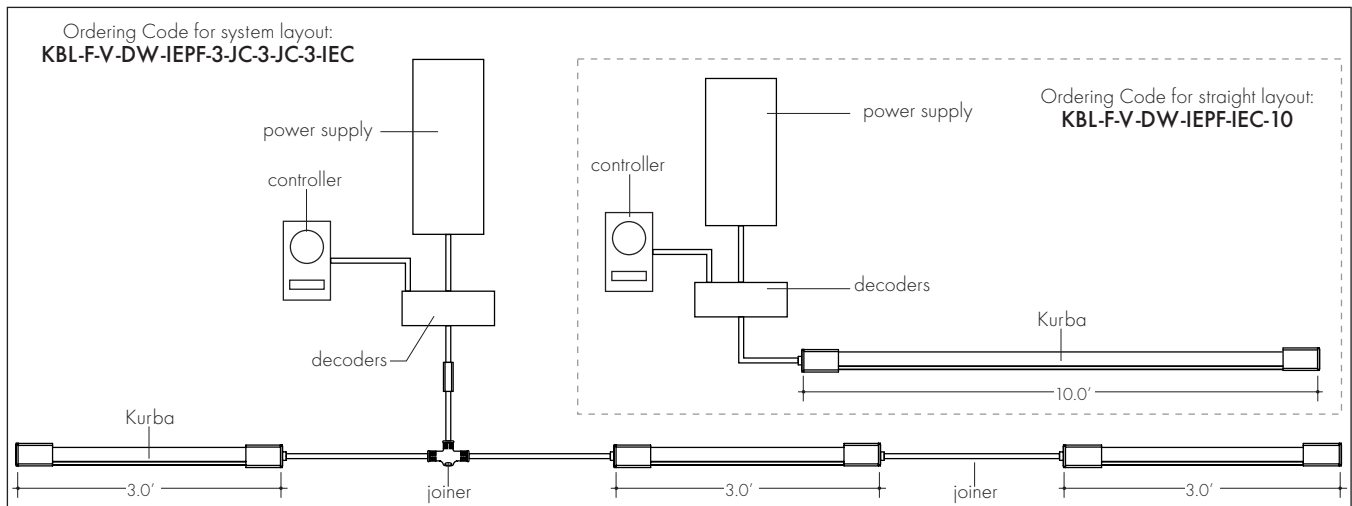


additional details on 3

Ordering code for straight run

MODEL	COLOR	SECTION START	SECTION END	LENGTH
KBL-F-V	DW	IEPF	IEC	
KBL - Kurba Large, flat vertical	DW - Dynamic White	IEPF - Injection Moulding End power feed (72" wire lead) IBPF - Injection Moulding Bottom power feed (72" wire lead) ISPF - Side power feed (72" wire lead)	IEC - Injection Moulding End cap IEPF - Injection Moulding End power feed (72" wire lead) IBPF - Injection Moulding Bottom power feed (72" wire lead) ISPF - Side power feed (72" wire lead)	view table above for ordering increment, for additional information reference page 3

Sample layout



SECTION START/END OPTIONS

Joiner (JC)

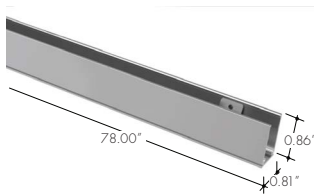


MODEL	COLOR	SECTION START	FIXTURE LENGTH	JOINER TYPE	FIXTURE LENGTH	SECTION END
KBL-F-V KBL - Kurba large, flat vertical	DW DW - Dynamic White	IEPF IEC - Injection Moulding End cap IEPF - Injection Moulding End power feed (72" wire lead) IBPF - Injection Moulding Bottom power feed (72" wire lead) ISPF - Side power feed (72" wire lead)	view table on page 1 for ordering increment	JC JC - Joiner	reference page 3 additional information	IEC IEC - Injection Moulding End cap IEPF - Injection Moulding End power feed (72" wire lead) IBPF - Injection Moulding Bottom power feed (72" wire lead) ISPF - Side power feed (72" wire lead)

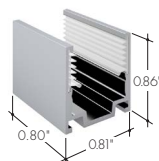
Each system run must be kept under power supply max wattage. Refer to page 4 for power supply information. Additional runs can be added to system, by continuing the same ordering code logic reference sample above.

Mounting Accessories & Optional Connectors

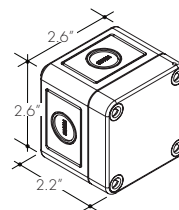
aluminum channel
Part # MC-KBL-F-V-78



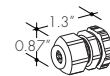
mounting bracket, recommended every 8 inches
Part # MB-KBL-F-V-ST



Splice Box: Wet rated, low voltage splice box, gray
Part # LVSP-WET



Connector: low voltage splice box wet cable management gray
Part # LVSP-WET-CM

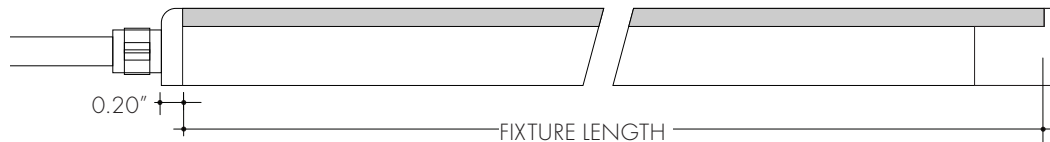


Power consumption per fixture length

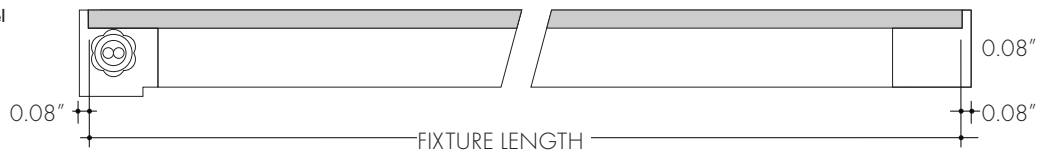
Based on operation with PSD series of power supplies.

Cut Increment (3.28")	Actual Length (in)	Total wattage	Cut Increment (3.28")	Actual Length (in)	Total wattage	Cut Increment (3.28")	Actual Length (in)	Total wattage	Cut Increment (3.28")	Actual Length (in)	Total wattage
1	3.28"	1.22	26	85.66"	24.70	51	168.04"	47.65	76 (21 FT)	250.42"	70.00
2	6.58"	2.43	27	88.95"	25.60	52	171.34"	48.60	77	253.72"	70.83
3 (1 FT)	9.87"	3.65	28 (8 FT)	92.25"	26.50	53	174.63"	49.55	78	257.01"	71.65
4	13.17"	4.34	29	95.55"	27.48	54 (15 FT)	177.93"	50.50	79	260.31"	72.48
5	16.46"	5.02	30	98.84"	28.45	55	181.22"	51.35	80 (22 FT)	263.60"	73.40
6	19.76"	5.71	31	102.14"	29.43	56	184.52"	52.20	81	266.90"	74.27
7 (2 FT)	23.05"	6.40	32 (9 FT)	105.43"	30.40	57	187.81"	53.05	82	270.19"	75.14
8	26.35"	7.56	33	108.73"	31.33	58 (16 FT)	191.11"	53.90	83 (23 FT)	273.49"	76.00
9	29.64"	8.72	34	112.02"	32.25	59	194.40"	54.77	84	276.78"	76.88
10 (3 FT)	32.94"	9.90	35	115.32"	33.18	60	197.70"	55.64	85	280.08"	77.75
11	36.23"	10.85	36 (10 FT)	118.61"	34.10	61 (17 FT)	201.00"	56.50	86	283.37"	78.62
12	39.53"	11.80	37	121.91"	35.00	62	204.29"	57.48	87 (24 FT)	286.67"	79.50
13	42.82"	12.75	38	125.20"	35.90	63	207.58"	58.45	88	289.96"	80.15
14 (4 FT)	46.12"	13.70	39 (11 FT)	128.50"	36.80	64	210.88"	59.43	89	293.26"	80.80
15	49.41"	14.60	40	131.79"	37.63	65 (18 FT)	214.17"	60.40	90	296.55"	81.45
16	52.71"	15.50	41	135.10"	38.45	66	217.47"	61.25	91 (25 FT)	299.85"	82.10
17 (5 FT)	56.00"	16.40	42	138.38"	39.28	67	220.76"	62.10	92	303.14"	82.90
18	59.30"	17.33	43 (12 FT)	141.68"	40.10	68	224.06"	62.95	93	306.44"	83.70
19	62.59"	18.25	44	144.97"	41.08	69 (19 FT)	227.35"	63.80	94	309.73"	84.50
20	65.89"	19.18	45	148.27"	42.05	70	230.65"	64.77	95 (26 FT)	313.03"	85.30
21 (6 FT)	69.18"	20.10	46	151.56"	43.03	71	233.95"	65.74			
22	72.48"	21.03	47 (13 FT)	154.86"	44.00	72 (20 FT)	237.24"	66.70			
23	75.77"	21.95	48	158.16"	44.90	73	240.54"				
24	79.07"	22.88	49	161.45"	45.80	74	243.83"				
25 (7 FT)	82.36"	23.80	50 (14 FT)	164.75"	46.70	75	247.13"				
tolerance +/- 0.25"											
Must also take into consideration endcap (reference below) for complete length											

Injection Moulding Model (End Feed)



Injection Moulding Model (Side & Bottom Feed)

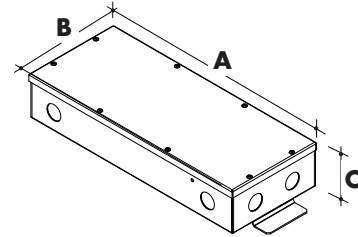


Power supply

See fixture and power supply instructions & spec sheet for wiring information. Dimming possible in select models - view Luminii website for list of compatible dimmers.

Non-Dimming Power Supply

MODEL	POWER	OUTPUT	DIMMING	LOCATION
PSV	96	24	U2ND	D
PSV - PSV Series	96 - 96 Watt	24 - 24 VDC	U2ND - Non Dimming	D - Dry Location



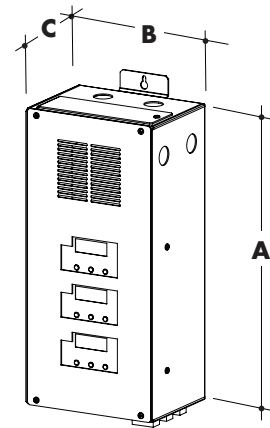
MODELS	96W
A Length	14.40"
B Width	5.20"
C Depth	2.60"

DMX:

MODEL	POWER	OUTPUT
PSDMX	96	24
PSDMX - DMX Power Supply	96 - 96 Watt 3X96 - 3 X 96Watt	24 - 24 VDC

Features eldoLED's LINEARdrive configurable dimmable drivers

MODELS	96 W	3 X 96 W
A Length	14.40"	15.75"
B Width	5.20"	6.60"
C Depth	2.60"	4.80"

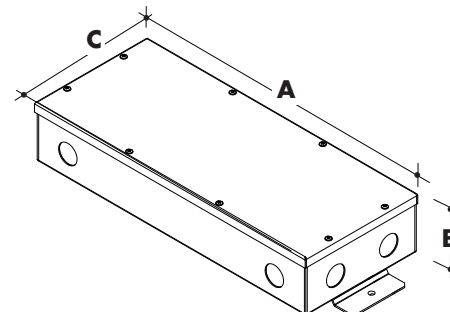


Warm Dimming via 0-10V:

MODEL	POWER	OUTPUT
PS010WD	96	24
PS010WD - 0-10 Warm dim LED Power Supply	96 - 96 Watt	24 - 24 VDC

Requires a 0-10V controller to work properly

MODELS	PS010
A Length	14.40"
B Width	2.60"
C Depth	5.20"



Power supply

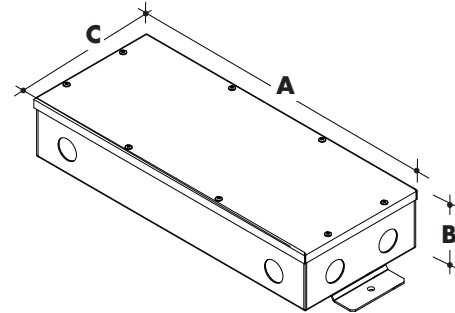
See fixture and power supply instructions & spec sheet for wiring information. Dimming possible in select models - view Luminii website for list of compatible dimmers.

Tunable White via 0-10V

MODEL	POWER	OUTPUT
PS010TW	96	24
PS010TW - 0-10 Tunable White LED Driver	96 - 96 Watt	24 - 24 VDC

Requires two 0-10V controllers to work properly

MODELS	PS010TW
A Length	14.40"
B Width	2.60"
C Depth	5.20"



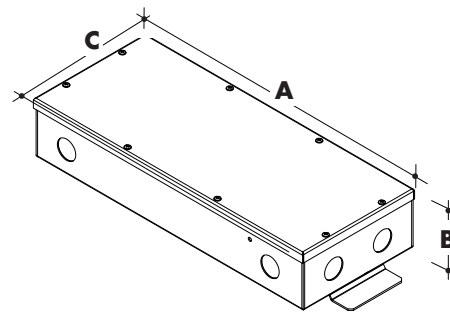
Customizable Dim to Warm or Variable White via 0 - 10V

MODEL	POWER	OUTPUT	CONTROL
PS010V	96	24	WW
PS010V - 0-10 LED Driver	96 - 96 Watt	24 - 24 VDC	

- WW - Standard One Channel - Dim To Warm Curve
- W2C - Standard Two Channel - Dim 1: Intensity; Dim 2: CCT
- W21 - Standard Two Channel - Dim 1: Warm Channel Intensity; Dim 2: Cool Channel Intensity
- W1X - Custom One Channel - Dim To Warm Curve
- W2X - Custom two Channel - Dim 1: Intensity; Dim 2: CCT

Requires a 0-10V controller to work properly

MODELS	PS010V
A Length	14.40"
B Width	2.60"
C Depth	5.20"



Controllers

DDW-MC: Dynamic White controller



ORDERING CODE

DDW-MC

DDW-MC - Dynamic white controller

Dynamic white wall-mount controller controls lighting fixtures, wireless control of DW lighting fixture. Fits in any standard US switch box. Includes all the outputs in the back of the controller.

Control brightness levels with a single touch, personalize and memorize 3 different scenes, and even create 3 variations of white.

Operating voltage
3V DC battery

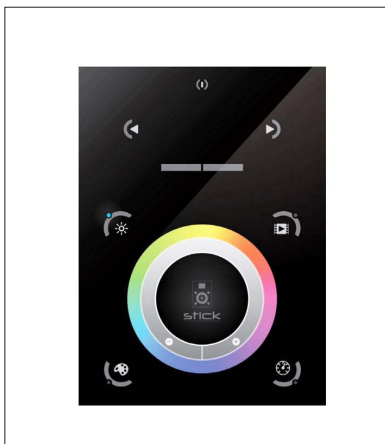
Features

- Switch and dimming control function, control range > 20M.
- Switch on/off of lighting slowly, without any flash, meet the comfort of human eyes.
- Switch from color dimming to adjust color temperature.
- Enable to control 1 zones separately, each zone can be set endless receivers, each receiver maximally be controlled by 8 different remotes.
- Enable be dimmed, switch ON/OFF and adjust color temperature by push button after connecting receivers.

Color parameters

- Brightness
- Saturation
- Fading

TSDMX-E: Touchscreen DMX controller



ORDERING CODE

TSDMX-E

TSDMX-E - Touchscreen DMX controller

Programmable advanced DMX512 lighting controller featuring a touch-screen interface. Operates as stand alone controller or integrated with most architectural lighting control systems. Can controller endless DMX512 enabled devices.

Mounts to standard single or dual gang wall box with the included power supply inside the junction box. Terminal block design for power and data connections.

Power supply
7 VDC (included)

Programmability
PC, Mac, Tablet, Smartphone

Output signal
DMX512 (1024 channels)

Color parameters

- Brightness
- Saturation
- Speed of color changing sequence
- Fading / dimming / brightness

Key Features

- Sleek glass design which sits 0.43" from the wall
- Graphical color display to show selected environment
- Color/dimmer/speed palette
- Color temperature mixing
- Touch sensitive buttons. No mechanical parts
- Touch sensitive wheel allows for accurate color selection
- Multi-zone microSD memory
- Multi-room control with 500 scenes, 10 zones
- 1024 DMX channels. Control 340 RGB fixtures
- USB & Ethernet connectivity

DMX decoder

DMX signal to RGBW decoder (required to operate DMX controller, decoder not needed if using PSDMX power supply)



ORDERING CODE

DDMX-RGBW

DDMX-RGB - DMX decoder

Translates controller DMX512 programs for RGB and white LED strips.

Unique DMX address for the decoder can be set easily and displayed by the numeric display on the case. Changing and resetting the DMX address requires manual input.

Use power repeater to expand output.

Operating voltage
12-36 VDC

Power capacity
up to 96W at 24V

Operating temperature range
from -4 °F to +122 °F in case

RGBW-RC-R

Dynamic white receiver



ORDERING CODE

RGBW-RC-R

RGBW-RC-R - Dynamic white receiver

The DDW receiver is easily paired with controller by the click of a button. Receiver can be reset to factory settings at any time.

Each receiver can store one static DW color, one color sequence, and one brightness setting for the white LED strip. Receivers assigned to the same scene within the same zone will have the same LED static color and color sequence.

Operating voltage
12-36 VDC

Power capacity
up to 96W at 24V

Operating temperature range
from -4 °F to +122 °F in case