



Features

Kurba Vertical is a direct view, small profile, energy efficient and flexible LED strip suitable for wet locations capable of vertical bends up to 2.5" radius. Built with robust factory made power feeds or joiners, Kurba Vertical mounts to a specifically designed aluminum extruded channel.

Applications

Outdoor wet location

Operating Voltage
24VDC

Operating Temperature
-4°F to 113°F (-20°C to 45°C)

Average Life
50,000 hours

Dimming

Low voltage dimmer and class 2 dimming power supply required

Approvals

Class 2 wet listed, IP67

Warranty

3 years

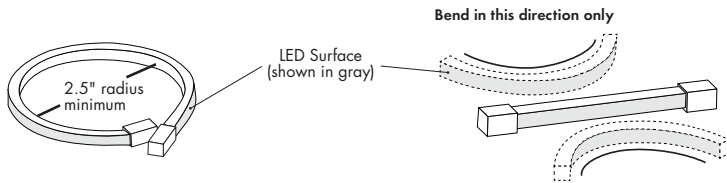
Pool and Spa Rated

Injection molded only

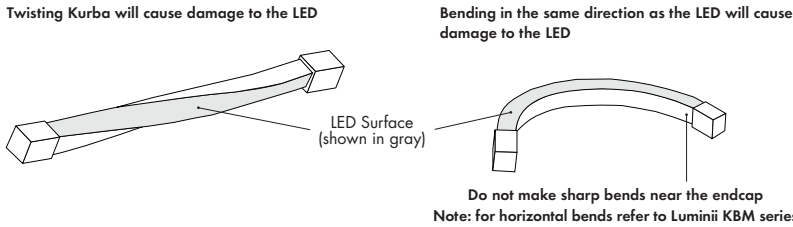


CAUTION! Reference diagram below on Can and Cannots when installing the Kurba Vertical

CAN Bend LED in these positions only to avoid damage

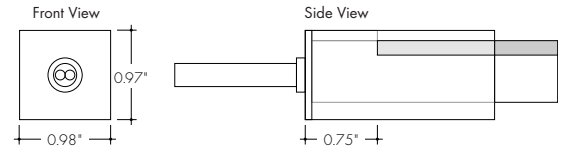


CANNOT Twisting or bending LED in these positions will cause damage to the LED

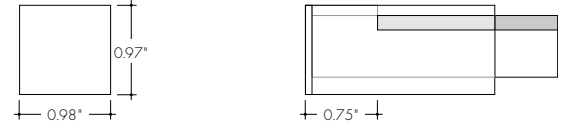


Section Start/End Power Feed Options

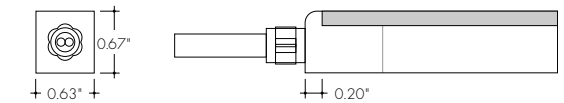
End Power Feed (EPF)



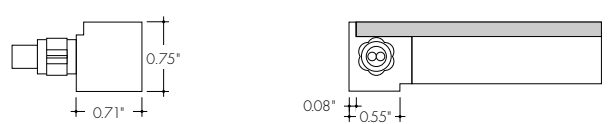
End Cap (EC)



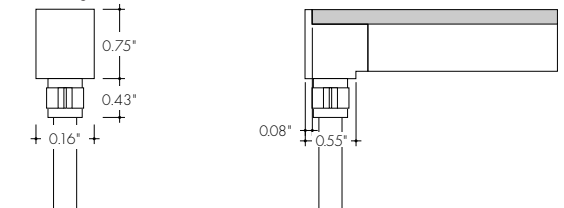
Injection Moulding End Power Feed (IEPF)



Injection Moulding Side Power Feed (ISPF)



Injection Moulding Bottom Power Feed (IBPF)



Additional details on page 3

Technical Information

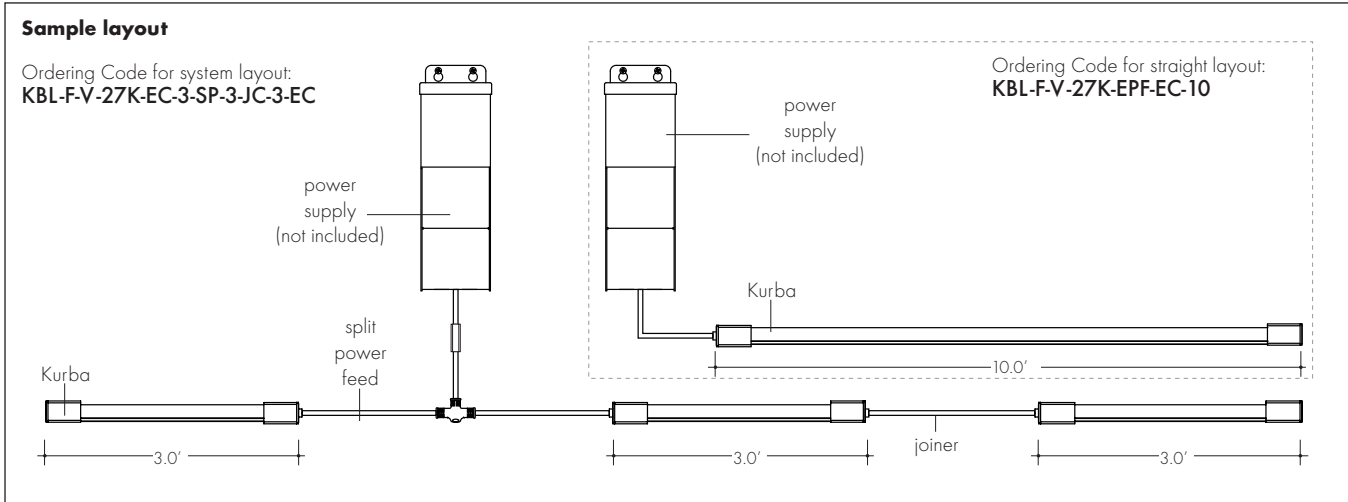
Model	KBL-XX	CCT INFO / LUMEN MULTIPLIER	
		Color Temperature	Multiplier (reference -3000K)
LEDs/ft	32	2200K	0.98
Light Output at 3000K	178 lm/ft	2400K	1.00
Average Power Consumption at 4'	3.27 W/ft	2700K	1.01
Ordering Increment	2.19"	3000K	1.00
Maximum Run Length (In Series)	25'	3500K	1.08
		4000K	1.04

Ordering Code

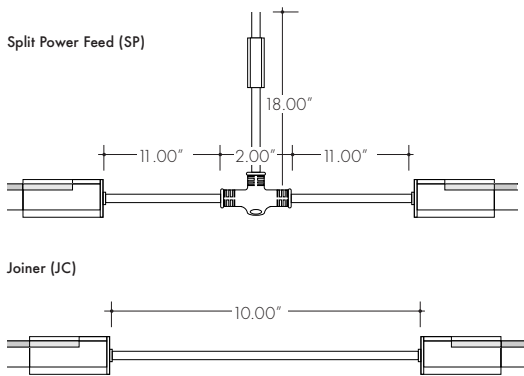
MODEL	CCT	SECTION START	SECTION END	LENGTH
KBL-F-V	22K	EPF	EC	
KBL-F-V - Kurba Large, flat vertical	22K - 2200K 24K - 2400K 27K - 2700K 30K - 3000K 35K - 3500K 40K - 4000K	EPF - End power feed (9' wire lead) EC - End cap IEPF* - Injection Moulding End power feed (9' wire lead) IBPF* - Injection Moulding Bottom power feed (9' wire lead) ISPF* - Injection Moulding Side power feed (9' wire lead) IEC* - Injection Moulding End cap	EPF - End power feed (9' wire lead) EC - End cap IEPF* - Injection Moulding End power feed (9' wire lead) IBPF* - Injection Moulding Bottom power feed (9' wire lead) ISPF* - Injection Moulding Side power feed (9' wire lead) IEC* - Injection Moulding End cap	view table above for ordering increment, for additional information reference page 3

*4-8 week lead time, depending on length of the order

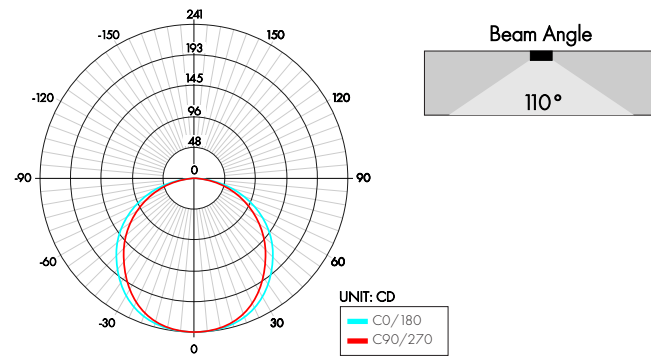
Kurba System Run



Section Start/End Options



Candle Power Distribution (41K)



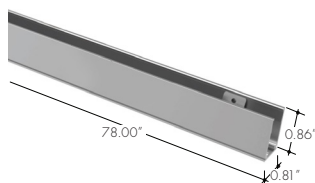
Ordering Code for System Run

MODEL	CCT	SECTION START	FIXTURE LENGTH	JOINER TYPE	FIXTURE LENGTH	SECTION END
KBL-F-V	22K	EPF		SP		EC
KBL-F-V - Kurba Large, flat vertical	22K - 2200K 24K - 2400K 27K - 2700K 30K - 3000K 35K - 3500K 40K - 4000K	EC - End Cap EPF - End Power Feed (72" wire lead) IEC* - Injection Moulding End Cap	View table on page 1 for increment options and maximum run limits	SP - Split Power Feed JC - Joiner	Reference page 3 for actual measurements	EC - End Cap EPF - End Power Feed (72" wire lead) IEC - Injection Moulding End Cap

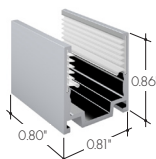
*4-8 week lead time, depending on length of the order.
Each system run must be kept under power supply max wattage. Refer to page 4 for power supply information.
Additional runs can be added to system, by continuing the same ordering code logic reference sample above.

Mounting Accessories & Optional Connectors

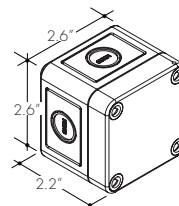
aluminum channel,
IK08 rated, when aluminum channel used throughout the complete installation.
Part # MC-KBL-F-V-78



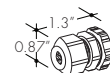
mounting bracket,
recommended every 8 inches
Part # MB-KBL-F-V-ST



Splice Box: Wet rated, low voltage splice box, gray
Part # LVSP-WET



Connector: low voltage splice box wet cable management gray
Part # LVSP-WET-CM

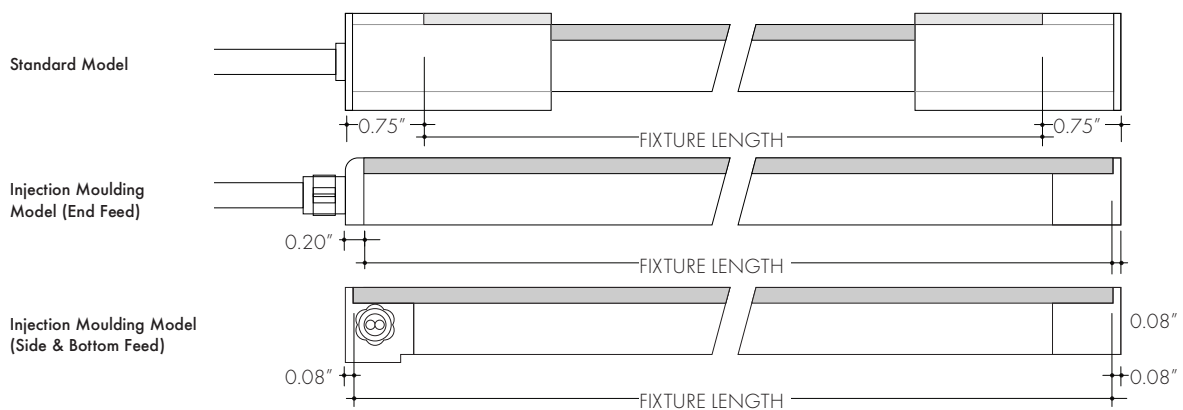


Power Consumption Per Fixture Length

Based on operation with PSD series of power supplies.

Cut Increment (2.19")	Actual Length (in)	Total wattage	Cut Increment (2.19")	Actual Length (in)	Total wattage	Cut Increment (2.19")	Actual Length (in)	Total wattage	Cut Increment (2.19")	Actual Length (in)	Total wattage
1	2.19"	0.68	36	78.74"	22.02	71 (13 FT)	155.29	43.10	106	231.84"	64.63
2	4.37"	1.36	37	80.93"	22.56	72	157.48"	43.86	107	234.03"	65.28
3	6.56"	2.04	38 (7 FT)	83.11"	23.10	73	159.67"	44.62	108	236.22"	65.94
4	8.75"	2.72	39	85.31"	23.84	74	161.85"	45.38	109 (20 FT)	238.40"	66.60
5 (1 FT)	10.94"	3.40	40	87.49"	24.58	75	164.04"	46.14	110	240.60"	67.10
6	13.12"	4.00	41	89.68"	25.32	76 (14 FT)	166.23"	46.90	111	242.78"	67.60
7	15.31"	4.60	42	91.86"	26.06	77	168.41"	47.38	112	244.97"	68.10
8	17.45"	5.20	43 (8 FT)	94.05"	26.80	78	170.60"	47.86	113	247.15"	68.60
9	19.68"	5.80	44	96.24"	27.28	79	172.79"	48.34	114	249.34"	69.10
10 (2 FT)	21.87"	6.40	45	98.42"	27.76	80	174.98"	48.82	115 (21 FT)	251.53"	69.60
11	24.06"	6.90	46	100.61"	28.24	81	177.16"	49.30	116	253.72"	70.32
12	26.25"	7.40	47	102.80"	28.72	82 (15 FT)	179.35"	49.80	117	255.90"	71.04
13	28.43"	7.90	48	104.99"	29.20	83	181.54"	50.52	118	258.09"	71.76
14	30.62"	8.40	49 (9 FT)	107.17"	29.70	84	183.72"	51.24	119	260.28"	72.48
15	32.80"	8.90	50	109.36"	30.14	85	185.91"	51.96	120 (22 FT)	262.46"	73.20
16 (3 FT)	35.00"	9.40	51	111.55"	30.88	86	188.10"	52.68	121	264.65"	73.66
17	37.18"	10.16	52	113.73"	31.62	87 (16 FT)	190.29"	53.40	122	266.84"	74.12
18	39.37"	10.92	53	115.92"	32.36	88	192.47"	54.04	123	269.03"	74.88
19	41.56"	11.68	54 (10 FT)	118.11"	33.40	89	194.66"	54.68	124	271.21"	75.33
20	43.74"	12.44	55	120.30"	33.75	90	196.85"	55.32	125	273.40"	75.79
21 (4 FT)	45.93"	13.20	56	122.48"	34.10	91	199.03"	55.96	126 (23 FT)	275.59"	76.00
22	48.12"	13.70	57	124.67"	34.45	92	201.22"	56.60	127	277.77"	76.70
23	50.31"	14.20	58	126.86"	34.80	93 (17 FT)	203.41"	56.60	128	279.96"	77.40
24	52.49"	14.70	59	129.05"	35.15	94	205.60"	57.32	129	282.15"	78.10
25	54.68"	15.20	60 (11 FT)	131.23"	35.50	95	207.78"	58.04	130	284.37"	78.80
26	56.87"	15.70	61	133.42"	36.42	96	209.97"	58.76	131 (24 FT)	286.52"	79.50
27 (5 FT)	59.05"	16.20	62	135.61"	37.34	97	212.16"	59.48	132	288.71"	80.01
28	61.24"	16.94	63	137.79"	38.28	98 (18 FT)	214.35"	60.20	133	290.90"	80.52
29	63.43"	17.68	64	139.98"	39.20	99	216.53"	60.72	134	293.08"	81.03
30	65.62"	18.42	65 (12 FT)	142.17"	40.10	100	218.72"	61.24	135	295.27"	81.54
31	67.80"	19.16	66	144.36"	40.60	101	220.91"	61.76	136	297.46"	82.05
32 (6 FT)	69.99"	19.90	67	146.54"	41.10	102	223.09"	62.28	137 (25 FT)	299.65"	82.60
33	72.18"	20.43	68	148.73"	41.60	103	225.28"	62.80			
34	74.36"	20.96	69	150.92"	42.10	104 (19 FT)	227.47"	63.30			
35	76.55"	21.49	70	153.10"	42.60	105	229.66"	63.96			
tolerance +/- 0.25"											

Must also take into consideration endcap (reference below) for complete length



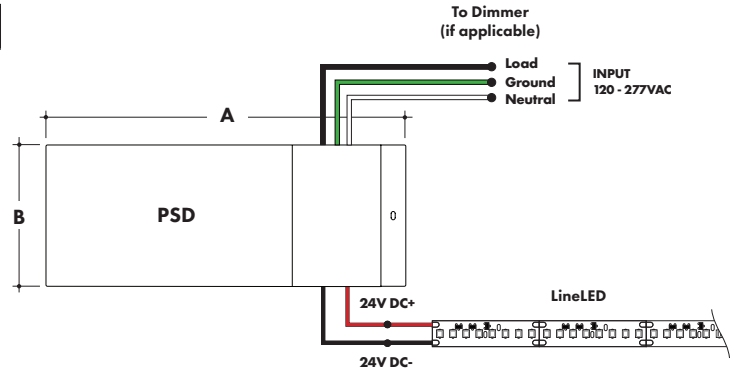
Power Supply

See fixture and power supply instructions & spec sheet for wiring information. Dimming possible in select models - view Luminii website for list of compatible dimmers.

Magnetic Low Voltage Dimming Power Supplies

MODEL	POWER	OUTPUT	INPUT
PSD	48	24	
PSD - PSD Series dims down to 0%	48 - 48 Watt 96 - 96 Watt 288 - 288 Watt (3 x 96Watt)	24 - 24 VDC	Blank - 120 V 240 - 240 V 277 - 277 V

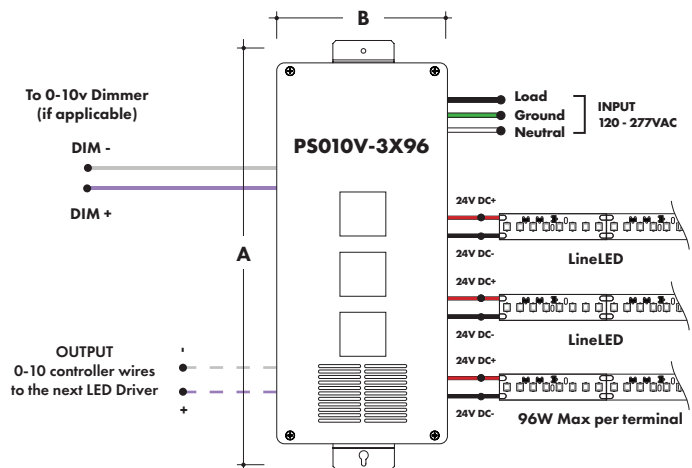
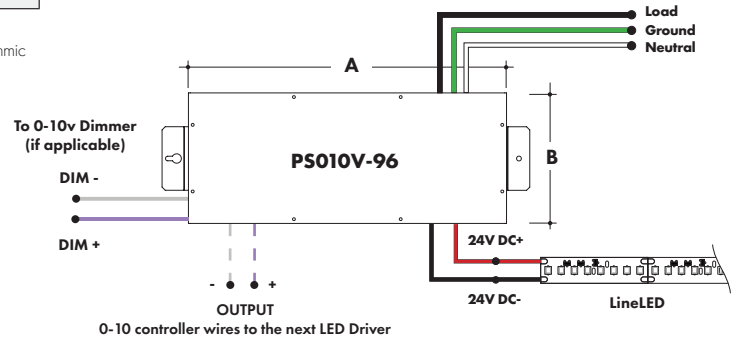
MODELS	PSD 48	PSD 96	PSD 288
A Length	11.25"	11.25"	13.06"
B Width	3.42"	3.42"	8.42"
Depth	3.42"	3.27"	4.47"



0-10V Dimming Power Supplies

MODEL	POWER	OUTPUT	DIMMING
PS010V	96	24	LIN
PS010V - 0-10V Power Supply dims down to 0%	96 - 96 Watt 3X96 - 3 X 96 Watt	24 - 24 VDC	LIN - Linear LOG - Logarithmic

MODELS	96W	3X96
A Length	14.40"	15.75"
B Width	5.20"	6.62"
Depth	2.60"	4.95"



Power Supply

See fixture and power supply instructions & spec sheet for wiring information. Dimming possible in select models - view Luminii website for list of compatible dimmers.

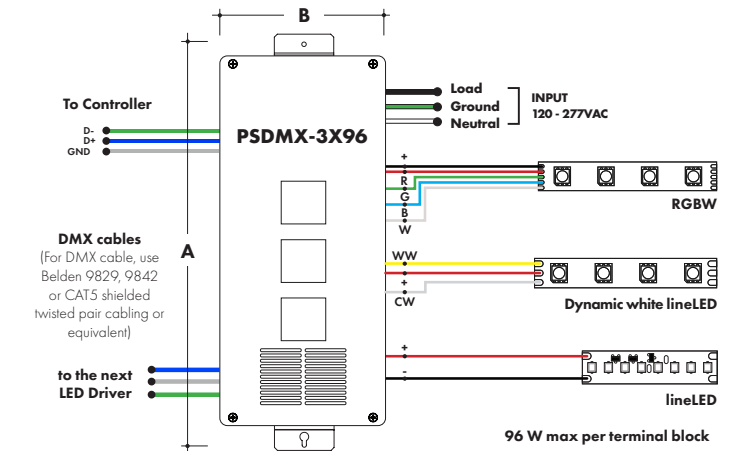
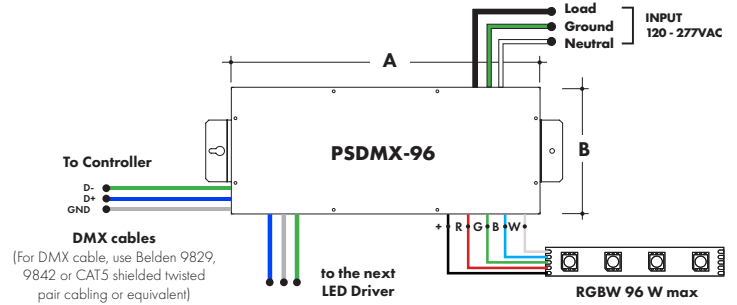
DMX Dimming Power Supplies

MODEL	POWER	OUTPUT
PSDMX	96	24

PSDMX - DMX Power Supply 96 - 96 Watt 24 - 24 VDC
 3X96 - 3 X 96 Watt

Features eldoLED's LINEARdrive configurable dimmable drivers

MODELS	96W	3X96
A Length	14.40"	15.75"
B Width	5.20"	6.62"
Depth	2.60"	4.95"



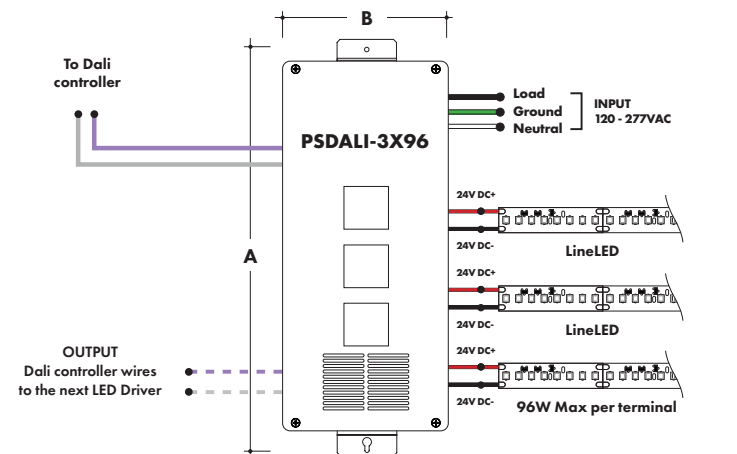
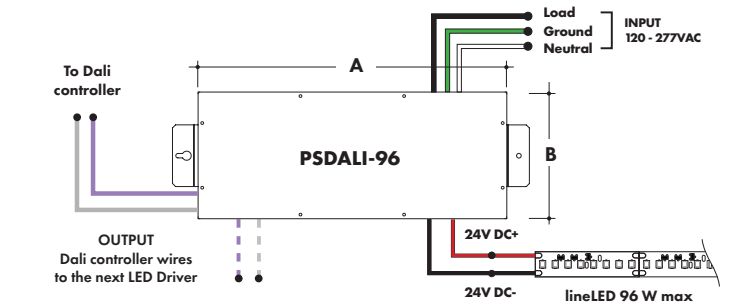
DALI Dimming Power Supplies

MODEL	POWER	OUTPUT
PSDALI	96	24

PSDALI - DALI Power Supply 96 - 96 Watt 24 - 24 VDC
 dims down to 0% 3X96 - 3 X 96 Watt

Features eldoLED's LINEARdrive configurable dimmable drivers

MODELS	96W	3X96
A Length	14.40"	15.75"
B Width	5.20"	6.62"
Depth	2.60"	4.95"



Power Supply

See fixture and power supply instructions & spec sheet for wiring information. Dimming possible in select models - view Luminii website for list of compatible dimmers.

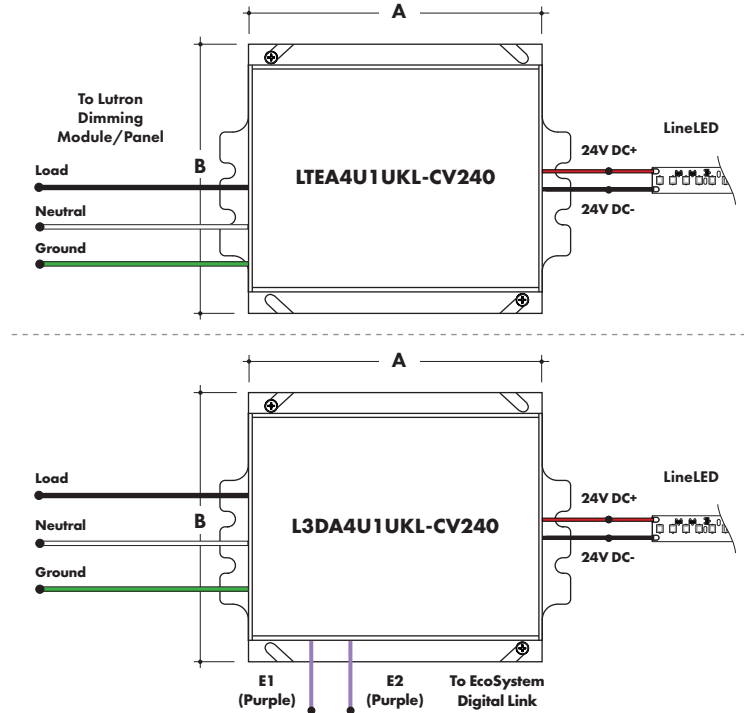


Luminii is a Lutron OEM Advantage Partner

MODEL	MODEL
LTEA4U1UKL-CV240	L3DA4U1UKL-CV240

Lutron - HiLume™ 1% 2-wire LED Driver (120V forward phase only) HiLume™ 1% EcoSystem Voltage LED driver

MODELS	LTEA41UKL-CV240	L3DA4U1UKL-CV240
A Length	4.89"	4.98"
B Width	4.00"	4.00"
Depth	2.62"	2.62"

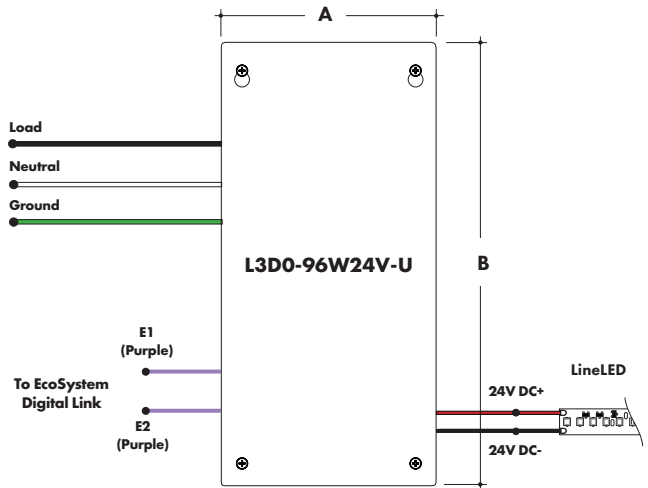


Luminii is a Lutron OEM Advantage Partner

MODEL
L3D0-96W24V-U

HiLume™ 0.1% EcoSystem Voltage LED Driver with Soft-On, Fade-to-Black™

MODELS	L3D0
A Length	10.50"
B Width	5.50"
Depth	2.00"

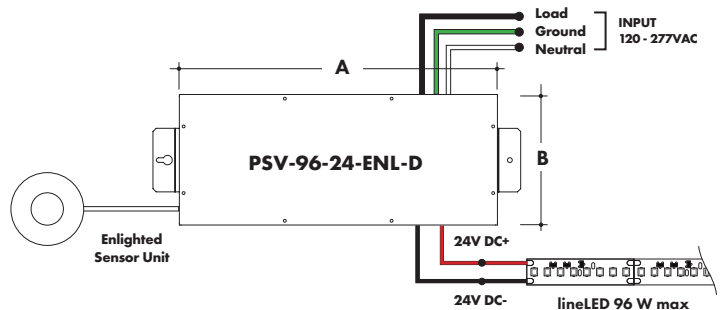


Enlighted Enabled Dimming Power Supplies:

MODEL	POWER	OUTPUT	DIMMING	LOCATION
PSV	96	24	ENL	D

PSV - PSV Series 96 - 96 Watt 24 - 24 VDC ENL - Enlighted Dimming D - Damp

MODELS	96 W
A Length	14.40"
B Width	5.20"
Depth	2.60"



Power Supply

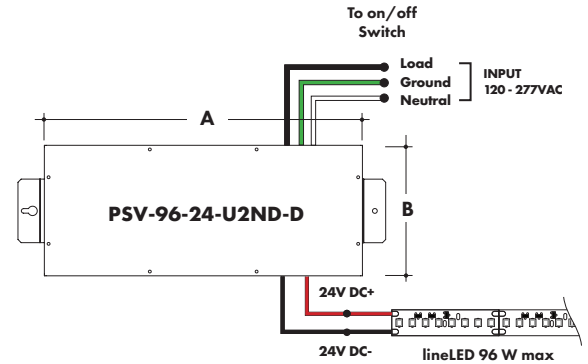
See fixture and power supply instructions & spec sheet for wiring information. Dimming possible in select models - view Luminii website for list of compatible dimmers.

Non-Dimming Power Supply

MODEL	POWER	OUTPUT	DIMMING	LOCATION
PSV	96	24	U2ND	D

PSV - PSV Series 96 - 96 Watt 24 - 24 VDC U2ND - Non Dimming D - Damp

MODELS	96W
A Length	14.40"
B Width	5.20"
Depth	2.60"

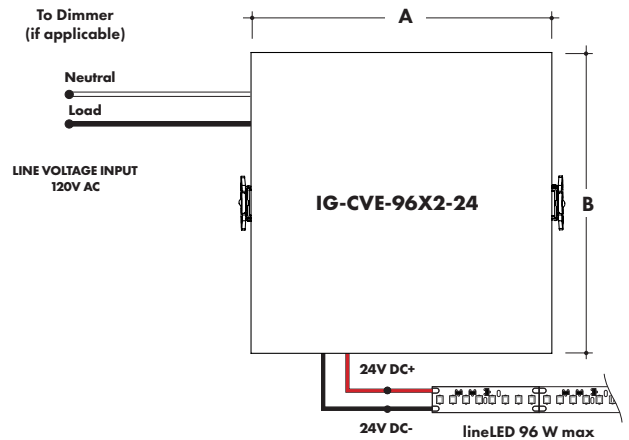


In ground, Electronic Low Voltage Dimming Power Supplies

MODEL	POWER	OUTPUT	INPUT
IG	CVE	96X2	24

IG - In ground CVE Series CVE - ELV Dimming DALI - eidoLED Dali dimming Both dims down to 0.1% 96X2 - 2 X 96 Watt 24 - 24 VDC Blank - 120 V 277 - 240/277 V

MODELS	Dual Circuit
A Length	8.40"
B Width	8.30"
Depth	8.10"

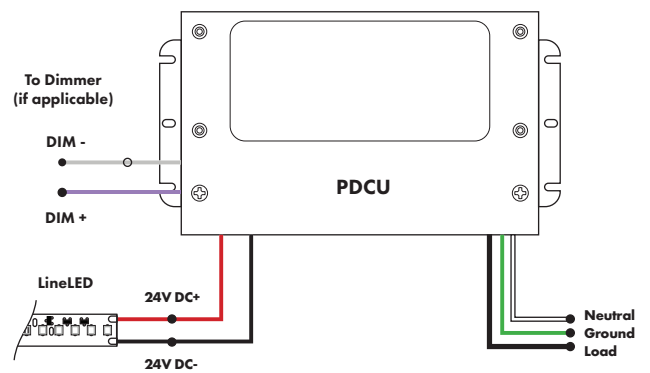


Universal Power Supply

MODEL	POWER	OUTPUT
PDCU	30	24

PDCU - PDCU Series 30 - 30 Watt 24 - 24 VDC
 PDCUe - PDCUe Series 60 - 60 Watt 96 - 96 Watt 3X96 - 3x96 Watt

- 0-10V - 1% dimming
- MLV/ELV/TRIAC - 1% dimming



MODELS	PDCU 30W	PDCUe 30W	PDCU 60W	PDCUe 60W	PDCU 96W	PDCUe 96W	PDCU 3X96W	PDCUe 3X96W
A Length	6.50"	6.10"	7.40"	7.93"	8.66"	8.25"	11.85"	1.85"
B Width	3.73"	3.35"	3.73"	3.35"	3.73"	4.10"	4.32"	4.32"
Depth	1.61"	1.33"	1.61"	1.32"	1.61"	1.56"	1.81"	1.81"