



Kurba Horizontal Dynamic White is a direct view, small profile, energy efficient and flexible LED strip suitable for wet locations capable of horizontal bends up to 2.5" radius. Built with robust factory made power feeds or joiners, Kurba Horizontal Dynamic White mounts to a specifically designed aluminum extruded channel.

**Operating voltage**  
24 VDC

**Operating temperature**  
-4°F to 113°F  
(-20°C to 45°C)

**Average life**  
50,000 hours

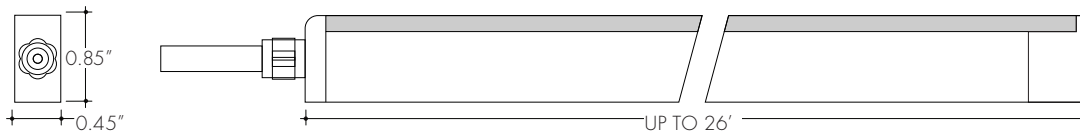
**Approvals**  
Class 2 wet listed, IP67

**Warranty**  
3 years

**Applications:**  
Outdoor wet location



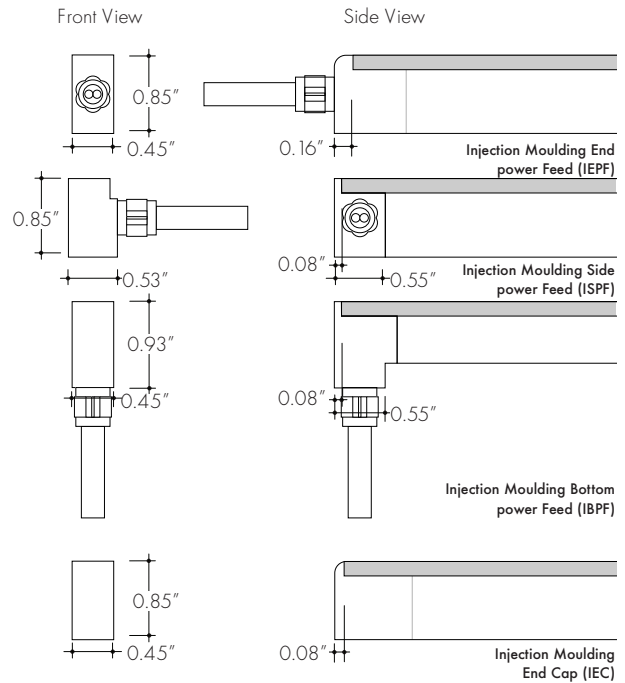
Kurba dimensions



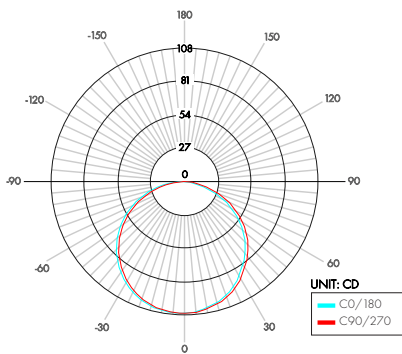
Technical information

| MODEL                           | Dynamic White    |
|---------------------------------|------------------|
| LEDS/ft                         | 44               |
| Light output                    | 19K: 34 lm/ft    |
|                                 | 27K: 34 lm/ft    |
|                                 | All on: 68 lm/ft |
| Average power consumption at 4' | 3.65 W/ft        |
| Ordering increment              | 3.28"            |
| Maximum run length (in series)  | 26 ft            |

Section Start/End Powerfeed option



Candle Power Distribution



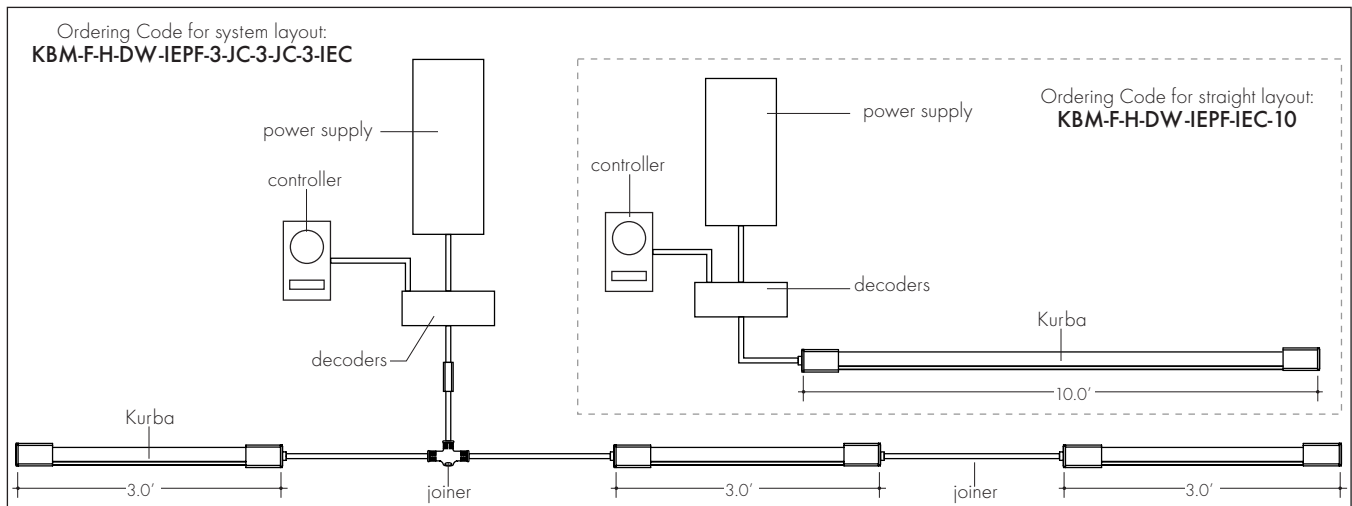
additional details on 3

Ordering code for straight run

| MODEL                               | COLOR              | SECTION START   | SECTION END   | LENGTH   |
|-------------------------------------|--------------------|---|---|--|
| KBM-F-H                             | DW                 | IEPF  | IEC   |  |
| KBM - Kurba medium, flat horizontal | DW - Dynamic White | IEPF - Injection Moulding End power feed (72" wire lead)<br>IBPF - Injection Moulding Bottom power feed (72" wire lead)<br>ISPF - Side power feed (72" wire lead) | IEC - Injection Moulding End cap<br>IEPF - Injection Moulding End power feed (72" wire lead)<br>IBPF - Injection Moulding Bottom power feed (72" wire lead)<br>ISPF - Side power feed (72" wire lead) | view table above for ordering increment, for additional information reference page 3 |

## Kurba System Run

### Sample layout



### SECTION START/END OPTIONS

Joiner (JC)



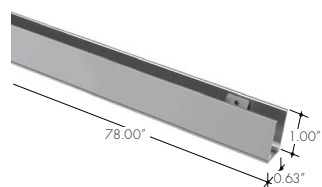
## Ordering code for system run

| MODEL   | COLOR                           | SECTION START   | FIXTURE LENGTH                              | JOINER TYPE | FIXTURE LENGTH                          | SECTION END   |
|---|---------------------------------|---|---|-------------|---|---|
| <b>KBM-F-H</b><br>KBM - Kurba medium, flat horizontal | <b>DW</b><br>DW - Dynamic White | <b>IEPF</b>   |   | <b>JC</b>   |   | <b>IEC</b>  |
|   |                                 | IEC - Injection Moulding End cap<br>IEPF - Injection Moulding End power feed (72" wire lead)<br>IBPF - Injection Moulding Bottom power feed (72" wire lead)<br>ISPF - Side power feed (72" wire lead) | view table on page 1 for ordering increment | JC - Joiner | reference page 3 additional information | IEC - Injection Moulding End cap<br>IEPF - Injection Moulding End power feed (72" wire lead)<br>IBPF - Injection Moulding Bottom power feed (72" wire lead)<br>ISPF - Side power feed (72" wire lead) |

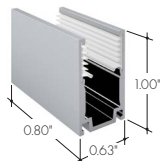
Each system run must be kept under power supply max wattage. Refer to page 4 for power supply information. Additional runs can be added to system, by continuing the same ordering code logic reference sample above.

## Mounting Accessories & Optional Connectors

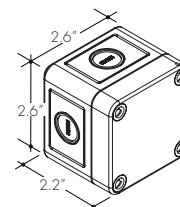
aluminum channel  
Part # MC-KBM-F-H-78



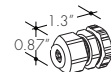
mounting bracket,  
recommended every 8 inches  
Part # MB-KBM-F-H-ST



Splice Box: Wet rated, low voltage splice box, gray  
Part # LVSP-WET



Connector: Low voltage splice box wet cable management gray  
Part # LVSP-WET-CM

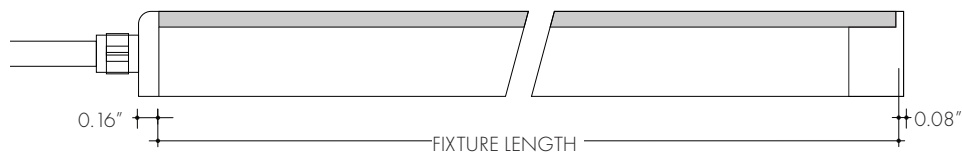


### Power consumption per fixture length

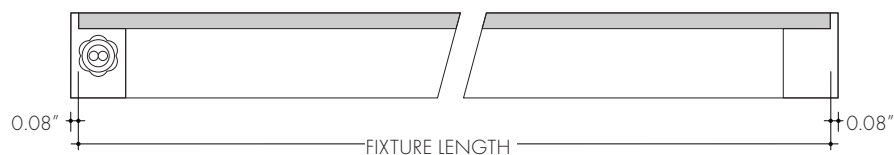
Based on operation with PSD series of power supplies.

| Cut Increment (3.28")   | Actual Length (in) | Total wattage | Cut Increment (3.28") | Actual Length (in) | Total wattage | Cut Increment (3.28") | Actual Length (in) | Total wattage | Cut Increment (3.28") | Actual Length (in) | Total wattage |
|---|--------------------|---------------|-----------------------|--------------------|---------------|-----------------------|--------------------|---------------|-----------------------|--------------------|---------------|
| 1   | 3.28"              | 1.22          | 26                    | 85.66"             | 24.70         | 51                    | 168.04"            | 47.65         | 76 (21 FT)            | 250.42"            | 70.00         |
| 2   | 6.58"              | 2.43          | 27                    | 88.95"             | 25.60         | 52                    | 171.34"            | 48.60         | 77                    | 253.72"            | 70.83         |
| 3 (1 FT)  | 9.87"              | 3.65          | 28 (8 FT)             | 92.25"             | 26.50         | 53                    | 174.63"            | 49.55         | 78                    | 257.01"            | 71.65         |
| 4   | 13.17"             | 4.34          | 29                    | 95.55"             | 27.48         | 54 (15 FT)            | 177.93"            | 50.50         | 79                    | 260.31"            | 72.48         |
| 5   | 16.46"             | 5.02          | 30                    | 98.84"             | 28.45         | 55                    | 181.22"            | 51.35         | 80 (22 FT)            | 263.60"            | 73.40         |
| 6   | 19.76"             | 5.71          | 31                    | 102.14"            | 29.43         | 56                    | 184.52"            | 52.20         | 81                    | 266.90"            | 74.27         |
| 7 (2 FT)  | 23.05"             | 6.40          | 32 (9 FT)             | 105.43"            | 30.40         | 57                    | 187.81"            | 53.05         | 82                    | 270.19"            | 75.14         |
| 8   | 26.35"             | 7.56          | 33                    | 108.73"            | 31.33         | 58 (16 FT)            | 191.11"            | 53.90         | 83 (23 FT)            | 273.49"            | 76.00         |
| 9   | 29.64"             | 8.72          | 34                    | 112.02"            | 32.25         | 59                    | 194.40"            | 54.77         | 84                    | 276.78"            | 76.88         |
| 10 (3 FT)   | 32.94"             | 9.90          | 35                    | 115.32"            | 33.18         | 60                    | 197.70"            | 55.64         | 85                    | 280.08"            | 77.75         |
| 11  | 36.23"             | 10.85         | 36 (10 FT)            | 118.61"            | 34.10         | 61 (17 FT)            | 201.00"            | 56.50         | 86                    | 283.37"            | 78.62         |
| 12  | 39.53"             | 11.80         | 37                    | 121.91"            | 35.00         | 62                    | 204.29"            | 57.48         | 87 (24 FT)            | 286.67"            | 79.50         |
| 13  | 42.82"             | 12.75         | 38                    | 125.20"            | 35.90         | 63                    | 207.58"            | 58.45         | 88                    | 289.96"            | 80.15         |
| 14 (4 FT)   | 46.12"             | 13.70         | 39 (11 FT)            | 128.50"            | 36.80         | 64                    | 210.88"            | 59.43         | 89                    | 293.26"            | 80.80         |
| 15  | 49.41"             | 14.60         | 40                    | 131.79"            | 37.63         | 65 (18 FT)            | 214.17"            | 60.40         | 90                    | 296.55"            | 81.45         |
| 16  | 52.71"             | 15.50         | 41                    | 135.10"            | 38.45         | 66                    | 217.47"            | 61.25         | 91 (25 FT)            | 299.85"            | 82.10         |
| 17 (5 FT)   | 56.00"             | 16.40         | 42                    | 138.38"            | 39.28         | 67                    | 220.76"            | 62.10         | 92                    | 303.14"            | 82.90         |
| 18  | 59.30"             | 17.33         | 43 (12 FT)            | 141.68"            | 40.10         | 68                    | 224.06"            | 62.95         | 93                    | 306.44"            | 83.70         |
| 19  | 62.59"             | 18.25         | 44                    | 144.97"            | 41.08         | 69 (19 FT)            | 227.35"            | 63.80         | 94                    | 309.73"            | 84.50         |
| 20  | 65.89"             | 19.18         | 45                    | 148.27"            | 42.05         | 70                    | 230.65"            | 64.77         | 95 (26 FT)            | 313.03"            | 85.30         |
| 21 (6 FT)   | 69.18"             | 20.10         | 46                    | 151.56"            | 43.03         | 71                    | 233.95"            | 65.74         |                       |                    |               |
| 22  | 72.48"             | 21.03         | 47 (13 FT)            | 154.86"            | 44.00         | 72 (20 FT)            | 237.24"            | 66.70         |                       |                    |               |
| 23  | 75.77"             | 21.95         | 48                    | 158.16"            | 44.90         | 73                    | 240.54"            |               |                       |                    |               |
| 24  | 79.07"             | 22.88         | 49                    | 161.45"            | 45.80         | 74                    | 243.83"            |               |                       |                    |               |
| 25 (7 FT)   | 82.36"             | 23.80         | 50 (14 FT)            | 164.75"            | 46.70         | 75                    | 247.13"            |               |                       |                    |               |
| <b>tolerance +/- 0.25"</b>  |                    |               |                       |                    |               |                       |                    |               |                       |                    |               |
| <b>Must also take into consideration endcap (reference below) for complete length</b> |                    |               |                       |                    |               |                       |                    |               |                       |                    |               |

Injection Moulding Model (End feed)



Injection Moulding Model (Side & Bottom feed)

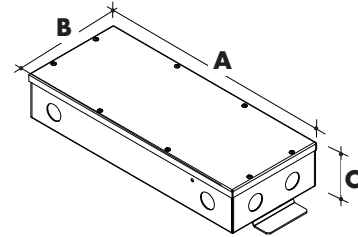


Power supply

See fixture and power supply instructions & spec sheet for wiring information. Dimming possible in select models - view Luminii website for list of compatible dimmers.

Non-Dimming Power Supply

| MODEL            | POWER        | OUTPUT      | DIMMING            | LOCATION         |
|------------------|--------------|-------------|--------------------|------------------|
| <b>PSV</b>       | <b>96</b>    | <b>24</b>   | <b>U2ND</b>        | <b>D</b>         |
| PSV - PSV Series | 96 - 96 Watt | 24 - 24 VDC | U2ND - Non Dimming | D - Dry Location |



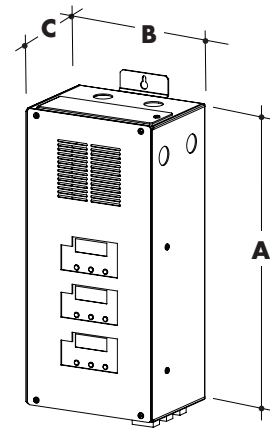
| MODELS          | 96W    |
|-----------------|--------|
| <b>A Length</b> | 14.40" |
| <b>B Width</b>  | 5.20"  |
| <b>C Depth</b>  | 2.60"  |

DMX:

| MODEL                    | POWER                             | OUTPUT      |
|--------------------------|-----------------------------------|-------------|
| <b>PSDMX</b>             | <b>96</b>                         | <b>24</b>   |
| PSDMX - DMX Power Supply | 96 - 96 Watt<br>3X96 - 3 X 96Watt | 24 - 24 VDC |

Features eldoLED's LINEARdrive configurable dimmable drivers

| MODELS          | 96 W   | 3 X 96 W |
|-----------------|--------|----------|
| <b>A Length</b> | 14.40" | 15.75"   |
| <b>B Width</b>  | 5.20"  | 6.60"    |
| <b>C Depth</b>  | 2.60"  | 4.80"    |

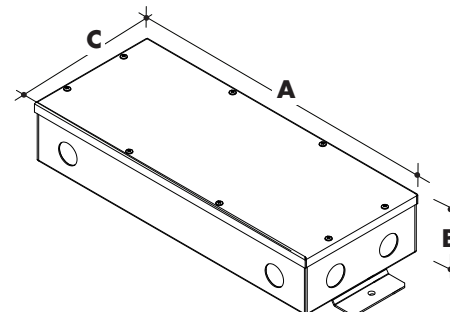


Warm Dimming via 0-10V:

| MODEL                                    | POWER        | OUTPUT      |
|--|--------------|-------------|
| <b>PS010WD</b>                           | <b>96</b>    | <b>24</b>   |
| PS010WD - 0-10 Warm dim LED Power Supply | 96 - 96 Watt | 24 - 24 VDC |

Requires a 0-10V controller to work properly

| MODELS          | PS010  |
|-----------------|--------|
| <b>A Length</b> | 14.40" |
| <b>B Width</b>  | 2.60"  |
| <b>C Depth</b>  | 5.20"  |



Power supply

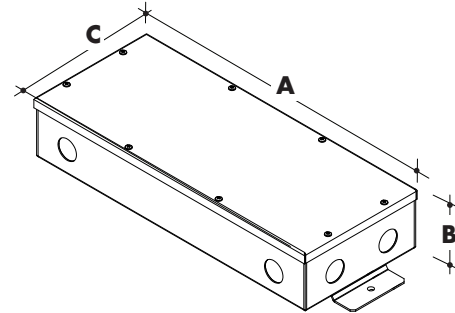
See fixture and power supply instructions & spec sheet for wiring information. Dimming possible in select models - view Luminii website for list of compatible dimmers.

Tunable White via 0-10V

| MODEL                                   | POWER        | OUTPUT      |
|---|--------------|-------------|
| <b>PS010TW</b>                          | <b>96</b>    | <b>24</b>   |
| PS010TW - 0-10 Tunable White LED Driver | 96 - 96 Watt | 24 - 24 VDC |

Requires two 0-10V controllers to work properly

| MODELS          | PS010TW |
|-----------------|---------|
| <b>A Length</b> | 14.40"  |
| <b>B Width</b>  | 2.60"   |
| <b>C Depth</b>  | 5.20"   |



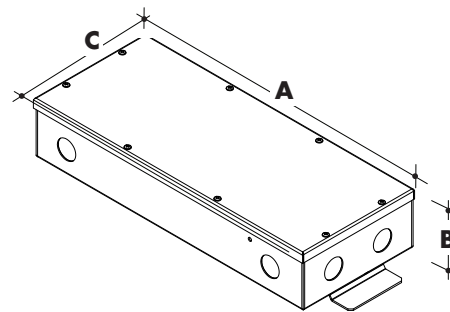
Customizable Dim to Warm or Variable White via 0 - 10V

| MODEL                    | POWER        | OUTPUT      | CONTROL   |
|--------------------------|--------------|-------------|-----------|
| <b>PS010V</b>            | <b>96</b>    | <b>24</b>   | <b>WW</b> |
| PS010V - 0-10 LED Driver | 96 - 96 Watt | 24 - 24 VDC |           |

- WW - Standard One Channel - Dim To Warm Curve
- W2C - Standard Two Channel - Dim 1: Intensity; Dim 2: CCT
- W21 - Standard Two Channel - Dim 1: Warm Channel Intensity; Dim 2: Cool Channel Intensity
- W1X - Custom One Channel - Dim To Warm Curve
- W2X - Custom two Channel - Dim 1: Intensity; Dim 2: CCT

Requires a 0-10V controller to work properly

| MODELS          | PS010V |
|-----------------|--------|
| <b>A Length</b> | 14.40" |
| <b>B Width</b>  | 2.60"  |
| <b>C Depth</b>  | 5.20"  |



## Controllers

### DDW-MC: Dynamic White controller



#### ORDERING CODE

**DDW-MC**

DDW-MC - Dynamic white controller

Dynamic white wall-mount controller controls lighting fixtures, wireless control of DW lighting fixture. Fits in any standard US switch box. Includes all the outputs in the back of the controller.

Control brightness levels with a single touch, personalize and memorize 3 different scenes, and even create 3 variations of white.

#### Operating voltage

3V DC battery

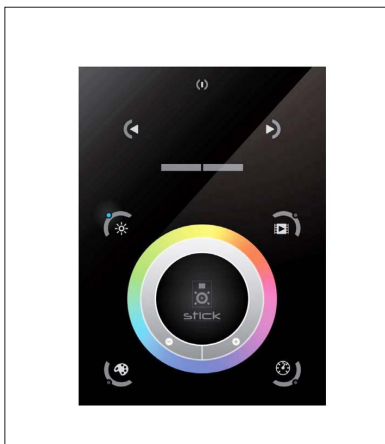
#### Features

- Switch and dimming control function, control range > 20M.
- Switch on/off of lighting slowly, without any flash, meet the comfort of human eyes.
- Switch from color dimming to adjust color temperature.
- Enable to control 1 zones separately, each zone can be set endless receivers, each receiver maximally be controlled by 8 different remotes.
- Enable be dimmed, switch ON/OFF and adjust color temperature by push button after connecting receivers.

#### Color parameters

- Brightness
- Saturation
- Fading

### TSDMX-E: Touchscreen DMX controller



#### ORDERING CODE

**TSDMX-E**

TSDMX-E - Touchscreen DMX controller

Programmable advanced DMX512 lighting controller featuring a touch-screen interface. Operates as stand alone controller or integrated with most architectural lighting control systems. Can controller endless DMX512 enabled devices.

Mounts to standard single or dual gang wall box with the included power supply inside the junction box. Terminal block design for power and data connections.

#### Power supply

7 VDC (included)

#### Programmability

PC, Mac, Tablet, Smartphone

#### Output signal

DMX512 (1024 channels)

#### Color parameters

- Brightness
- Saturation
- Speed of color changing sequence
- Fading / dimming / brightness

#### Key Features

- Sleek glass design which sits 0.43" from the wall
- Graphical color display to show selected environment
- Color/dimmer/speed palette
- Color temperature mixing
- Touch sensitive buttons. No mechanical parts
- Touch sensitive wheel allows for accurate color selection
- Multi-zone microSD memory
- Multi-room control with 500 scenes, 10 zones
- 1024 DMX channels. Control 340 RGB fixtures
- USB & Ethernet connectivity

## DMX decoder

DMX signal to RGBW decoder (required to operate DMX controller, decoder not needed if using PSDMX power supply)



ORDERING CODE

**DDMX-RGBW**

DDMX-RGB - DMX decoder

Translates controller DMX512 programs for RGB and white LED strips.

Unique DMX address for the decoder can be set easily and displayed by the numeric display on the case. Changing and resetting the DMX address requires manual input.

Use power repeater to expand output.

**Operating voltage**  
12-36 VDC

**Power capacity**  
up to 96W at 24V

**Operating temperature range**  
from -4 °F to +122 °F in case

## RGBW-RC-R

Dynamic white receiver



ORDERING CODE

**RGBW-RC-R**

RGBW-RC-R - Dynamic white receiver

The DDW receiver is easily paired with controller by the click of a button. Receiver can be reset to factory settings at any time.

Each receiver can store one static DW color, one color sequence, and one brightness setting for the white LED strip. Receivers assigned to the same scene within the same zone will have the same LED static color and color sequence.

**Operating voltage**  
12-36 VDC

**Power capacity**  
up to 96W at 24V

**Operating temperature range**  
from -4 °F to +122 °F in case