



**Features**

Kurba Horizontal is a direct view, small profile, energy efficient and flexible LED strip suitable for wet locations capable of horizontal bends up to 2.5" radius. Built with robust factory made power feeds or joiners, Kurba Horizontal mounts to a specifically designed aluminum extruded channel.

**Applications**

Outdoor wet location

**Operating Voltage**

24VDC

**Operating Temperature**

-4°F to 113°F (-20°C to 45°C)

**Average Life**

50,000 hours

**Dimming**

Low voltage dimmer and class 2 dimming power supply required

**Approvals**

Class 2 wet listed, IP67

**Warranty**

3 years

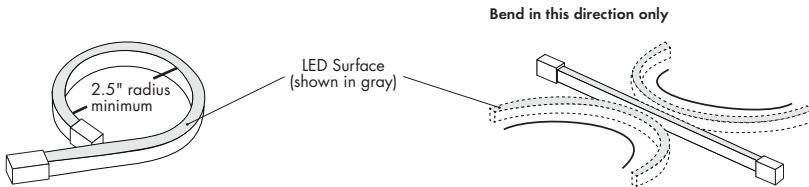
**Pool and Spa Rated**

Injection molded only



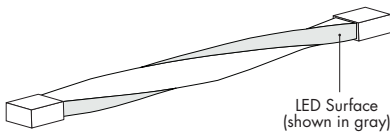
**CAUTION!** Reference diagram below on Can and Cannots when installing the Kurba Horizontal

**CAN** Bend LED in these positions only to avoid damage

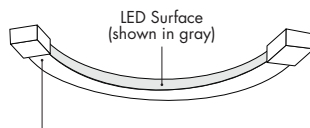


**CANNOT** Twisting or bending LED in these positions will cause damage to the LED

Twisting Kurba will cause damage to the LED



Bending in the same direction as the LED will cause damage to the LED



Do not make sharp bends near the endcap  
Note: for vertical bends refer to Luminii KBL series

**Technical Information**

Model	KBM-XX	CCT INFO / LUMEN MULTIPLIER	
LEDs/ft	22	Color Temperature	Multiplier (reference -3000K)
Light Output at 3000K	122 lm/ft	2200K	0.98
Average Power Consumption at 4'	3.4 W/ft	2400K	1.00
Ordering Increment	3.28"	2700K	1.03
Maximum Run Length (In Series)	26'	3000K	1.00
		3500K	1.09
		4000K	1.10

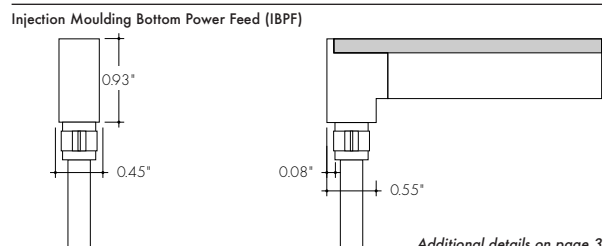
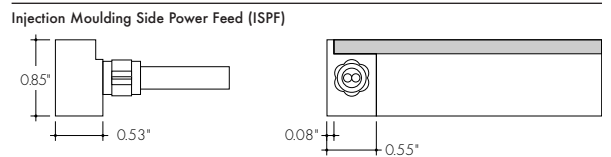
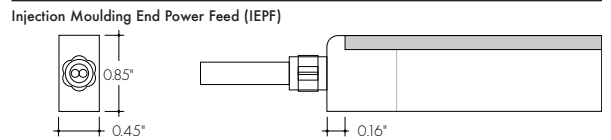
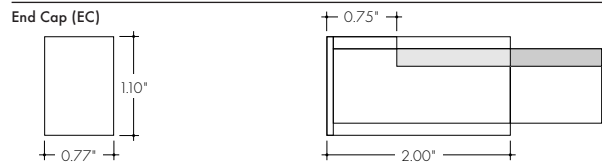
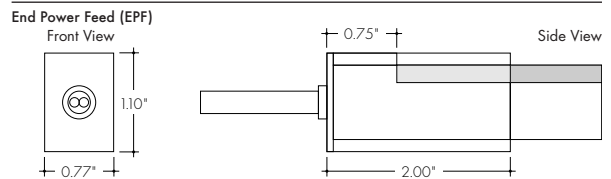
**Ordering Code**

MODEL	CCT	SECTION START	SECTION END	LENGTH
KBM-F-H	22K	EPF	EC	

KBM-F-H - Kurba Medium, flat horizontal  
 22K - 2200K  
 24K - 2400K  
 27K - 2700K  
 30K - 3000K  
 35K - 3500K  
 40K - 4000K  
 EPF - End power feed (9' wire lead)  
 EC - End cap  
 IEPF\* - Injection Moulding End power feed (9' wire lead)  
 IBPF\* - Injection Moulding Bottom power feed (9' wire lead)  
 ISPF\* - Injection Moulding Side power feed (9' wire lead)  
 IEC\* - Injection Moulding End cap  
 EPF - End power feed (9' wire lead)  
 EC - End cap  
 IEPF\* - Injection Moulding End power feed (9' wire lead)  
 IBPF\* - Injection Moulding Bottom power feed (9' wire lead)  
 ISPF\* - Injection Moulding Side power feed (9' wire lead)  
 IEC\* - Injection Moulding End cap  
 view table above for ordering increment, for additional information reference page 3

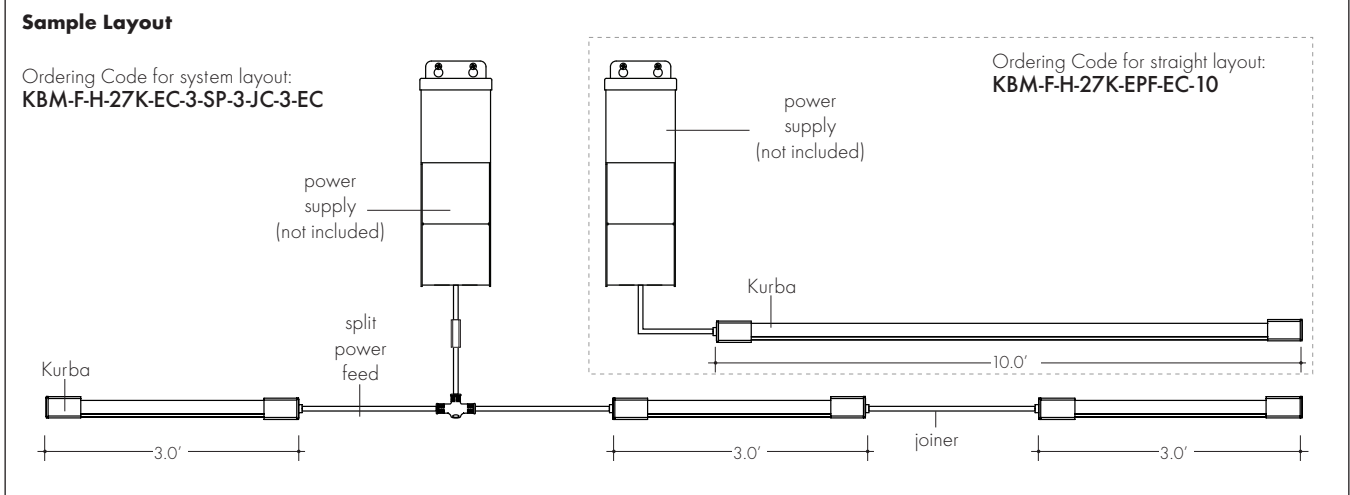
\*4-8 week lead time, depending on length of the order

**Section Start/End Power Feed Options**



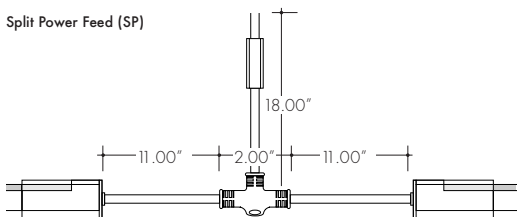
Additional details on page 3

**Kurba System Run**

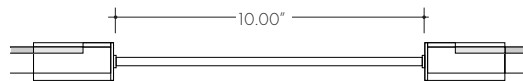


**Section Start/End Options**

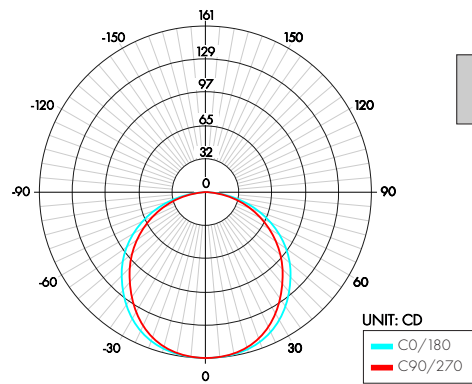
Split Power Feed (SP)



Joiner (JC)



**Candle Power Distribution (41K)**



**Ordering Code for System Run**

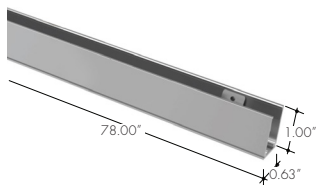
MODEL	CCT	SECTION START	FIXTURE LENGTH	JOINER TYPE	FIXTURE LENGTH	SECTION END
<b>KBM-F-H</b>	<b>22K</b>	<b>EPF</b>		<b>SP</b>		<b>EC</b>
KBM-F-H - Kurba Medium Flat Horizontal	22K - 2200K 24K - 2400K 27K - 2700K 30K - 3000K 35K - 3500K 40K - 4000K	EC - End Cap EPF - End Power Feed (72" wire lead) IEC* - Injection Moulding End Caps	View table on page 1 for increment options and maximum run limits	SP - Split Power Feed JC - Joiner	Reference page 3 for actual measurements	EC - End Cap EPF - End Power Feed (72" wire lead) IEC - Injection Moulding End Cap

\*4-8 week lead time, depending on length of the order.

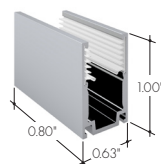
Each system run must be kept under power supply max wattage. Refer to page 4 for power supply information. Additional runs can be added to system, by continuing the same ordering code logic reference sample above.

**Mounting Accessories & Optional Connectors**

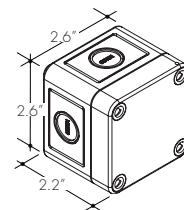
Aluminum Channel, **IK08 rated, when aluminum channel used throughout the complete installation.**  
Part # MC-KBM-F-H-78



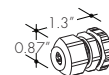
Mounting Bracket, recommended every 8 inches  
Part # MB-KBM-F-H-ST



Splice Box: Wet rated, low voltage splice box, gray  
Part # LVSP-WET



Connector: Low voltage splice box wet cable management gray  
Part # LVSP-WET-CM



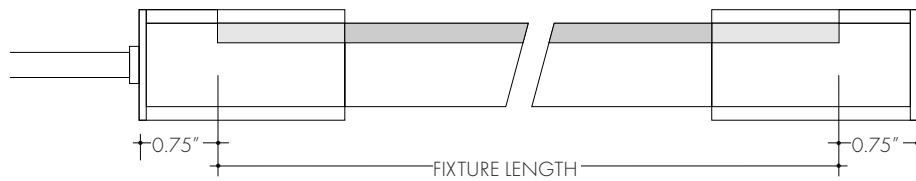
**Power Consumption Per Fixture Length**

Based on operation with PSD series of power supplies.

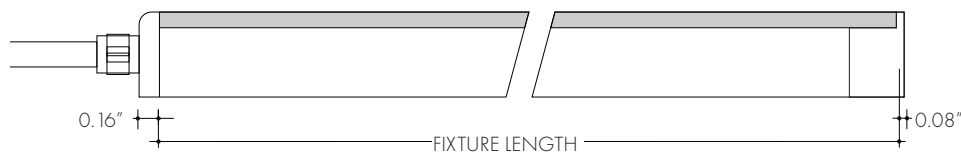
Cut Increment (3.28")	Actual Length (in)	Total wattage	Cut Increment (3.28")	Actual Length (in)	Total wattage	Cut Increment (3.28")	Actual Length (in)	Total wattage	Cut Increment (3.28")	Actual Length (in)	Total wattage
1	3.28"	1.23	26	85.66"	24.70	51	168.04"	47.65	76 (21 FT)	250.42"	70.00
2	6.58"	2.47	27	88.95"	25.60	52	171.34"	48.60	77	253.72"	70.85
3 (1 FT)	9.87"	3.70	28 (8 FT)	92.25"	26.50	53	174.63"	49.48	78	257.01"	71.70
4	13.17"	4.38	29	95.55"	27.48	54 (15 FT)	177.93"	50.50	79	260.31"	72.55
5	16.46"	5.05	30	98.84"	28.45	55	181.22"	51.35	80 (22 FT)	263.60"	73.40
6	19.76"	5.72	31	102.14"	29.43	56	184.52"	52.20	81	266.90"	74.26
7 (2 FT)	23.05"	6.40	32 (9 FT)	105.43"	30.40	57	187.81"	53.05	82	270.19"	75.12
8	26.35"	7.56	33	108.73"	31.33	58 (16 FT)	191.11"	53.90	83 (23 FT)	273.49"	76.00
9	29.64"	8.72	34	112.02"	32.25	59	194.40"	54.76	84	276.78"	76.88
10 (3 FT)	32.94"	9.90	35	115.32"	33.18	60	197.70"	55.62	85	280.08"	77.75
11	36.23"	10.85	36 (10 FT)	118.61"	34.10	61 (17 FT)	201.00"	56.50	86	283.37"	78.63
12	39.53"	11.80	37	121.91"	35.00	62	204.29"	57.48	87 (24 FT)	286.67"	79.50
13	42.82"	12.75	38	125.20"	35.95	63	207.58"	58.45	88	289.96"	80.15
14 (4 FT)	46.12"	13.70	39 (11 FT)	128.50"	36.80	64	210.88"	59.43	89	293.26"	80.80
15	49.41"	14.60	40	131.79"	37.63	65 (18 FT)	214.17"	60.40	90	296.55"	84.45
16	52.71"	15.50	41	135.10"	38.45	66	217.47"	61.25	91 (25 FT)	299.85"	82.10
17 (5 FT)	56.00"	16.40	42	138.38"	39.28	67	220.76"	62.10	92	303.14"	82.90
18	59.30"	17.35	43 (12 FT)	141.68"	40.10	68	224.06"	62.95	93	306.44"	83.90
19	62.59"	18.30	44	144.97"	41.08	69 (19 FT)	227.35"	63.80	94	309.73"	84.60
20	65.89"	19.25	45	148.27"	42.05	70	230.65"	64.76	95 (26 FT)	313.03"	85.30
21 (6 FT)	69.18"	20.10	46	151.56"	43.03	71	233.95"	65.72			
22	72.48"	21.02	47 (13 FT)	154.86"	44.00	72 (20 FT)	237.24"	66.70			
23	75.77"	21.98	48	158.16"	44.90	73	240.54"	64.53			
24	79.07"	22.93	49	161.45"	45.80	74	243.83"	68.35			
25 (7 FT)	82.36"	23.80	50 (14 FT)	164.75"	46.70	75	247.13"	69.18			
<b>tolerance +/- 0.25"</b>											

Must also take into consideration endcap (reference below) for complete length

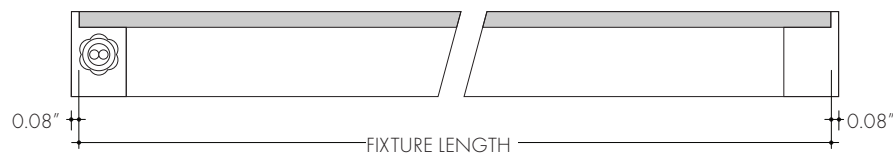
Standard Model



Injection Moulding Model (End feed)



Injection Moulding Model (Side & Bottom feed)



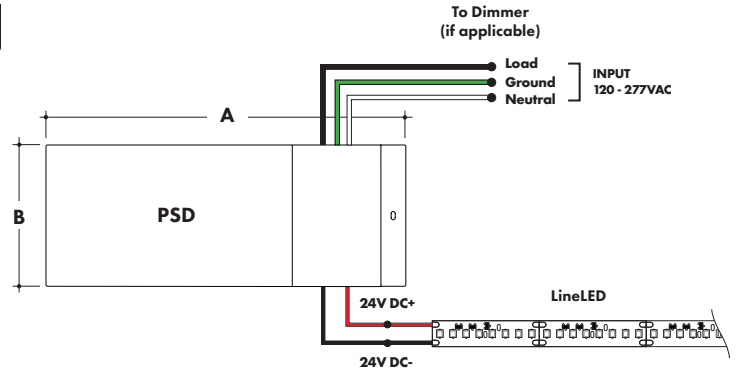
**Power Supply**

See fixture and power supply instructions & spec sheet for wiring information. Dimming possible in select models - view Luminii website for list of compatible dimmers.

**Magnetic Low Voltage Dimming Power Supplies**

MODEL	POWER	OUTPUT	INPUT
<b>PSD</b>	<b>48</b>	<b>24</b>	
PSD - PSD Series dims down to 0%	48 - 48 Watt 96 - 96 Watt 288 - 288 Watt (3 x 96Watt)	24 - 24 VDC	Blank - 120 V 240 - 240 V 277 - 277 V

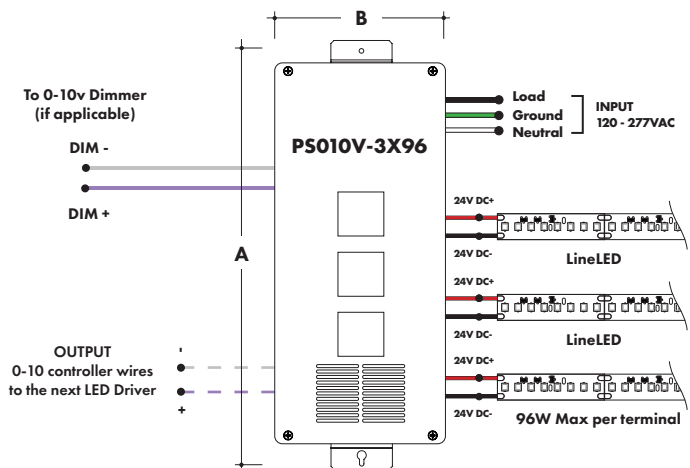
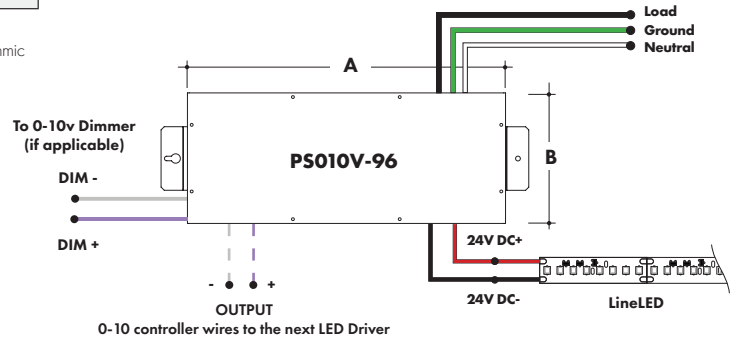
MODELS	PSD 48	PSD 96	PSD 288
<b>A Length</b>	11.25"	11.25"	13.06"
<b>B Width</b>	3.42"	3.42"	8.42"
<b>Depth</b>	3.42"	3.27"	4.47"



**0-10V Dimming Power Supplies**

MODEL	POWER	OUTPUT	DIMMING
<b>PS010V</b>	<b>96</b>	<b>24</b>	<b>LIN</b>
PS010V - 0-10V Power Supply dims down to 0%	96 - 96 Watt 3X96 - 3 X 96 Watt	24 - 24 VDC	LIN - Linear LOG - Logarithmic

MODELS	96W	3X96
<b>A Length</b>	14.40"	15.75"
<b>B Width</b>	5.20"	6.62"
<b>Depth</b>	2.60"	4.95"



**Power Supply**

See fixture and power supply instructions & spec sheet for wiring information. Dimming possible in select models - view Luminii website for list of compatible dimmers.

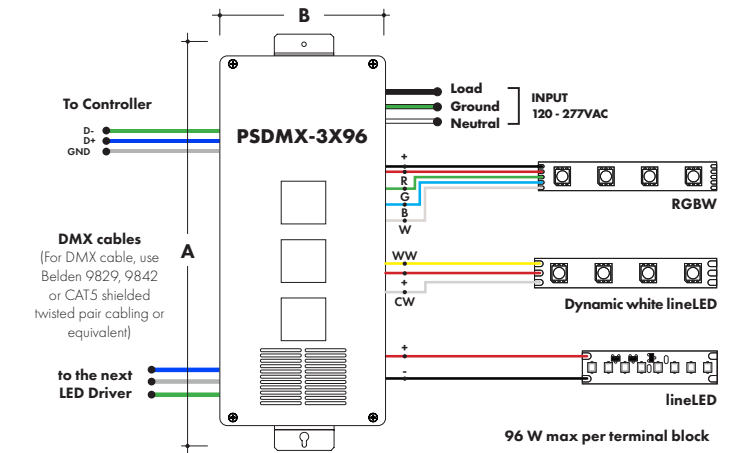
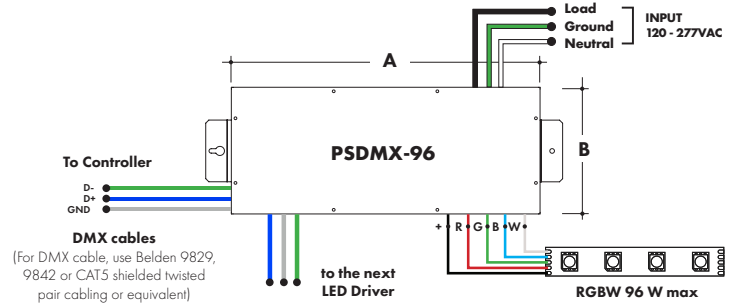
**DMX Dimming Power Supplies**

MODEL	POWER	OUTPUT
<b>PSDMX</b>	<b>96</b>	<b>24</b>

PSDMX - DMX Power Supply    96 - 96 Watt    24 - 24 VDC  
 3X96 - 3 X 96 Watt

Features eldoLED's LINEARdrive configurable dimmable drivers

MODELS	96W	3X96
<b>A Length</b>	14.40"	15.75"
<b>B Width</b>	5.20"	6.62"
<b>Depth</b>	2.60"	4.95"



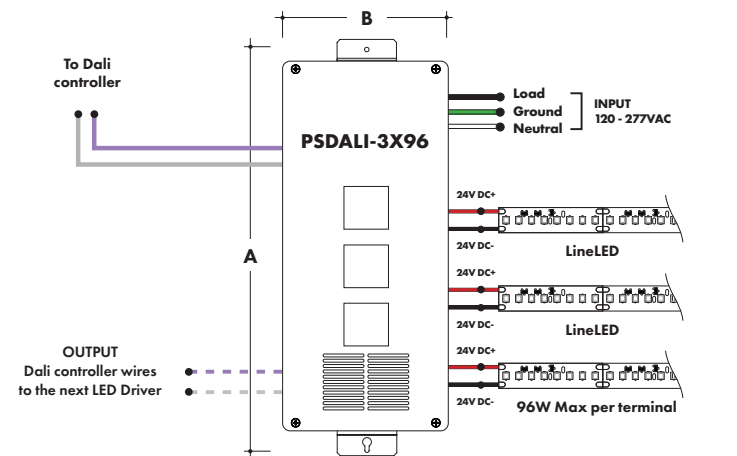
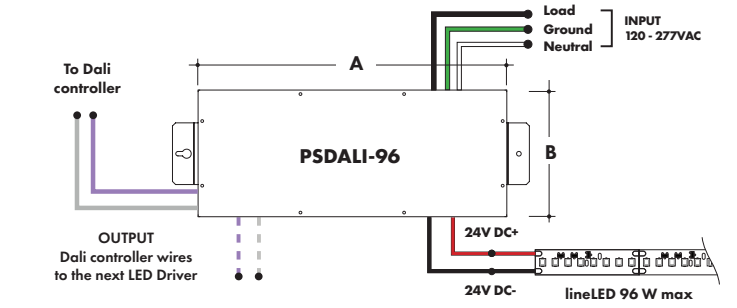
**DALI Dimming Power Supplies**

MODEL	POWER	OUTPUT
<b>PSDALI</b>	<b>96</b>	<b>24</b>

PSDALI - DALI Power Supply    96 - 96 Watt    24 - 24 VDC  
 dims down to 0%    3X96 - 3 X 96 Watt

Features eldoLED's LINEARdrive configurable dimmable drivers

MODELS	96W	3X96
<b>A Length</b>	14.40"	15.75"
<b>B Width</b>	5.20"	6.62"
<b>Depth</b>	2.60"	4.95"



**Power Supply**

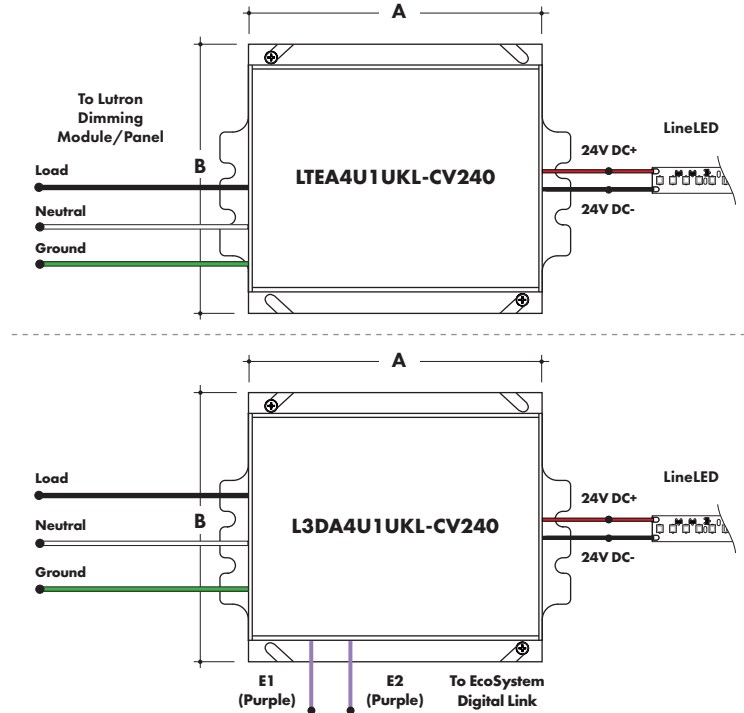
See fixture and power supply instructions & spec sheet for wiring information. Dimming possible in select models - view Luminii website for list of compatible dimmers.



Luminii is a Lutron OEM Advantage Partner

MODEL	MODEL
<b>LTEA4U1UKL-CV240</b>	<b>L3DA4U1UKL-CV240</b>
Lutron - HiLume™ 1% 2-wire LED Driver (120V forward phase only)	HiLume™ 1% EcoSystem Voltage LED driver

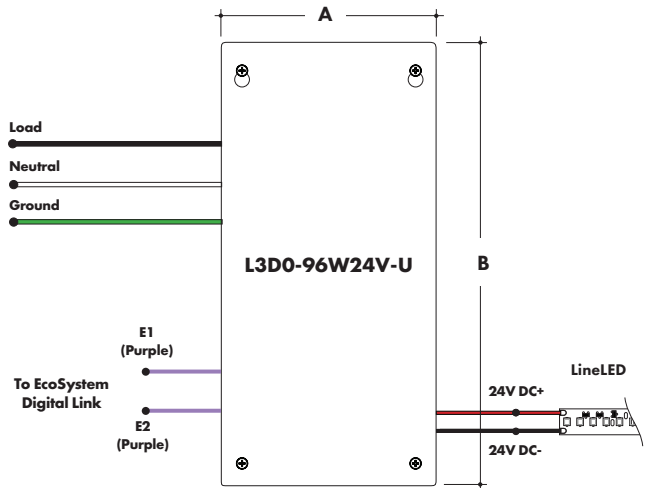
MODELS	LTEA41UKL-CV240	L3DA4U1UKL-CV240
<b>A Length</b>	4.89"	4.98"
<b>B Width</b>	4.00"	4.00"
<b>Depth</b>	2.62"	2.62"



Luminii is a Lutron OEM Advantage Partner

MODEL
<b>L3D0-96W24V-U</b>
HiLume™ 0.1% EcoSystem Voltage LED Driver with Soft-On, Fade-to-Black™

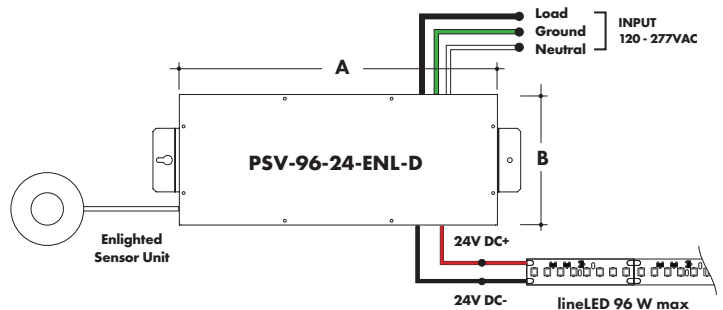
MODELS	L3D0
<b>A Length</b>	10.50"
<b>B Width</b>	5.50"
<b>Depth</b>	2.00"



**Enlighted Enabled Dimming Power Supplies:**

MODEL	POWER	OUTPUT	DIMMING	LOCATION
<b>PSV</b>	<b>96</b>	<b>24</b>	<b>ENL</b>	<b>D</b>
PSV - PSV Series	96 - 96 Watt	24 - 24 VDC	ENL - Enlighted Dimming	D - Damp

MODELS	96 W
<b>A Length</b>	14.40"
<b>B Width</b>	5.20"
<b>Depth</b>	2.60"



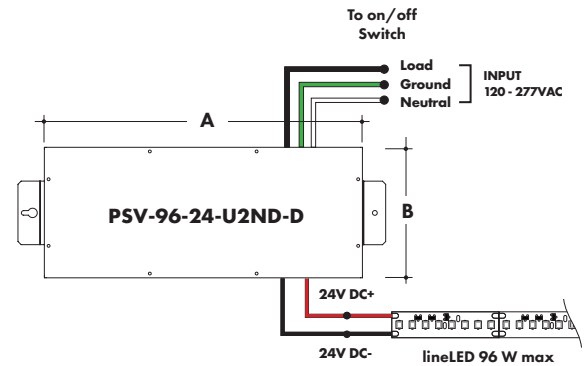
### Power Supply

See fixture and power supply instructions & spec sheet for wiring information. Dimming possible in select models - view Luminii website for list of compatible dimmers.

#### Non-Dimming Power Supply

MODEL	POWER	OUTPUT	DIMMING	LOCATION
<b>PSV</b>	<b>96</b>	<b>24</b>	<b>U2ND</b>	<b>D</b>
PSV - PSV Series	96 - 96 Watt	24 - 24 VDC	U2ND - Non Dimming	D - Damp

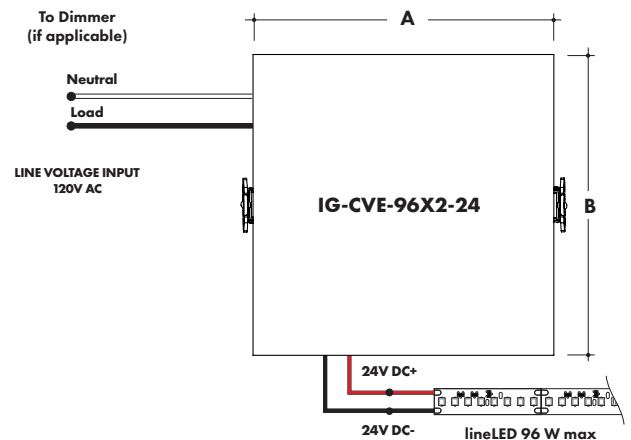
MODELS	96W
<b>A Length</b>	14.40"
<b>B Width</b>	5.20"
<b>Depth</b>	2.60"



#### In ground, Electronic Low Voltage Dimming Power Supplies

MODEL	POWER	OUTPUT	INPUT
<b>IG</b>	<b>CVE</b>	<b>96X2</b>	<b>24</b>
IG - In ground CVE Series	CVE - ELV Dimming DALI - eidoLED Dali dimming Both dims down to 0.1%	96X2 - 2 X 96 Watt	24 - 24 VDC Blank - 120 V 277 - 240/277 V

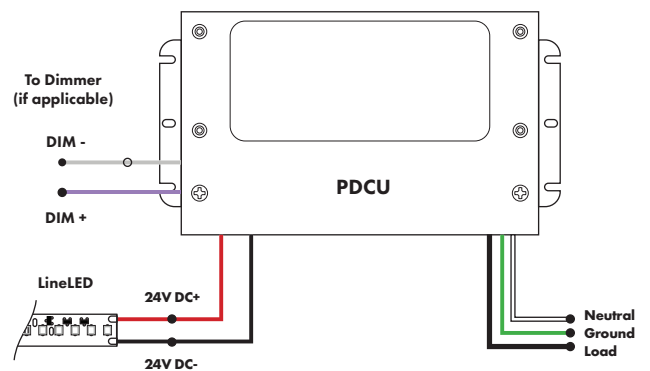
MODELS	Dual Circuit
<b>A Length</b>	8.40"
<b>B Width</b>	8.30"
<b>Depth</b>	8.10"



#### Universal Power Supply

MODEL	POWER	OUTPUT
<b>PDCU</b>	<b>30</b>	<b>24</b>
PDCU - PDCU Series	30 - 30 Watt	24 - 24 VDC
PDCUe - PDCUe Series	60 - 60 Watt 96 - 96 Watt 3X96 - 3x96 Watt	

- 0-10V - 1% dimming
- MLV/ELV/TRIAC - 1% dimming



MODELS	PDCU 30W	PDCUe 30W	PDCU 60W	PDCUe 60W	PDCU 96W	PDCUe 96W	PDCU 3X96W	PDCUe 3X96W
<b>A Length</b>	6.50"	6.10"	7.40"	7.93"	8.66"	8.25"	11.85"	1.85"
<b>B Width</b>	3.73"	3.35"	3.73"	3.35"	3.73"	4.10"	4.32"	4.32"
<b>Depth</b>	1.61"	1.33"	1.61"	1.32"	1.61"	1.56"	1.81"	1.81"