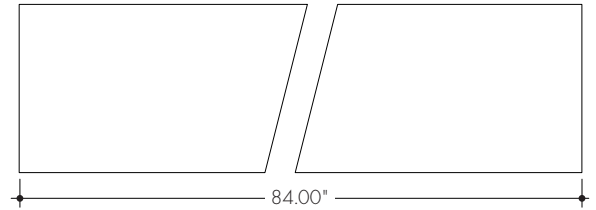
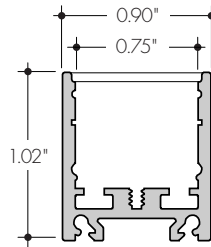
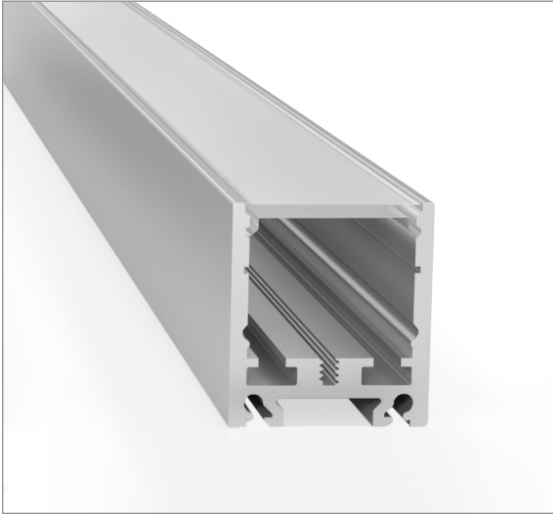


The FOTTC linear aluminum extrusion has been designed to fit FOT Flex and LineLED. Multiple mounting and lens options allow for great flexibility and adaptability for any application. Extrusion and diffuser lenses are also field cuttable. Substantial aluminum mass in profile provides excellent heat sink for high power LEDs. Mounting brackets and endcaps are sold separately.



Technical information

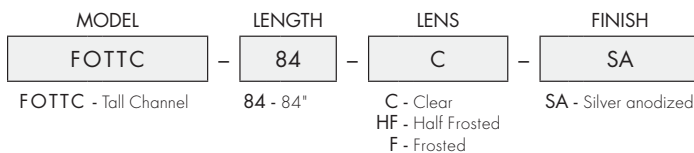
Finish: Silver anodized

Diffuser lens: Acrylic, snap-in-place, UV resistant

Mounting: Direct Surface, Mounting Clip, Rotating Clip, Flex Connect Housing (see page 2)

Lens Options							
Actual length	84"						
Available lenses	<table border="1"> <tr> <td>C</td> <td>Clear</td> </tr> <tr> <td>HF</td> <td>Half Frosted</td> </tr> <tr> <td>F</td> <td>Frosted</td> </tr> </table>	C	Clear	HF	Half Frosted	F	Frosted
	C	Clear					
	HF	Half Frosted					
F	Frosted						

Ordering code



Accessories

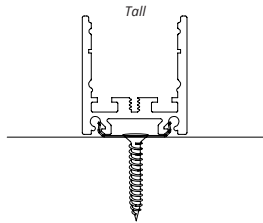
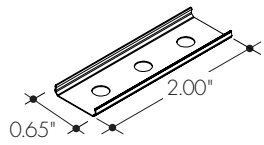
All accessories sold separately.

Mounting options

MB-FOTTC-SS

Mounting Clip – Tall

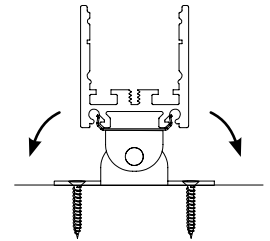
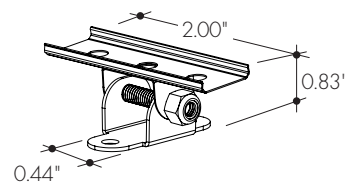
Compatible Channel: Tall



MB-FOTTC-A-SS

Rotating Clip – Tall

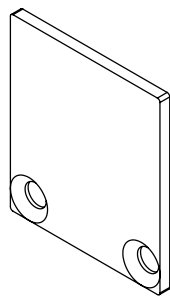
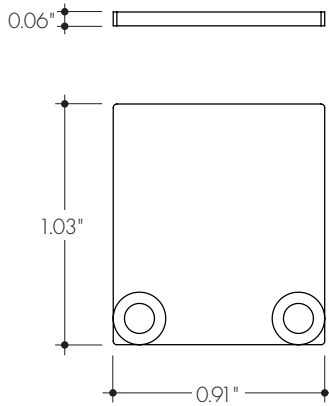
Compatible Channel: Tall



Endcaps

EC-FOTTC-H3-SA

Endcap



EC-FOTTC-H4-SA

Endcap with hole

