



**Features**

The LineLED 72 is a small profile and energy efficient light strip. It is easily installed directly on to the mounting surface with double sided tape or within discrete mounting extrusions. The durable but flexible circuit board and multiple connector options enable the extension of the light strip and the perfect fit for every application.

**Applications**

Indoor only – above and below cabinets, cove lighting, counter accent, architectural reveals, under banister, display and book cases, etc.

**Mounting**

LLED strip is equipped with 3M™ adhesive transfer tape (9472LE). Must be adhered to either a Luminii aluminum profile or an unpainted aluminum surface. For other surfaces the HST Aluminum heat sink tape will be required to reach the rated 50,000 hours average life.

**Approvals**

Class 2 damp listed

**Operating Voltage**

24VDC

**Average Life**

50,000 hours

**Warranty**

5 years



**Technical Information**

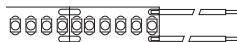
MODEL	LL72	LL72-LO	CCT INFO / LUMEN MULTIPLIER			TM-30-15		
			Color Temperature	Multiplier (reference - 3000K)	CRI	R <sub>f</sub>	R <sub>g</sub>	
LEDs/ft	72	72						
Light Output (3000K)	505 lum/ft	316 lm/ft						
Average Power Consumption (for 15' section)	5.4 W/ft	3.2 W/ft						
Ordering Increment	1.0"	1.0"						
Pitch Length	0.16"	0.16"						
Efficacy lum/Watt	94 lm/W	99 lm/W						
Maximum Run Length (in series)	18 ft	24ft						
Dimensions	0.39" W 0.08" H	0.39" W 0.08" H						
			1900K	0.63	96	94	97	
			2200K	0.68	96	95	101	
			2400K	0.72	98	97	101	
			2700K	0.76	97	96	101	
			2900K	0.82	98	96	102	
			3000K	1.00	97	95	104	
			3500K	1.05	97	94	105	
			4100K	1.37	97	90	99	

**Section Start/End Options**

No Connector



Soldered Leads (72")



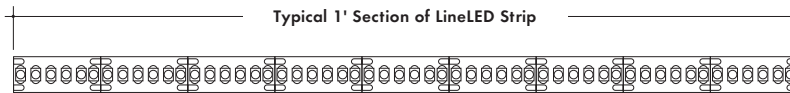
**Ordering Code**

MODEL	CCT	SECTION START	SECTION END	LENGTH
<b>LL72</b>	<b>19K</b>	<b>SL</b>	<b>NC</b>	
LL72 - LL72 Very High Output LL72-LO - LL72 Low Output	19K - 1900K 22K - 2200K 24K - 2400K 27K - 2700K 29K - 2900K 30K - 3000K 35K - 3500K 41K - 4100K	SL - Soldered lead wires (72") NC - No connector	SL - Soldered lead wires (72") NC - No connector	View table above for increment options and maximum run limits

### Power Consumption Per Fixture Length

Based on operation with PSD series of power supplies.

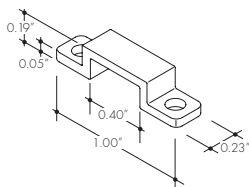
Length of Strip (LF)	LL72		LL72-LO	
	W/ft	Total Wattage	W/ft	Total Wattage
1	6.75	6.75	4.20	4.20
2	6.75	13.50	4.30	8.60
3	6.65	19.95	4.03	12.10
4	6.55	26.20	4.02	16.10
5	6.45	32.25	3.92	19.60
6	6.40	38.40	3.83	23.00
7	6.25	43.75	3.74	26.20
8	6.15	49.20	3.70	29.60
9	6.00	54.00	3.61	32.50
10	5.90	59.00	3.54	35.40
11	5.80	63.80	3.48	38.30
12	5.70	68.40	3.41	41.00
13	5.60	72.80	3.37	43.90
14	5.50	77.00	3.32	46.50
15	5.40	81.00	3.26	48.90
16	5.30	84.80	3.20	51.30
17	5.25	89.25	3.14	53.50
18	5.15	92.70	3.10	55.90
19			3.04	57.80
20			2.98	59.70
21			2.92	61.40
22			2.86	63.10
23			2.82	65.00
24			2.77	66.70



### Accessories

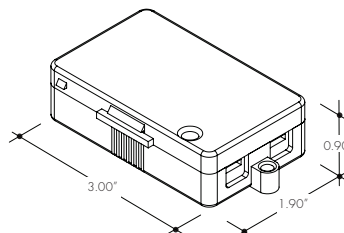
Mounting clip:  
recommended at every 12" when  
lineLED strip is facing down.

Part # CL-1



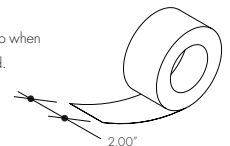
Splice Box:  
low voltage, 4 terminal  
splice box, black.

Part # LVSP-4T-BK



Heat sink tape:  
included with LineLED strip when  
no extrusions are ordered.

Part # HST



Lens Options / Light Transmission Percentage Per Lens

- C**  
Clear
- HF**  
Half (50%)  
Frosted
- G**  
Graze
- SI**  
Satin Ice
- S**  
Square  
Frosted
- Q**  
Round Square  
Frosted
- F**  
Frosted
- M**  
Medium Beam  
Frosted
- R**  
Raised
- C36**  
Clear 36°  
Beam Angle
- C10**  
Clear 10°  
Beam Angle

<p><b>KS Channel (KSC-XX)</b></p> <p><b>C</b> <b>F</b> <b>HF</b> <b>C36</b> <b>R</b></p> <p>85% 55% 72% 83% 51%</p>	<p><b>KM Channel (KMC-XX)</b></p> <p><b>C</b> <b>F</b> <b>HF</b> <b>C10</b> <b>R</b></p> <p>71% 42% 58% 67% 39%</p>	<p><b>K45V Channel (K45VC-XX)</b></p> <p><b>C</b> <b>F</b> <b>HF</b> <b>C10</b></p> <p>71% 42% 58% 67%</p>	<p><b>K45R Channel (K45RC-XX)</b></p> <p><b>F</b></p> <p>42%</p>	<p><b>BOS Channel (BOSC-XX)</b></p> <p><b>F</b> <b>SI</b> <b>R</b> <b>G</b></p> <p>43% 56% 46% 67%</p>
<p><b>KL Channel (KLC-XX)</b></p> <p><b>C</b> <b>F</b> <b>HF</b></p> <p>83% 55% 68%</p>	<p><b>KXL Channel (KXLC-XX)</b></p> <p><b>C</b> <b>F</b> <b>HF</b></p> <p>74% 46% 61%</p>	<p><b>CLA Channel (CLAC-XX)</b></p> <p><b>S</b> <b>Q</b></p> <p>62% 63%</p>	<p><b>ALC Channel (ALC-XX)</b></p> <p><b>C</b> <b>F</b> <b>HF</b></p> <p>79% 58% 69%</p>	<p><b>KRS Channel (KRSC-XX)</b></p> <p><b>C</b> <b>F</b> <b>HF</b></p> <p>85% 55% 72%</p>
<p><b>KRM Channel (KRMC-XX)</b></p> <p><b>C</b> <b>F</b> <b>HF</b></p> <p>71% 42% 58%</p>	<p><b>KRL Channel (KRLC-XX)</b></p> <p><b>C</b> <b>F</b> <b>HF</b></p> <p>83% 55% 68%</p>	<p><b>KRXL Channel (KRXL-XX)</b></p> <p><b>C</b> <b>F</b> <b>HF</b></p> <p>74% 46% 61%</p>	<p><b>Wall+ Channel (WPC-XX)</b></p> <p><b>C</b> <b>F</b></p> <p>47% 44%</p>	<p><b>RO Channel (RO-XX)</b></p> <p><b>C</b> <b>F</b></p> <p>75% 52%</p>
<p><b>ALS20 Channel (ALS20-XX)</b></p> <p><b>C</b> <b>F</b></p> <p>78% 43%</p>	<p><b>FL Channel (FL-XX)</b></p> <p><b>C</b> <b>F</b> <b>HF</b></p> <p>85% 63% 75%</p>			

**Installation**

All mounting channels are field cuttable using miter saw with circular blade suitable for cutting aluminum.

**Ordering**

Extrusions are sold separately. View respective specsheets for details on ordering extrusions and their accessories (endcaps, mounting brackets, etc).

**Discontinued Extrusion Reference Link**

<https://www.luminii.com/media/4351/extrusion-update-02.pdf>

**LED Dotting Per Extrusion**

Using the frosted lens option

Extrusion	LED Models	
	LL72	LL72-LO
KSC, KRSC, FL, ALC	ND	ND
KMC, KRMC, K45VC, K45RC	ND	ND
KXLC, KRXLC	ND	ND
KLC, KRLC	ND	ND
WPC	ND	ND
RO, ALS20	ND	ND
BOSC	ND	ND
CLAC	ND	ND



Clear Dotting (CD)    Slight Dotting (SD)    NO Dotting (ND)

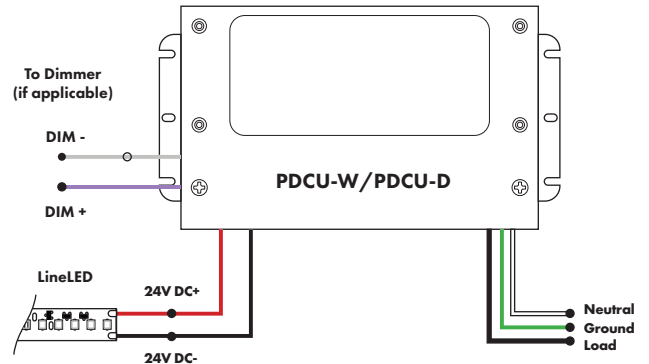
### Power Supply

See fixture and power supply instructions & spec sheet for wiring information. Dimming possible in select models - view Luminii website for list of compatible dimmers.

#### Universal Power Supply

MODEL	POWER	OUTPUT
<b>PDCU-W</b>	<b>96</b>	<b>24</b>
PDCU-W - IP66 Wet Series	96 - 96 W 3X96 - 3X96 W	24 - 24 VDC
PDCU-D - IP20 Dry Series	30 - 30 W 60 - 60 W 96 - 96 W 3X96 - 3X96 W	

0-10V - 1% dimming  
MLV/ELV/TRIAC - 1% dimming, consult dimming compatibility chart  
Compatibility:  
View a complete list of compatible dimmers on product page ([Link](#))

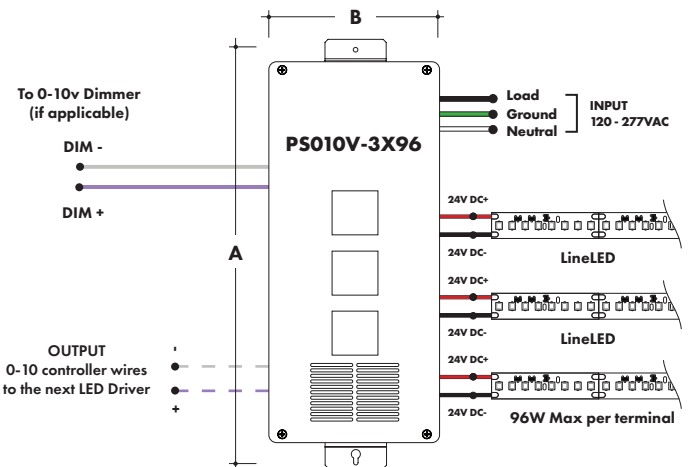
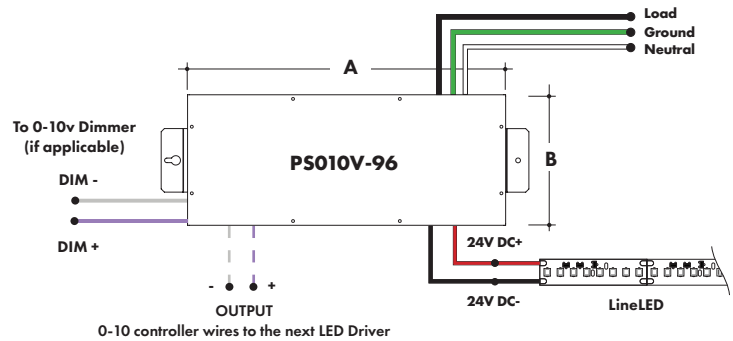


MODELS	PDCU-W 96W	PDCU-W 3X96W	PDCU-D 30W	PDCU-D 60W	PDCU-D 96W	PDCU-D 3X96W
<b>A Length</b>	8.66"	11.85"	6.10"	7.93"	8.25"	9.57"
<b>B Width</b>	3.73"	4.32"	3.35"	3.35"	4.10"	5.94"
<b>Depth</b>	1.61"	1.81"	1.33"	1.32"	1.56"	1.13"

#### 0-10V Dimming Power Supplies

MODEL	POWER	OUTPUT	DIMMING
<b>PS010V</b>	<b>96</b>	<b>24</b>	<b>LIN</b>
PS010V - 0-10V Power Supply dims down to 0%	96 - 96 Watt 3X96 - 3 X 96 Watt	24 - 24 VDC	LIN - Linear LOG - Logarithmic

MODELS	96W	3X96
<b>A Length</b>	14.40"	15.75"
<b>B Width</b>	5.20"	6.62"
<b>Depth</b>	2.60"	4.95"



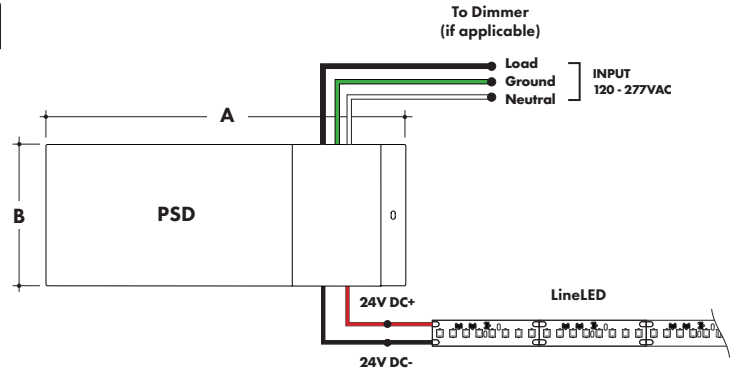
### Power Supply

See fixture and power supply instructions & spec sheet for wiring information. Dimming possible in select models - view Luminii website for list of compatible dimmers.

#### Magnetic Low Voltage Dimming Power Supplies

MODEL	POWER	OUTPUT	INPUT
<b>PSD</b>	<b>48</b>	<b>24</b>	
PSD - PSD Series dims down to 0%	48 - 48 Watt 96 - 96 Watt 288 - 288 Watt (3 x 96Watt)	24 - 24 VDC	Blank - 120 V 240 - 240 V 277 - 277 V

MODELS	48W	96W	288W
<b>A Length</b>	11.25"	11.25"	13.06"
<b>B Width</b>	3.42"	3.42"	8.42"
<b>Depth</b>	3.42"	3.27"	4.47"

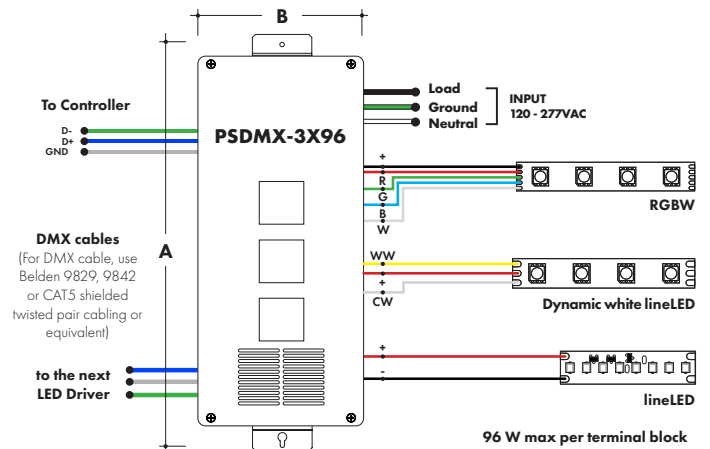
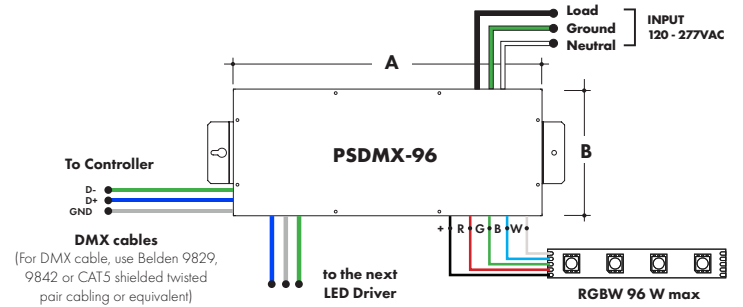


#### DMX Dimming Power Supplies

MODEL	POWER	OUTPUT
<b>PSDMX</b>	<b>96</b>	<b>24</b>
PSDMX - DMX Power Supply	96 - 96 Watt 3X96 - 3 X 96 Watt	24 - 24 VDC

Features eldoLED's LINEARdrive configurable dimmable drivers

MODELS	96W	3X96
<b>A Length</b>	14.40"	15.75"
<b>B Width</b>	5.20"	6.62"
<b>Depth</b>	2.60"	4.95"



## Power Supply

See fixture and power supply instructions & spec sheet for wiring information. Dimming possible in select models - view Luminii website for list of compatible dimmers.

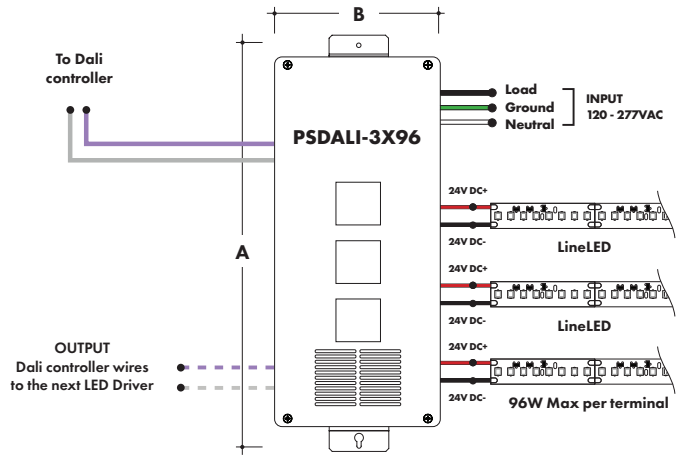
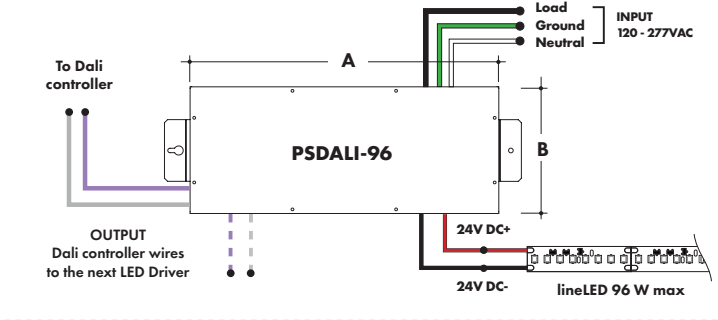
### DALI Dimming Power Supplies

MODEL	POWER	OUTPUT
<b>PSDALI</b>	<b>96</b>	<b>24</b>

PSDALI - DALI Power Supply  
dims down to 0%  
96 - 96 Watt  
3X96 - 3 X 96 Watt  
24 - 24 VDC

Features eldoLED's LINEARdrive configurable dimmable drivers

MODELS	96W	3X96
<b>A Length</b>	14.40"	15.75"
<b>B Width</b>	5.20"	6.62"
<b>Depth</b>	2.60"	4.95"

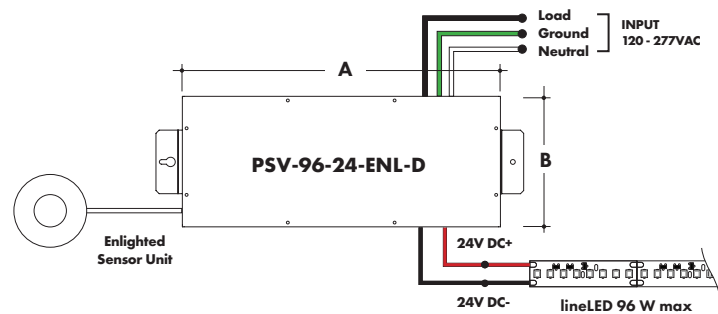


### Enlighted Enabled Dimming Power Supplies:

MODEL	POWER	OUTPUT	DIMMING	LOCATION
<b>PSV</b>	<b>96</b>	<b>24</b>	<b>ENL</b>	<b>D</b>

PSV - PSV Series 96 - 96 Watt 24 - 24 VDC ENL - Enlighted Dimming D - Damp

MODELS	96W
<b>A Length</b>	14.40"
<b>B Width</b>	5.20"
<b>Depth</b>	2.60"

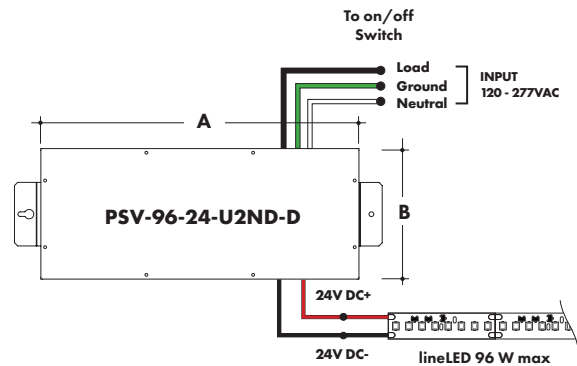


### Non-Dimming Power Supply

MODEL	POWER	OUTPUT	DIMMING	LOCATION
<b>PSV</b>	<b>96</b>	<b>24</b>	<b>U2ND</b>	<b>D</b>

PSV - PSV Series 96 - 96 Watt 24 - 24 VDC U2ND - Non Dimming D - Damp

MODELS	96W
<b>A Length</b>	14.40"
<b>B Width</b>	5.20"
<b>Depth</b>	2.60"



### Power Supply

See fixture and power supply instructions & spec sheet for wiring information. Dimming possible in select models - view Luminii website for list of compatible dimmers.



Luminii is a Lutron OEM Advantage Partner

MODEL

**LTEA4U1UKL-CV240**

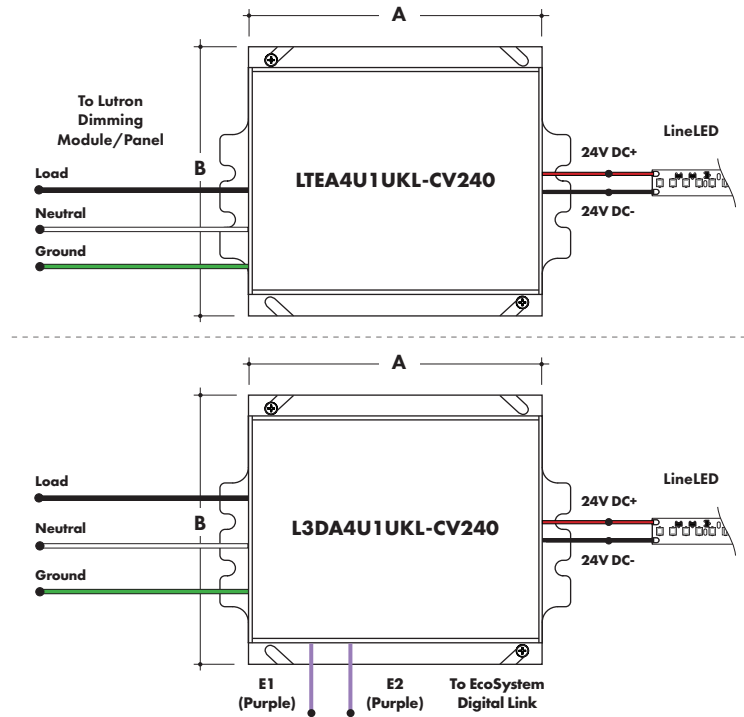
Lutron - HiLume™ 1% 2-wire LED Driver  
(120V forward phase only)

MODEL

**L3DA4U1UKL-CV240**

HiLume™ 1% EcoSystem Voltage LED driver

MODELS	LTEA4U1UKL-CV240	L3DA4U1UKL-CV240
<b>A Length</b>	4.89"	4.98"
<b>B Width</b>	4.00"	4.00"
<b>Depth</b>	2.62"	2.62"



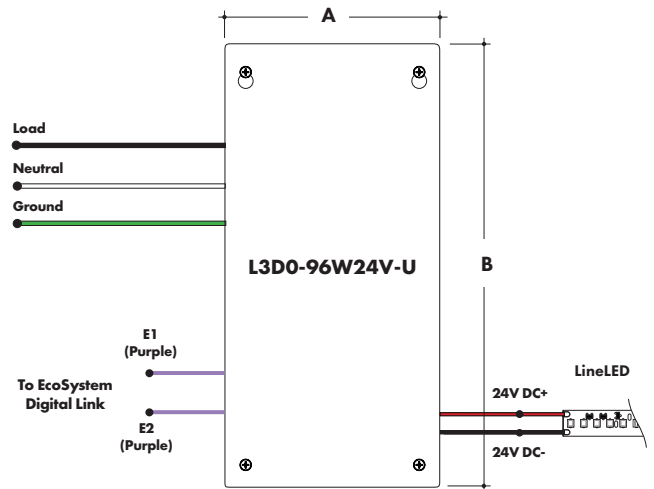
Luminii is a Lutron OEM Advantage Partner

MODEL

**L3D0-96W24V-U**

HiLume™ 0.1% EcoSystem Voltage LED Driver with Soft-On, Fade-to-Black™

MODELS	L3D0
<b>A Length</b>	10.50"
<b>B Width</b>	5.50"
<b>Depth</b>	2.00"



### Power Supply

See fixture and power supply instructions & spec sheet for wiring information. Dimming possible in select models - view Luminii website for list of compatible dimmers.

#### In ground, Electronic Low Voltage Dimming Power Supplies

MODEL	POWER	OUTPUT	INPUT
<b>IG</b> - CVE	<b>96X2</b>	<b>24</b>	Blank - 120 V 277 - 240/277 V
IG - In ground CVE Series	96X2 - 2 X 96 Watt	24 - 24 VDC	
CVE - ELV Dimming DALI - eldoLED Dali dimming			
Both dims down to 0.1%			

MODELS	Dual Circuit
<b>A Length</b>	8.40"
<b>B Width</b>	8.30"
<b>Depth</b>	8.10"

