



**Features**

The LineLED 72 is a small profile and energy efficient light strip. It is easily installed directly on to the mounting surface with double sided tape or within discrete mounting extrusions. The durable but flexible circuit board and multiple connector options enable the extension of the light strip and the perfect fit for every application.

**Applications**

Indoor only – above and below cabinets, cove lighting, counter accent, architectural reveals, under banister, display and book cases, etc.

**Mounting**

LLED strip is equipped with 3M™ adhesive transfer tape (9472LE). Must be adhered to either a Luminii aluminum profile or an unpainted aluminum surface. For other surfaces the HST Aluminum heat sink tape will be required to reach the rated 50,000 hours average life.

**Approvals**

Class 2 damp listed

**Operating Voltage**

24VDC

**Average Life**

50,000 hours

**Warranty**

5 years



**Technical Information**

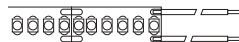
MODEL	LL72	LL72-LO	CCT INFO / LUMEN MULTIPLIER			TM-30-15		
			Color Temperature	Multiplier (reference - 3000K)	CRI	R <sub>f</sub>	R <sub>g</sub>	
LEDs/ft	72	72						
Light Output (3000K)	505 lum/ft	316 lm/ft						
Average Power Consumption (for 15' section)	5.4 W/ft	3.2 W/ft						
Ordering Increment	1.0"	1.0"						
Pitch Length	0.16"	0.16"						
Efficacy lum/Watt	94 lm/W	99 lm/W						
Maximum Run Length (in series)	18 ft	24ft						
Dimensions	0.39" W 0.08" H	0.39" W 0.08" H						
			1900K	0.63	96	94	97	
			2200K	0.68	96	95	101	
			2400K	0.72	98	97	101	
			2700K	0.76	97	96	101	
			2900K	0.82	98	96	102	
			3000K	1.00	97	95	104	
			3500K	1.05	97	94	105	
			4100K	1.37	97	90	99	

**Section Start/End Options**

No Connector



Soldered Leads (72")



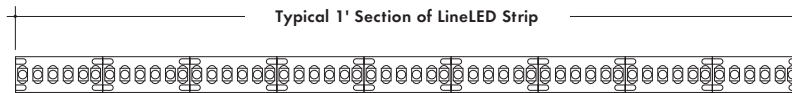
**Ordering Code**

MODEL	CCT	SECTION START	SECTION END	LENGTH
<b>LL72</b>	<b>19K</b>	<b>SL</b>	<b>NC</b>	
LL72 - LL72 Very High Output LL72-LO - LL72 Low Output	19K - 1900K 22K - 2200K 24K - 2400K 27K - 2700K 29K - 2900K 30K - 3000K 35K - 3500K 41K - 4100K	SL - Soldered lead wires (72") NC - No connector	SL - Soldered lead wires (72") NC - No connector	View table above for increment options and maximum run limits

### Power Consumption Per Fixture Length

Based on operation with PSD series of power supplies.

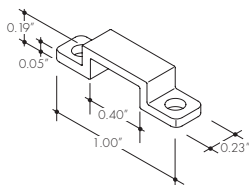
Length of Strip (LF)	LL72		LL72-LO	
	W/ft	Total Wattage	W/ft	Total Wattage
1	6.75	6.75	4.20	4.20
2	6.75	13.50	4.30	8.60
3	6.65	19.95	4.03	12.10
4	6.55	26.20	4.02	16.10
5	6.45	32.25	3.92	19.60
6	6.40	38.40	3.83	23.00
7	6.25	43.75	3.74	26.20
8	6.15	49.20	3.70	29.60
9	6.00	54.00	3.61	32.50
10	5.90	59.00	3.54	35.40
11	5.80	63.80	3.48	38.30
12	5.70	68.40	3.41	41.00
13	5.60	72.80	3.37	43.90
14	5.50	77.00	3.32	46.50
15	5.40	81.00	3.26	48.90
16	5.30	84.80	3.20	51.30
17	5.25	89.25	3.14	53.50
18	5.15	92.70	3.10	55.90
19			3.04	57.80
20			2.98	59.70
21			2.92	61.40
22			2.86	63.10
23			2.82	65.00
24			2.77	66.70



### Accessories

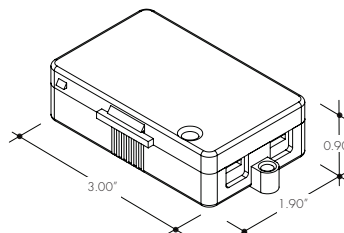
Mounting clip:  
recommended at every 12" when  
lineLED strip is facing down.

Part # CL-1



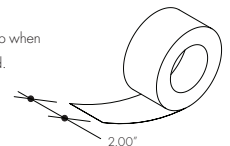
Splice Box:  
low voltage, 4 terminal  
splice box, black.

Part # LVSP-4T-BK



Heat sink tape:  
included with LineLED strip when  
no extrusions are ordered.

Part # HST



Lens Options / Light Transmission Percentage Per Lens

- C**  
Clear
- HF**  
Half (50%)  
Frosted
- G**  
Graze
- SI**  
Satin Ice
- S**  
Square  
Frosted
- Q**  
Round Square  
Frosted
- F**  
Frosted
- M**  
Medium Beam  
Frosted
- R**  
Raised
- C36**  
Clear 36°  
Beam Angle
- C10**  
Clear 10°  
Beam Angle

<p><b>KS Channel (KSC-XX)</b></p> <p><b>C</b> <b>F</b> <b>HF</b> <b>C36</b> <b>R</b></p> <p>85% 55% 72% 83% 51%</p>	<p><b>KM Channel (KMC-XX)</b></p> <p><b>C</b> <b>F</b> <b>HF</b> <b>C10</b> <b>R</b></p> <p>71% 42% 58% 67% 39%</p>	<p><b>K45V Channel (K45VC-XX)</b></p> <p><b>C</b> <b>F</b> <b>HF</b> <b>C10</b></p> <p>71% 42% 58% 67%</p>	<p><b>K45R Channel (K45RC-XX)</b></p> <p><b>F</b></p> <p>42%</p>	<p><b>BOS Channel (BOSC-XX)</b></p> <p><b>F</b> <b>SI</b> <b>R</b> <b>G</b></p> <p>43% 56% 46% 67%</p>
<p><b>KL Channel (KLC-XX)</b></p> <p><b>C</b> <b>F</b> <b>HF</b></p> <p>83% 55% 68%</p>	<p><b>KXL Channel (KXLC-XX)</b></p> <p><b>C</b> <b>F</b> <b>HF</b></p> <p>74% 46% 61%</p>	<p><b>CLA Channel (CLAC-XX)</b></p> <p><b>S</b> <b>Q</b></p> <p>62% 63%</p>	<p><b>ALC Channel (ALC-XX)</b></p> <p><b>C</b> <b>F</b> <b>HF</b></p> <p>79% 58% 69%</p>	<p><b>KRS Channel (KRSC-XX)</b></p> <p><b>C</b> <b>F</b> <b>HF</b></p> <p>85% 55% 72%</p>
<p><b>KRM Channel (KRMC-XX)</b></p> <p><b>C</b> <b>F</b> <b>HF</b></p> <p>71% 42% 58%</p>	<p><b>KRL Channel (KRLC-XX)</b></p> <p><b>C</b> <b>F</b> <b>HF</b></p> <p>83% 55% 68%</p>	<p><b>KRXL Channel (KRXLC-XX)</b></p> <p><b>C</b> <b>F</b> <b>HF</b></p> <p>74% 46% 61%</p>	<p><b>Wall+ Channel (WPC-XX)</b></p> <p><b>C</b> <b>F</b></p> <p>47% 44%</p>	<p><b>RO Channel (RO-XX)</b></p> <p><b>C</b> <b>F</b></p> <p>75% 52%</p>
<p><b>ALS20 Channel (ALS20-XX)</b></p> <p><b>C</b> <b>F</b></p> <p>78% 43%</p>	<p><b>FL Channel (FL-XX)</b></p> <p><b>C</b> <b>F</b> <b>HF</b></p> <p>85% 63% 75%</p>			

**Installation**

All mounting channels are field cuttable using miter saw with circular blade suitable for cutting aluminum.

**Ordering**

Extrusions are sold separately. View respective specsheets for details on ordering extrusions and their accessories (endcaps, mounting brackets, etc).

**Discontinued Extrusion Reference Link**

<https://www.luminii.com/media/4351/extrusion-update-02.pdf>

**LED Dotting Per Extrusion**

Using the frosted lens option

Extrusion	LED Models	
	LL72	LL72-LO
<b>KSC, KRSC, FL, ALC</b>	ND	ND
<b>KMC, KRMC, K45VC, K45RC</b>	ND	ND
<b>KXLC, KRXLC</b>	ND	ND
<b>KLC, KRLC</b>	ND	ND
<b>WPC</b>	ND	ND
<b>RO, ALS20</b>	ND	ND
<b>BOSC</b>	ND	ND
<b>CLAC</b>	ND	ND



Clear Dotting (CD)    Slight Dotting (SD)    NO Dotting (ND)

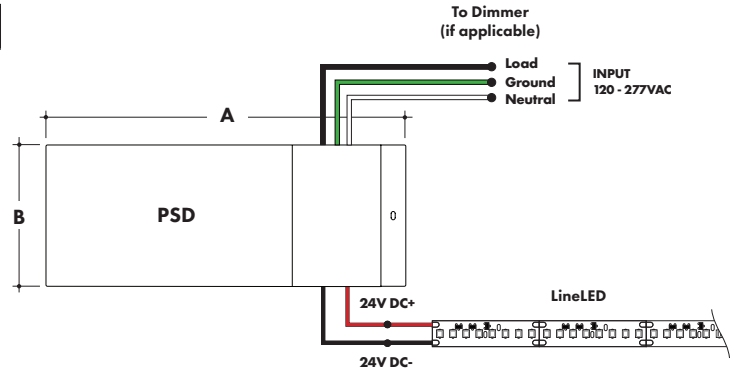
## Power Supply

See fixture and power supply instructions & spec sheet for wiring information. Dimming possible in select models - view Luminii website for list of compatible dimmers.

### Magnetic Low Voltage Dimming Power Supplies

MODEL	POWER	OUTPUT	INPUT
<b>PSD</b>	<b>48</b>	<b>24</b>	
PSD - PSD Series dims down to 0%	48 - 48 Watt 96 - 96 Watt 288 - 288 Watt (3 x 96Watt)	24 - 24 VDC	Blank - 120 V 240 - 240 V 277 - 277 V

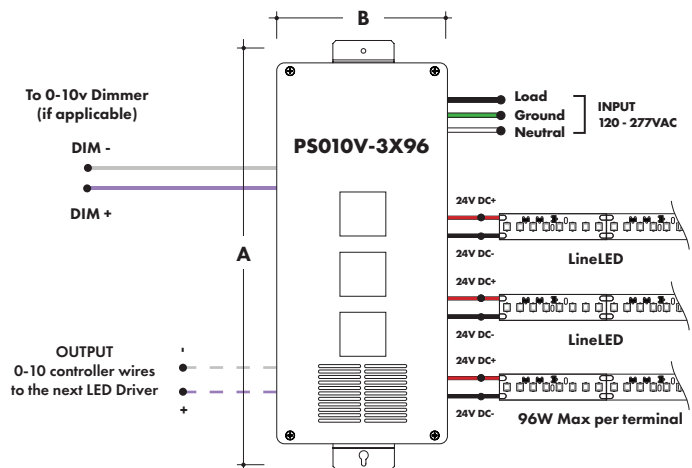
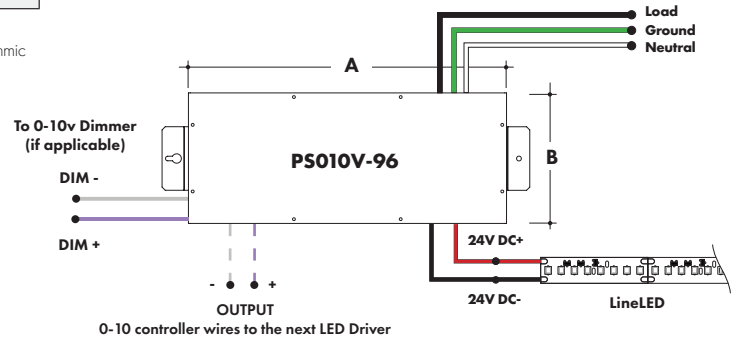
MODELS	PSD 48	PSD 96	PSD 288
<b>A Length</b>	11.25"	11.25"	13.06"
<b>B Width</b>	3.42"	3.42"	8.42"
<b>Depth</b>	3.42"	3.27"	4.47"



### 0-10V Dimming Power Supplies

MODEL	POWER	OUTPUT	DIMMING
<b>PS010V</b>	<b>96</b>	<b>24</b>	<b>LIN</b>
PS010V - 0-10V Power Supply dims down to 0%	96 - 96 Watt 3X96 - 3 X 96 Watt	24 - 24 VDC	LIN - Linear LOG - Logarithmic

MODELS	96W	3X96
<b>A Length</b>	14.40"	15.75"
<b>B Width</b>	5.20"	6.62"
<b>Depth</b>	2.60"	4.95"



## Power Supply

See fixture and power supply instructions & spec sheet for wiring information. Dimming possible in select models - view Luminii website for list of compatible dimmers.

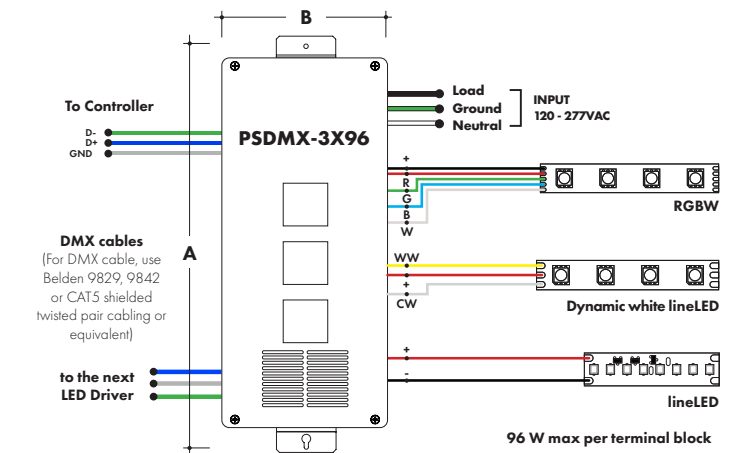
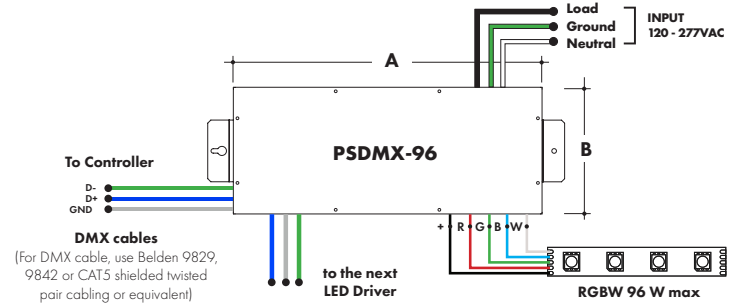
### DMX Dimming Power Supplies

MODEL	POWER	OUTPUT
<b>PSDMX</b>	<b>96</b>	<b>24</b>

PSDMX - DMX Power Supply    96 - 96 Watt    24 - 24 VDC  
 3X96 - 3 X 96 Watt

Features eldoLED's LINEARdrive configurable dimmable drivers

MODELS	96W	3X96
<b>A Length</b>	14.40"	15.75"
<b>B Width</b>	5.20"	6.62"
<b>Depth</b>	2.60"	4.95"



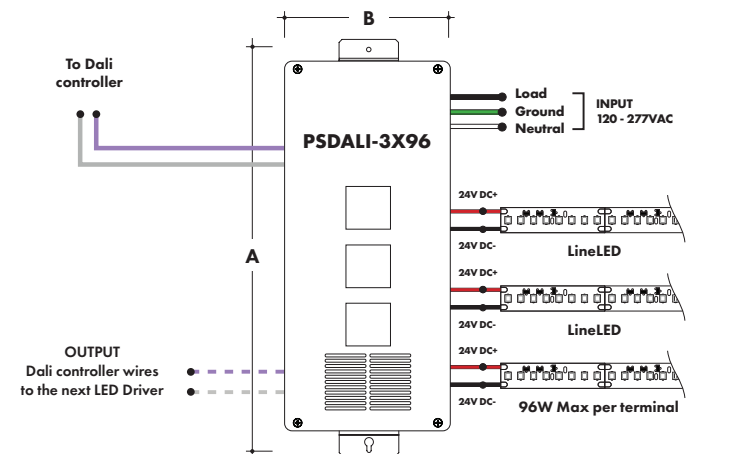
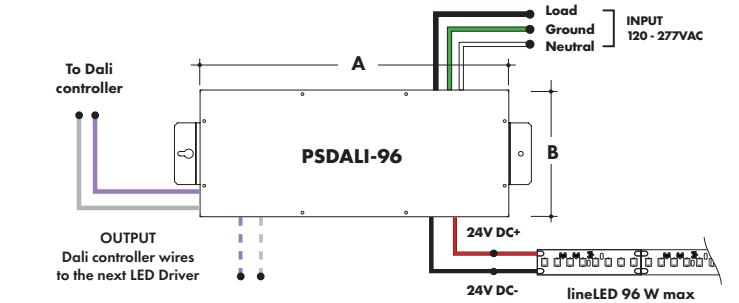
### DALI Dimming Power Supplies

MODEL	POWER	OUTPUT
<b>PSDALI</b>	<b>96</b>	<b>24</b>

PSDALI - DALI Power Supply    96 - 96 Watt    24 - 24 VDC  
 dims down to 0%    3X96 - 3 X 96 Watt

Features eldoLED's LINEARdrive configurable dimmable drivers

MODELS	96W	3X96
<b>A Length</b>	14.40"	15.75"
<b>B Width</b>	5.20"	6.62"
<b>Depth</b>	2.60"	4.95"



### Power Supply

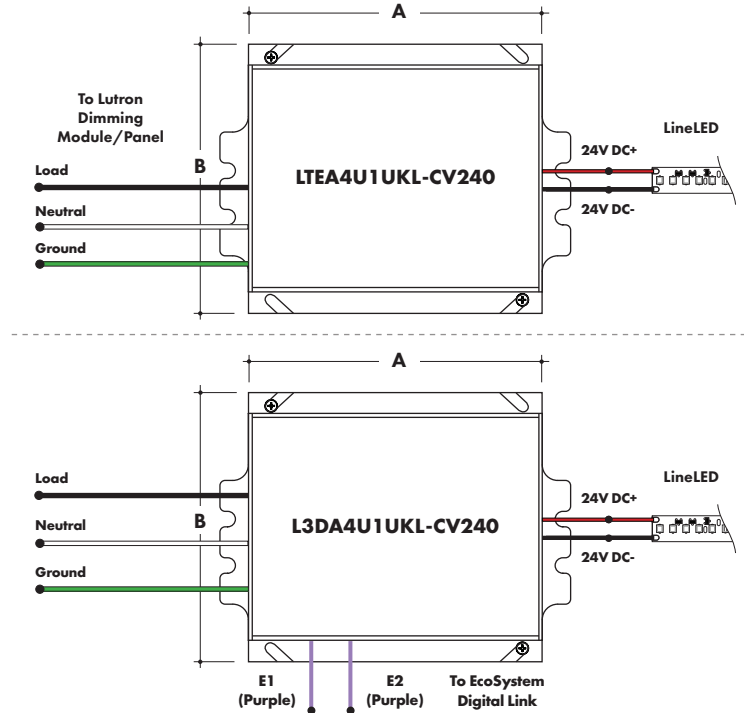
See fixture and power supply instructions & spec sheet for wiring information. Dimming possible in select models - view Luminii website for list of compatible dimmers.



Luminii is a Lutron OEM Advantage Partner

MODEL	MODEL
<b>LTEA4U1UKL-CV240</b>	<b>L3DA4U1UKL-CV240</b>
Lutron - HiLume™ 1% 2-wire LED Driver (120V forward phase only)	HiLume™ 1% EcoSystem Voltage LED driver

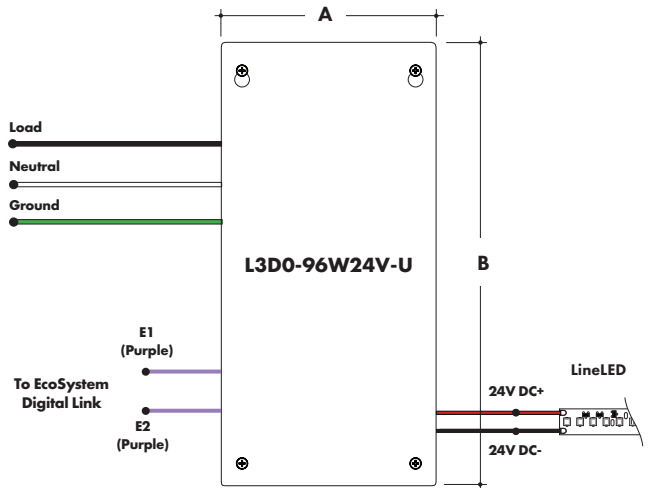
MODELS	LTEA4U1UKL-CV240	L3DA4U1UKL-CV240
<b>A Length</b>	4.89"	4.98"
<b>B Width</b>	4.00"	4.00"
<b>Depth</b>	2.62"	2.62"



Luminii is a Lutron OEM Advantage Partner

MODEL
<b>L3D0-96W24V-U</b>
HiLume™ 0.1% EcoSystem Voltage LED Driver with Soft-On, Fade-to-Black™

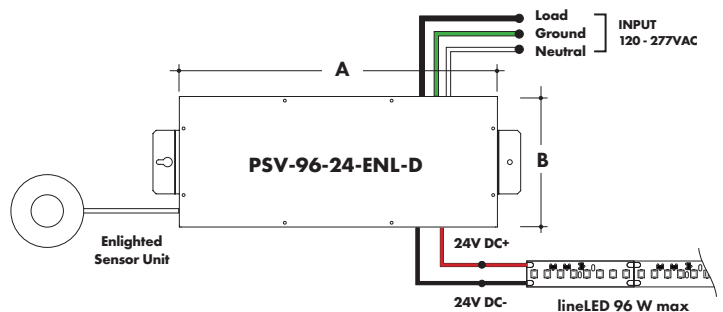
MODELS	L3D0
<b>A Length</b>	10.50"
<b>B Width</b>	5.50"
<b>Depth</b>	2.00"



### Enlighted Enabled Dimming Power Supplies:

MODEL	POWER	OUTPUT	DIMMING	LOCATION
<b>PSV</b>	<b>96</b>	<b>24</b>	<b>ENL</b>	<b>D</b>
PSV - PSV Series	96 - 96 Watt	24 - 24 VDC	ENL - Enlighted Dimming	D - Damp

MODELS	96 W
<b>A Length</b>	14.40"
<b>B Width</b>	5.20"
<b>Depth</b>	2.60"



## Power Supply

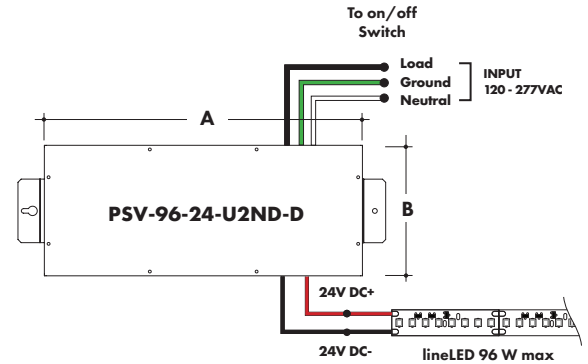
See fixture and power supply instructions & spec sheet for wiring information. Dimming possible in select models - view Luminii website for list of compatible dimmers.

### Non-Dimming Power Supply

MODEL	POWER	OUTPUT	DIMMING	LOCATION
<b>PSV</b>	<b>96</b>	<b>24</b>	<b>U2ND</b>	<b>D</b>

PSV - PSV Series    96 - 96 Watt    24 - 24 VDC    U2ND - Non Dimming    D - Damp

MODELS	96W
<b>A Length</b>	14.40"
<b>B Width</b>	5.20"
<b>Depth</b>	2.60"

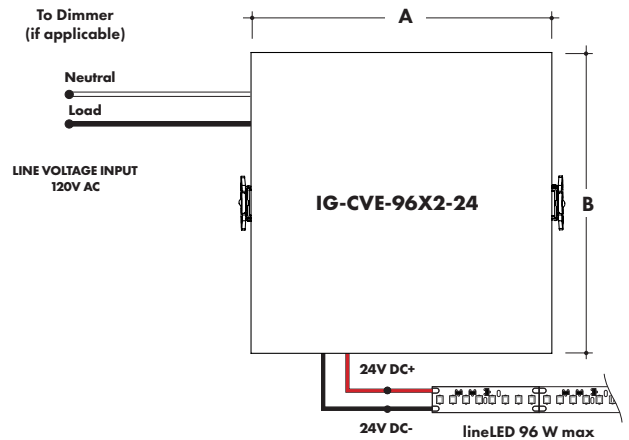


### In ground, Electronic Low Voltage Dimming Power Supplies

MODEL	POWER	OUTPUT	INPUT
<b>IG</b>	<b>CVE</b>	<b>96X2</b>	<b>24</b>

IG - In ground CVE Series    CVE - ELV Dimming DALI - eldoLED Dali dimming  
 Both dims down to 0.1%  
 96X2 - 2 X 96 Watt    24 - 24 VDC    Blank - 120 V 277 - 240/277 V

MODELS	DUAL CIRCUIT
<b>A Length</b>	8.40"
<b>B Width</b>	8.30"
<b>Depth</b>	8.10"

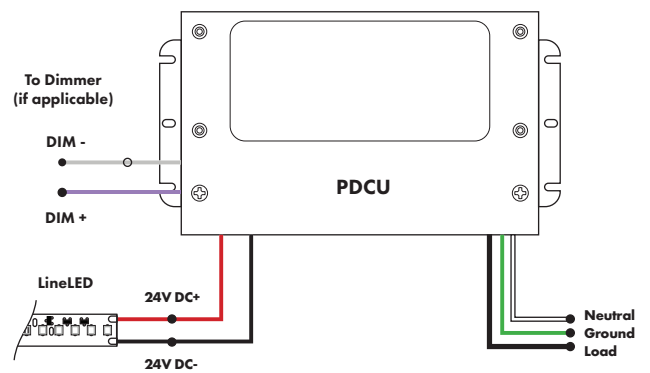


### Universal Power Supply

MODEL	POWER	OUTPUT
<b>PDCU</b>	<b>30</b>	<b>24</b>

PDCU - PDCU Series    30 - 30 Watt    24 - 24 VDC  
 PDCUe - PDCUe Series    60 - 60 Watt  
    96 - 96 Watt  
    3X96 - 3x96 Watt

- 0-10V - 1% dimming
- MLV/ELV/TRIAC - 1% dimming



MODELS	PDCU 30W	PDCUe 30W	PDCU 60W	PDCUe 60W	PDCU 96W	PDCUe 96W	PDCU 3X96W	PDCUe 3X96W
<b>A Length</b>	6.50"	6.10"	7.40"	7.93"	8.66"	8.25"	11.85"	9.57"
<b>B Width</b>	3.73"	3.35"	3.73"	3.35"	3.73"	4.10"	4.32"	5.94"
<b>Depth</b>	1.61"	1.33"	1.61"	1.32"	1.61"	1.56"	1.81"	1.13"