



Please read entire guide prior to starting installation.

Sections:

- *Pre-Installation*
- *Single Run*
- *Fed From Both Ends*

NOTES

1. IP40 and lower tape must be installed indoors only. Installing outdoors will void the warranty.
2. Installation must be carried out by a licensed electrician & executed in accordance with local codes.
3. The installing contractor assumes all liability for the safety and code compliance of the installation.
4. Optic Arts is not liable for any damages caused by improper wiring, driver overloading, driver under-loading, power surges, poor system design or layout, negligence or other conditions.



213.250.6069
info@opticarts.com
www.opticarts.com

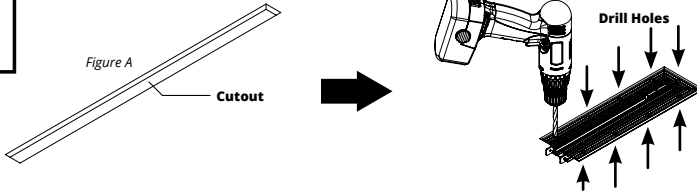


SLOT INSTALLATION GUIDE

Indoor IP20

Pre-Installation

1.

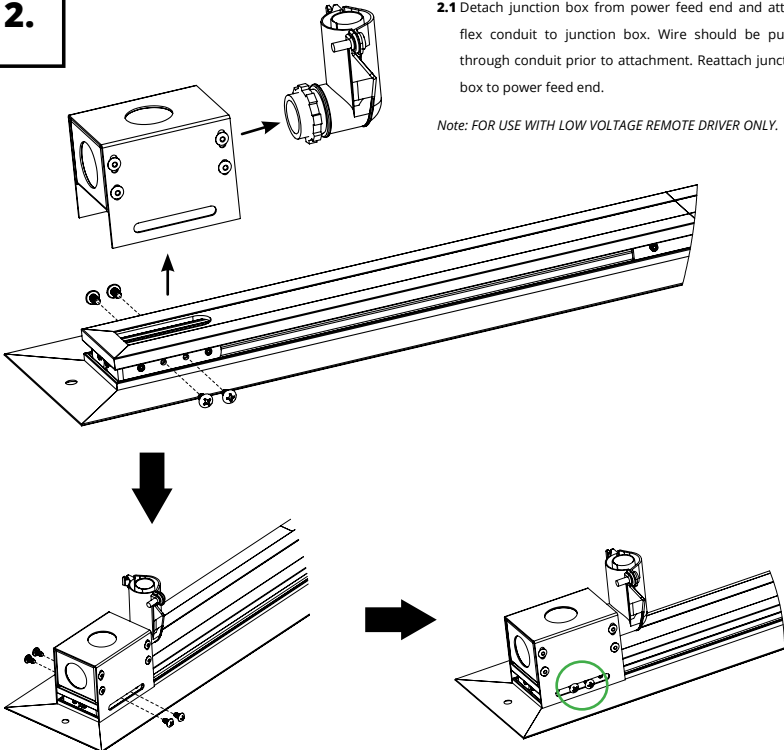


1.1 Use a hand saw (or similar) to cut out opening in ceiling for Slot fixture. Cutout size is Luminous Length plus 5-3/8" (See Figure A).

1.2 Drill holes in mounting flanges and countersink the holes to fit #8 Drywall Screws. Screw spacing will depend on field conditions.

Note: Be sure to screw into studs, furring channel or similar structure.

2.



2.1 Detach junction box from power feed end and attach flex conduit to junction box. Wire should be pulled through conduit prior to attachment. Reattach junction box to power feed end.

Note: FOR USE WITH LOW VOLTAGE REMOTE DRIVER ONLY.

Optic Arts reserves the right to modify this specification without prior notice.

SLOT INSTALLATION GUIDE

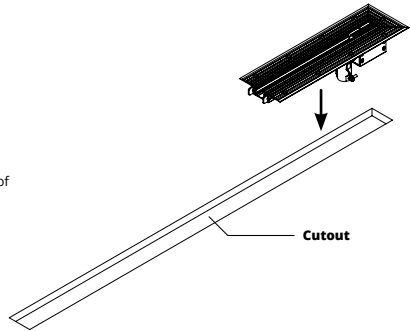
Indoor IP20

3.

3.1 Install Slot fixture into ceiling cutout. Be sure to align the end of the Slot fixture with the end of the cutout.

3.2 Mount into drywall with #8 Drywall Screws.

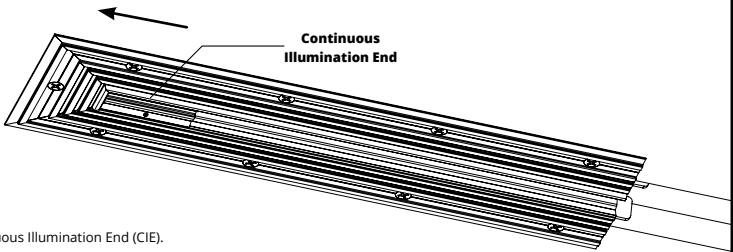
Note: Be sure to screw into studs, furring channel or similar structure.



4.

4.1 Install Continuous Illumination End (CIE).

4.2 Move CIE out of the way and pull wire from FLEX Conduit to the fixture.



5.

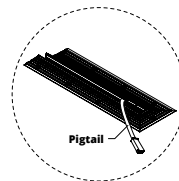
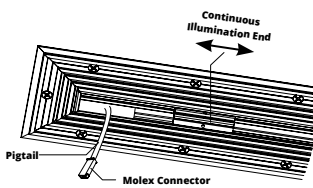
5.1 Detach junction box from power feed end and attach flex conduit to junction box. Wire should be pulled through conduit prior to attachment. Reattach junction box to power feed end.

5.1 Install Molex fitting.

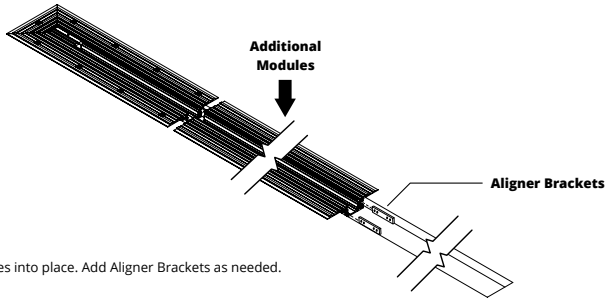
5.2 Push connection into junction box leaving a "Pigtail".

5.3 Slide "Pigtail" under CIE.

5.4 Slide CIE into place and secure with included set screws.



6.

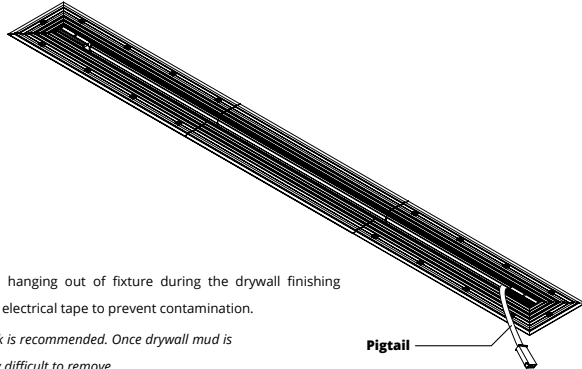


6.1 Slide additional modules into place. Add Aligner Brackets as needed.

6.2 Mount into drywall with drywall screws with #8 Drywall Screws.

Note: Be sure to screw into studs, furring channel or similar structure.

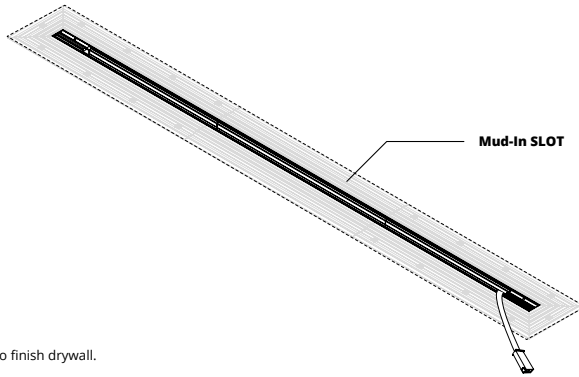
7.



7.1 Be sure to leave Pigtail hanging out of fixture during the drywall finishing process. Wrap ends with electrical tape to prevent contamination.

Note: Electrical function check is recommended. Once drywall mud is in place the fixture will be very difficult to remove.

8.



8.1 Drywall Contractor to finish drywall.

8.2 Protect the entire inside of the channel using blue contractor's tape or similar.

8.3 Apply drywall tape along mud flanges.

8.4 Apply joint compound, sand and paint.

8.5 Durabond joint compound or similar should be used. Premixed joint compounds should not be used.

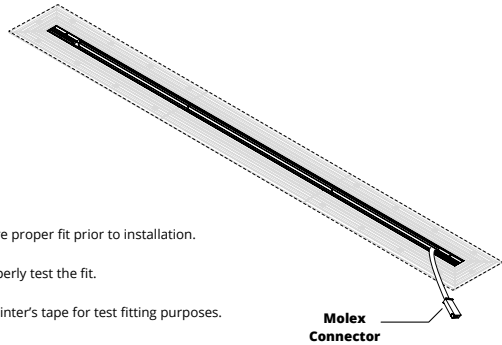
8.6 Ensure that surface is perfectly smooth without bumps or imperfections.

8.7 Remove protective tape from channel and clean with isopropyl alcohol. Do not use mineral spirits or paint thinner.

Note: If unsure about dust or debris, apply contractor's tape in channel to check for adhesion.

Single Run

1.



- 1.1** Test fit the LED strip in the channel to ensure proper fit prior to installation.
- 1.2** Two or three people may be needed to properly test the fit.
- 1.3** LED strip can be temporarily affixed with painter's tape for test fitting purposes.
Take care not to damage the LED phosphor.
- 1.4** Start with the power feed end of the LED strip and the power feed end of the channel.
- 1.5** Attach strip connector to connector coming out of fixture junction box.
- 1.6** Slide connectors under CIE and into junction box.
- 1.7** Carefully remove the liner on the back of the LED strip to expose the adhesive.
- 1.8** Position the strip so that approximately one LED is underneath the CIE.
- 1.9** Continue to remove liner and install LED strip, working your way down the length of the fixture.
- 1.10** Use your fingers to carefully but firmly press down on the strip.
- 1.11** When you get to the non-power feed end of the channel, trim the strip on the printed cutting line as needed and tuck excess strip inside CIE.

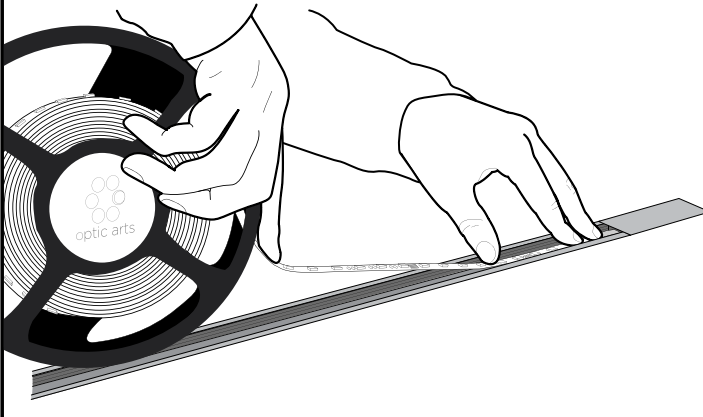
2.

2.1 Carefully remove the backing about 6" from the LED Strip making sure not to remove the tape from the LED Strip. Remove the backing slowly and methodically.

2.2 Firmly press the adhesive back of the LED Strip onto the channel surface, making sure there are no air bubbles, so that the LED Strip is straight and parallel to the channel opening.

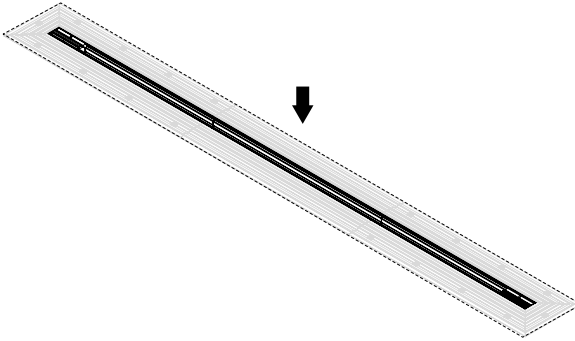
2.3 Continue affixing the LED Strip until you get to CIE at the Non-Power feed end. Push the excess LED Strip inside the CIE.

Note: The entire length of the channel should be covered with LED Strip. There should not be any non-illuminated areas.



Fed From Both Ends

1.

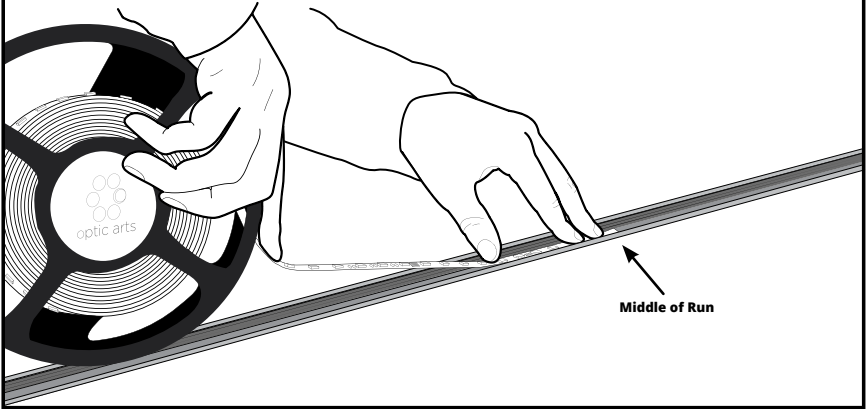


- 1.1** Find and mark the center point of the entire fixture run.
- 1.2** Test fit the LED strip in the channel to ensure proper fit prior to installation. Two or three people may be needed to properly test fit.
- 1.3** LED strip can be temporarily affixed with painter's tape for test fitting purposes. Take care not to damage the LED phosphor.
- 1.4** Ensure that each strip is cut to the proper length to allow it to run from the centerline of the fixture into the CIE to provide continuous illumination without the need for any additional trimming. No trimming will be possible on the power feed end.
- 1.5** If trimming is needed, trim the dead end now.
- 1.6** Once strips are confirmed to be the proper length, start the installation of one of the strips.
- 1.7** Carefully remove the liner from the dead end of the strip and install 1/16" from the center line. A small gap between strip dead ends is needed to prevent contact between the strips.
- 1.8** Continue to remove liner and install LED strip, working your way down the length of the fixture.
- 1.9** Use your fingers to carefully but firmly press down on the strip.
- 1.10** When you get to the power feed end, connect the power connector to the strip prior to fully installing the end of the LED strip.
- 1.11** Remove the rest of the liner and slide all the wiring under the CIE and out of sight.
- 1.12** Install the last section of the strip.
- 1.13** Repeat the process for the other strip.

Fed From Both Ends

2.

- 2.1** Start in the middle of the run.
- 2.2** Mark the center point of the run.
- 2.3** Start the first leg to the LED strip at the center point and work towards the powered end.
- 2.4** Be sure to start with the end WITHOUT the lead. Carefully remove the backing about 6" from the LED Strip making sure not to remove the tape from the LED Strip.
- 2.5** Firmly press the adhesive back of the LED Strip onto the channel surface.
- 2.6** Remove the backing slowly and methodically.
- 2.7** Make sure there are no air bubbles.
- 2.8** Be sure the LED Strip is straight and parallel to the channel opening.
- 2.9** Continue affixing the LED Strip until you get to CIE at the Power feed end.



Fed From Both Ends

3.

3.1 The Molex connector should be hanging out of the fixture.

3.2 Attach the Molex connector from fixture to mating Molex connector on LED Strip.

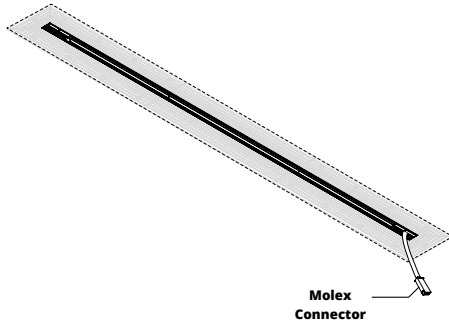
3.3 Carefully remove the remaining backing from the LED Strip making sure not to remove the tape from the LED Strip.

3.4 Place a portion of the LED Strip inside CIE and affix to channel.

3.5 The entire length of the channel should be covered with LED Strip.

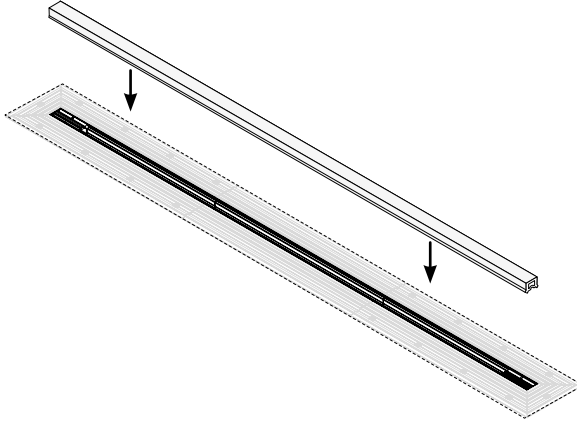
3.6 There should not be any non-illuminated areas.

3.7 Repeat for second leg of run.



Fed From Both Ends

4.



4.1 Start at one end of fixture and push lens into channel while moving down the length of the fixture. If another person is available, have them hold the end of the lens against the end of the channel as you install. The lens has a tendency to slide away from the end of the channel as you install a long run. If the lens needs to be trimmed, carefully trim the end with a razor blade.