



### Features

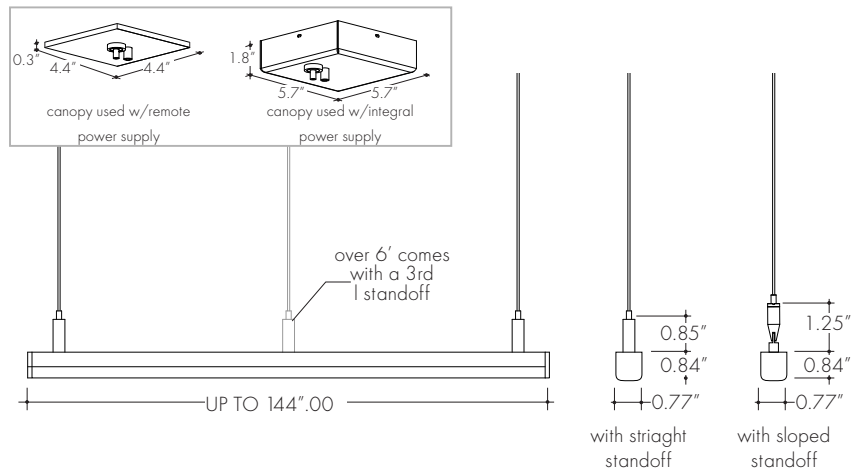
- 24VDC Class 2 fixtures made to order up to 144"
- Comes with 8ft silver adjustable cable and white finish canopy
- Vibrant colors with R9 values up to 98
- Single micro binned LEDs +/- 30 CCT
- Dims with minimal color shift
- Class 2 listed for damp locations
- 5 Year warranty

### Finish options



- Silver anodized
- Black powder coated
- Bronze powder coated
- White powder coated

### Profile dimensions



### Technical information

#### OUTPUT OPTIONS

Output	Lumens at 3000K	Average power consumption at 4'	Lumens / Watt	Maximum length (per 96W power supply)
HO (LL36X2)	348 lm/ft	6.5 W/ft	54 lm/W	144"
VHO (LL54X2)	518 lm/ft	10.4 W/ft	50 lm/W	120"

#### CCT INFO/LUMEN MULTIPLIER

Color temperature	Multiplier (reference - 3000K)	TM-30-15		
		CRI	R <sub>f</sub>	R <sub>g</sub>
2200K	0.87	86	87	98
2400K	0.73	98	95	102
2700K	0.81	97	95	101
2900K	0.86	97	94	101
3000K	1.00	91	89	98
3500K	1.05	94	90	102
4100K	1.28	94	86	96

### Ordering code

MODEL	LENGTH	CCT	OUTPUT	LENS	STANDOFF TYPE	FINISH	POWER FEED
CLQ - Clareo Q	12" - 144" 4" increments	22K - 2200 K 24K - 2400 K 27K - 2700 K 29K - 2900 K 30K - 3000 K 35K - 3500 K 41K - 4100 K	HO - High VHO - Very High	RF - Rounded Square Frosted	S - Straight P - Sloped	SA - Silver BK - Black BZ - Bronze WH - White (BK, BZ, WH finishes will have an upcharge and require longer lead times)	R - Remote power supply (select on page 3)

\* If using these powerfeed options, reference power consumption chart on page 2, to not overload the system wattage.

\*INT120 - Lutron Hi-Lume A Series ELV dimming, Integral power supply 120VAC, MAX 40W, only up to 96" (VHO) with 2 integral power supplies

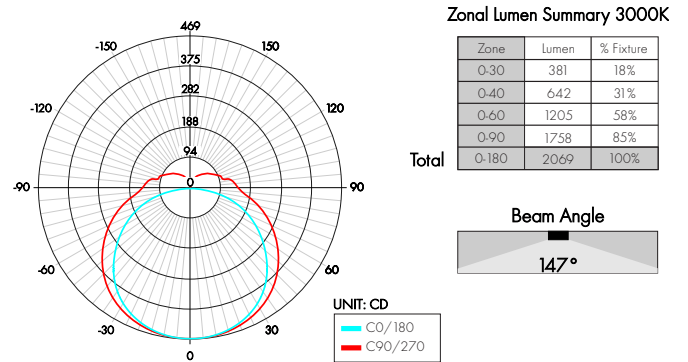
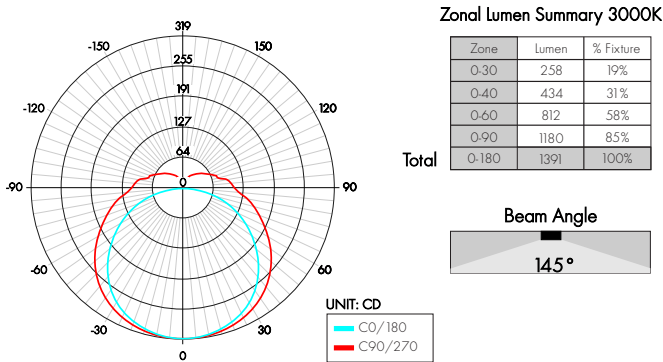
\*INT277 - LTF ELV dimming, Integral power supply 277VAC, MAX 60W only up to 120" (VHO) with 2 integral power supplies

\*INTECO - Lutron Hi-Lume A Series L3D Integral power supply 120-277VAC Ecosystem, MAX 40W, only up to 96" (VHO) with 2 integral power supplies

Photometry

CLQ-48-30K-HO-RF-XX

CLQ-48-30K-VHO-RF-XX



Power consumption per fixture length

Based on operation with PSD series of power supplies.



Nominal Length	Actual Length	HO		VHO		
		W/ft	Total wattage	Actual Length	W/ft	Total wattage
12"	13-2/16"	6.80	6.8	13-1/16"	10.80	10.8
16"	17 "	6.78	8.9	17 "	10.73	13.8
20"	21 "	6.76	11.5	21 "	10.67	16.8
24"	24-14/16"	6.75	13.5	24-15/16"	10.60	19.8
28"	28-13/16"	6.72	15.8	28-13/16"	10.50	23.5
32"	32-13/16"	6.69	17.9	32-13/16"	10.40	27.2
36"	36-11/16"	6.65	19.95	36-12/16"	10.30	30.9
40"	40-10/16"	6.62	22	40-11/16"	10.29	34.3
44"	44-10/16"	6.59	24	44-10/16"	10.28	37.7
48"	48-9/16"	6.55	26.2	48-9/16"	10.28	41.1
52"	52-8/16"	6.50	28	53-13/16"	10.27	44.6
56"	56-7/16"	6.45	30	57-12/16"	10.26	48.1
60"	60-6/16"	6.40	32	61-11/16"	10.25	51.6
64"	64-5/16"	6.37	34	65-10/16"	10.23	55.5
68"	70-3/16"	6.34	35.5	69-9/16"	10.22	59
72"	74-2/16"	6.30	37.8	73-8/16"	10.20	63.2
76"	78-1/16"	6.27	39.66	77-7/16"	10.17	66.2
80"	82-1/16"	6.24	41.5	81-7/16"	10.14	69.12
84"	85-15/16"	6.20	43.4	85-6/16"	10.10	72.1
88"	89-14/16"	6.17	45.2	89-4/16"	10.00	74.5
92"	93-13/16"	6.14	47	93-3/16"	9.96	76.9
96"	97-12/16"	6.10	48.8	97-3/16"	9.90	79.4
100"	101-12/16"	6.07	50.5	101-2/16"	9.87	82.3
104"	105-10/16"	6.04	52.3	105-1/16"	9.83	85.2
108"	109-10/16"	6.00	54	109 "	9.80	88.1
112"	113-9/16"	5.98	55.8	112-15/16"	9.77	90.7
116"	117-7/16"	5.97	57.7	116-14/16"	9.73	93.3
120"	121-7/16"	5.95	59.5	120-14/16"	9.70	96
124"	125-6/16"	5.92	61.1			
128"	129-4/16"	5.89	62.7			
132"	133-4/16"	5.85	64.35			
136"	137-3/16"	5.83	66			
140"	141-2/16"	5.81	67.9			
144"	145-1/16"	5.80	69.6			

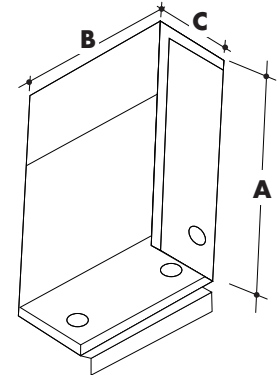
## Power supply

See fixture and power supply instructions & spec sheet for wiring information. Dimming possible in select models - view Luminii website for list of compatible dimmers.

### Magnetic Low Voltage Dimming Power Supplies:

MODEL	POWER	OUTPUT	INPUT
<b>PSD</b>	<b>48</b>	<b>24</b>	
PSD - PSD Series dims down to 0%	48 - 48 W 96 - 96 W 288 - 288 W (3x 96W)	24 - 24 VDC	Blank - 120 V 240 - 240 V 277 - 277 V

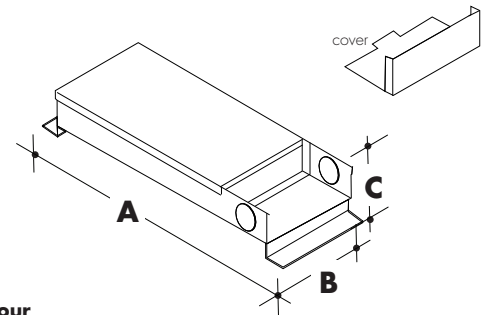
MODELS	PSD 48	PSD 96	PSD 288
<b>A Length</b>	11.25"	11.25"	13.06"
<b>B Width</b>	3.42"	3.42"	8.42"
<b>C Depth</b>	3.42"	3.27"	4.47"



### Electronic Low Voltage Dimming Power Supplies:

MODEL	CIRCUIT x POWER	OUTPUT	INPUT
<b>CVE</b>	<b>48D</b>	<b>24</b>	
CVE - CVE Series dims down to 0.1%	48D - 48W 48X2D - 2 x 48W 48X3D - 3 x 48W 48X4D - 4 x 48W 96D - 96W 96X2D - 2 x 96W 96X3D - 3 x 96W 96X4D - 4 x 96W	24 - 24 VDC	Blank - 120 V 277 - 240/277 V

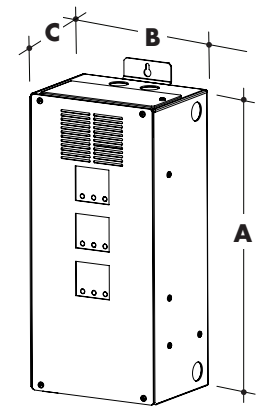
MODELS	Single circuit	Dual circuit	Three circuit	Four circuit
<b>A Length</b>	13.9"	13.8"	13.8"	13.8"
<b>B Width</b>	2.3"	4.0"	5.9"	7.75"
<b>C Depth</b>	1.3"	1.9"	1.9"	1.9"



### 0-10V Dimming Power Supplies:

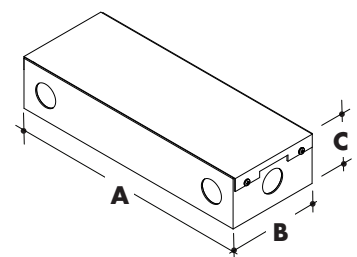
MODEL	POWER	OUTPUT	DIMMING
<b>PSO10V</b>	<b>3X96</b>	<b>24</b>	<b>LIN</b>
PSO10V - 0-10V Power Supply dims down to 0%	96 - 96 WATT 3X96 - 3 X 96 WATT	24 - 24 VDC	LIN - Linear LOG - Logarithmic

MODELS	96 W	3X96
<b>A Length</b>	14.40"	15.75"
<b>B Width</b>	5.20"	6.60"
<b>C Depth</b>	2.60"	4.80"



MODEL	POWER	OUTPUT	DIMMING	LOCATION
<b>PSV</b>	<b>40</b>	<b>24</b>	<b>U2DIM</b>	<b>D</b>
PSV - PSV Series dims down to 5%	40 - 40 W 60 - 60 W 96 - 96 W	24 - 24 VDC	U2DIM - Dimming 0-10V	D - Dry Location IP65 - Wet Location

MODELS	PSV Dry	PSV Wet
<b>A Length</b>	9.2"	9.5"
<b>B Width</b>	3.4"	4.12"
<b>C Depth</b>	1.9"	2.3"



## Power supply

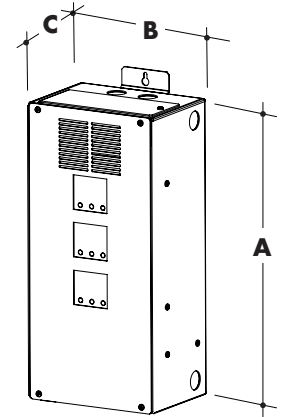
See fixture and power supply instructions & spec sheet for wiring information. Dimming possible in select models - view Luminii website for list of compatible dimmers.

### DMX Dimming Power Supplies:

MODEL	POWER	OUTPUT
<b>PSDMX</b>	<b>96</b>	<b>24</b>
PSDMX - DMX Power Supply	96 - 96 WATT 3X96 - 3 X 96 WATT	24 - 24 VDC

- Features eldoLED's LINEARdrive configurable dimmable drivers

MODELS	3X96 W
<b>A Length</b>	15.75"
<b>B Width</b>	6.60"
<b>C Depth</b>	4.80"

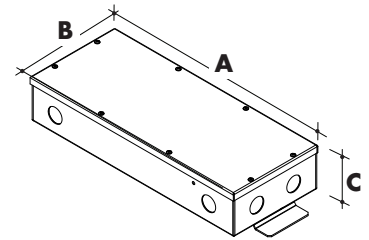


### DALI Dimming Power Supplies:

MODEL	POWER	OUTPUT
<b>PSDALI</b>	<b>96</b>	<b>24</b>
PSDALI - DALI Power Supply dims down to 0%	96 - 96 WATT 3X96 - 3 X 96 WATT	24 - 24 VDC

- Features eldoLED's LINEARdrive configurable dimmable drivers

MODELS	96 W
<b>A Length</b>	14.40"
<b>B Width</b>	5.20"
<b>C Depth</b>	2.60"



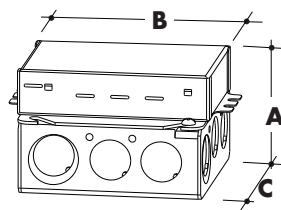
## LUTRON®

Luminii is a Lutron OEM Advantage Partner

MODEL		
<b>LTEA4U1UKL-CV240</b>		
Lutron -Hi-lume™ 1% 2-wire LED driver (120V forward phase only)		

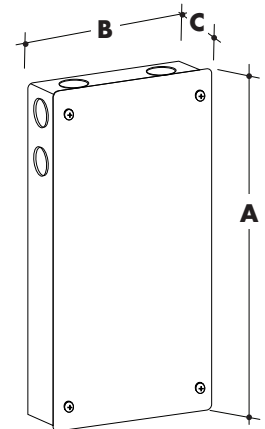
MODELS	LTEA	L3DA
<b>A Length</b>	4.89"	4.89"
<b>B Width</b>	2.66"	2.66"
<b>C Depth</b>	4.00"	4.00"

MODEL		
<b>L3DA4U1UKL-CV240</b>		
Hi-lume™ 1% EcoSystem Voltage LED Driver		



MODEL		
<b>L3DO-96W24V-U</b>		
Hi-lume™ 0.1% EcoSystem Voltage LED Driver with Soft-On, Fade-to-Black™		

MODELS	L3DO
<b>A Length</b>	10.50"
<b>B Width</b>	5.50"
<b>C Depth</b>	2.00"



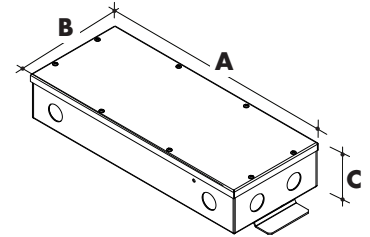
## Power supply

See fixture and power supply instructions & spec sheet for wiring information. Dimming possible in select models - view Luminii website for list of compatible dimmers.

### Enlighted Enabled Dimming Power Supplies:

MODEL	POWER	OUTPUT	DIMMING	Location
PSV	96	24	ENL	D
PSV - LED Power Supply	96 - 96 WATT	24 - 24 VDC	ENL - Enlighted Dimming	D - Damp

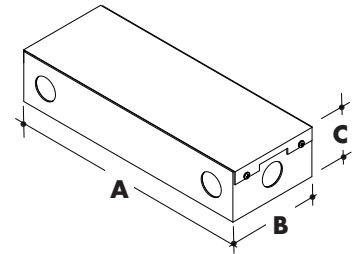
MODELS	96 W
A Length	14.40"
B Width	5.20"
C Depth	2.60"



### Non-Dimming Power Supplies:

MODEL	POWER	OUTPUT	DIMMING	LOCATION
PSV	40	24	U2ND	D
PSV - PSV Series	40 - 40 W 60 - 60 W 96 - 96 W	24 - 24 VDC	U2ND - Non Dimming	D - Dry Location IP65 - Wet Location

MODELS	PSV Dry	PSV Wet
A Length	9.2"	9.5"
B Width	3.4"	4.12"
C Depth	1.9"	2.3"



### In ground, Electronic Low Voltage Dimming Power Supplies:

MODEL	CIRCUIT x POWER	OUTPUT	INPUT
IG-CVE	96X2	24	
IG-CVE - In ground CVE Series <b>dims</b> down to 0.1%	96X2 - 2 x 96W	24 - 24 VDC	Blank - 120 V 277 - 240/277 V

MODELS	Dual circuit
A Length	8.0"
B Width	8.0"
C Depth	8.0"

