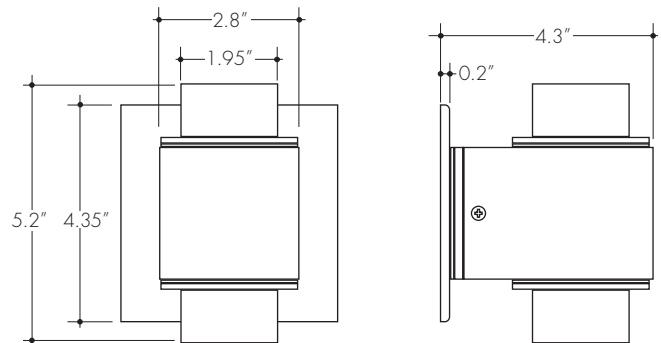


Architectural die cast aluminum LED wall fixture with acrylic diffuser is designed for IP65 outdoor usage. Two high performance LEDs with a total power of 4.25 watt and specially designed optics generate 67 lumen/watt. Up and down illumination for indoor and outdoor use. ADA compliant.



Technical information

Lens Color: White Opaque

Finish: Silver Aluminum

Light engine: 4.25 Watt

Efficiency: 277 lumens

Color temperature: 3000 K

CRI: 85

Rating: cETLus wet listed, IP65

Ordering code

MODEL	INPUT	COLOR TEMPERATURE	FINISH	DIMMING
KKN	120	30K	SL	ND
KKN - Knock Knock	120- 120V	30K - 3000 K	SL - Silver	ND - Non dimming