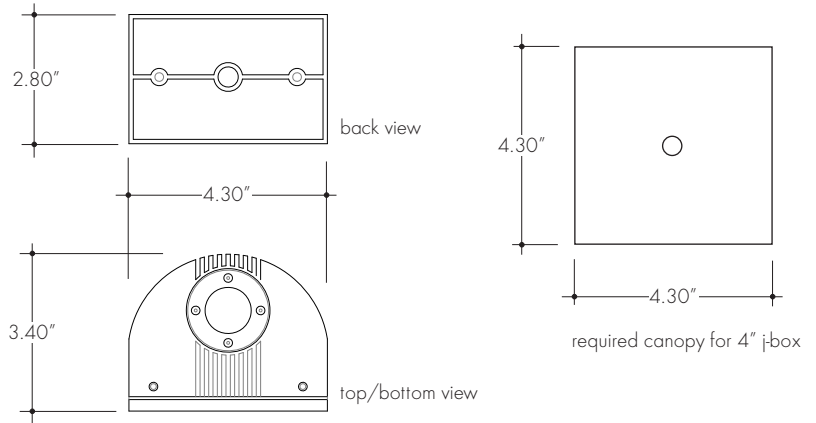
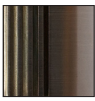


The Band sconce is an LED wall-mounted fixture suitable for indoor and outdoor applications. The Band is available in an up-and-downlight version (11 W) or just downlight version (5.5 W). The die-cast aluminum and tamper proof construction make for a durable and weather-proof fixture (IP65 rated). Bronze and Satin nickel plated finishes are not suitable for marine-grade/salt-water installation environments. Mounts to a horizontal single gang box or to a standard 4" inch box when installed with included canopy. ADA compliant.



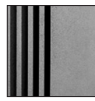
Finish options



Bronze plated



Satin nickel plated



Silver powder coated



White powder coated

Technical information

Light engine: 5.5 W (downlight only) and 11 W (up and down light) LEDs with integral driver

Light output: 252.5 lum (5.5 W version) and 505 lum (11 W version)

Efficiency: 45 lum/W

Color temperature: 3000 K / 4000 K

CRI: 82

Dimming: With low voltage electronic dimmer (not available for 277 V input)

Rating: cETLus wet listed, IP65

lighting facts
A Program of the U.S. DOE

Light Output (Lumens) **505**
Watts **11**
Lumens per Watt (Efficacy) **45**

Color Accuracy
Color Rendering Index (CRI) **82**

Light Color
Correlated Color Temperature (CCT) **4001 (Bright White)**

2700K 3000K 4500K 6500K

All results are according to IESNA LM-79-2008: Approved Method for the Electrical and Photometric Testing of Solid-State Lighting. The U.S. Department of Energy (DOE) verifies product test data and results.

Visit www.lightingfacts.com for the Label Reference Guide.

Registration Number: SK3Y-1XCKXH (10/10/2011)
Model Number: BA1130KNF-
Type: Outdoor wall pack



Ordering code

MODEL	WATTAGE	COLOR TEMPERATURE	BEAM SPREAD	FINISH	DIMMING	INPUT
BA	5	30K	NF	BZ	ND	Blank - 110 V
BA - Band	5 - 5.5 W 11 - 11.0 W	30K - 3000 K 40K - 4000 K	NF - 25° FL - 40°	BZ - Bronze SN - Satin nickel SL - Silver WH - White	ND - Non dimming D1 - Dimming	277 - 277 V