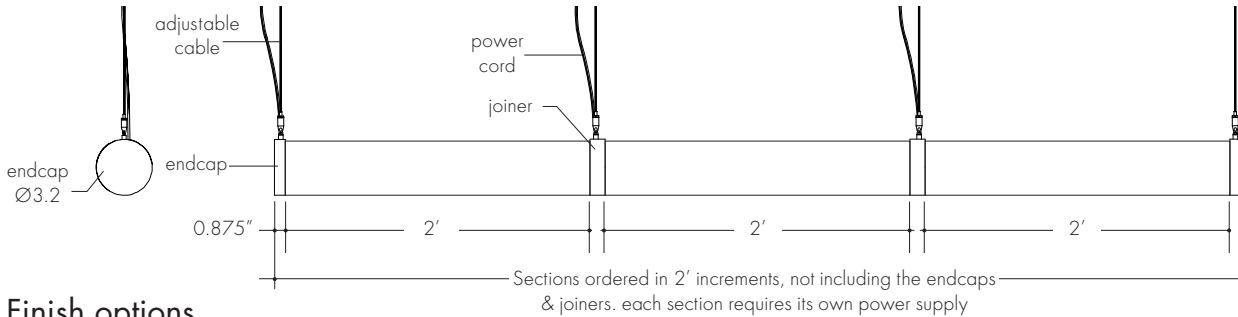
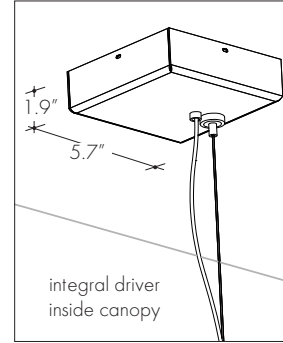


Cylinder shape with 360 degree diffused illumination. Available in one light output and connects multiple straight sections together. Scout straight sections are available from 2' through 8'. The fixture can be customized to fit a wide range of applications. Comes with a 8ft silver adjustable cable with sloped ceiling standoffs. Multiple integral driver options available.



Finish options



Technical information

Output Options		Power Load	
Output type	HO	Model	Wattage
Lumens at 3000K	599 lum/ft	48"	25 W
Average power consumption at 4'	7.7 W/ft	72"	42 W
Input Voltage	110 - 277 VAC	96"	50 W

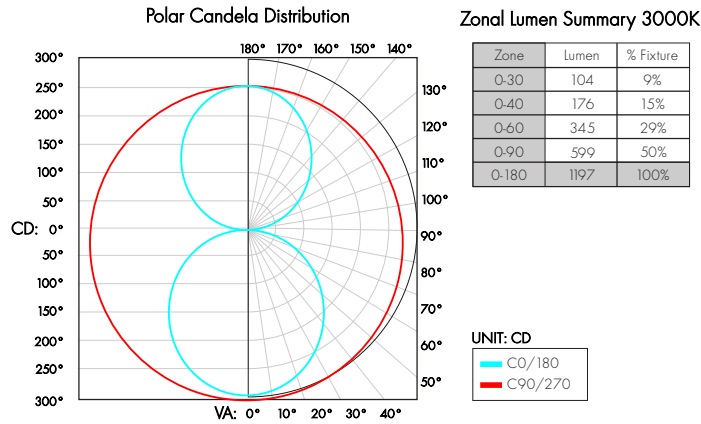
Ordering code

MODEL	ORIENTATION	SECTION LENGTH	NUMBER OF SECTIONS	CCT	OUTPUT	LENS	FINISH	DRIVER
SCT-JOIN	HR	2'	3	30K	HO	F	SL	DALI
SCT-JOIN - Scout straight joining system	HR - Horizontal	2' - 2' increments, up to 8' per section	# - number of sections needed to complete run	30K - 3000K 35K - 3500K 41K - 4100K	HO - High output	F - Frosted	SL - Silver BK - Black BZ - Bronze WH - White	DALI - eldoLED Dali D010 - eldoLED 0-10V Dimming *L3D - Lutron Ecosystem 3 wire *LDE1 - Lutron Ecosystem H-Series

*Not available with 8' option

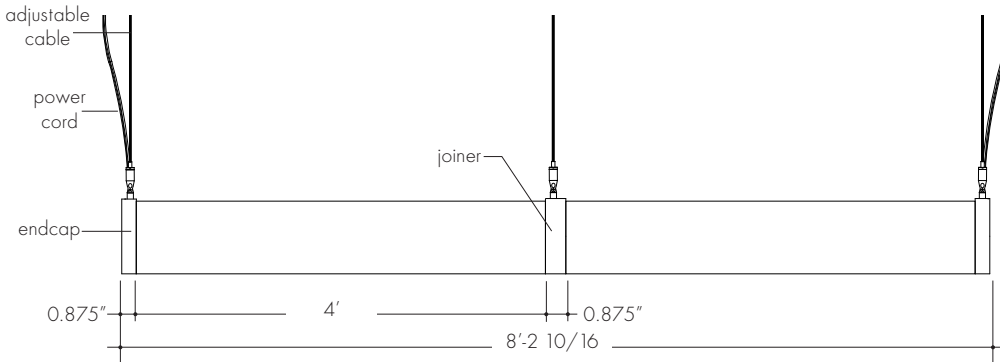
Photometry

SCT-XX-24-30K-HO-F-XX-D010



Sample Layout

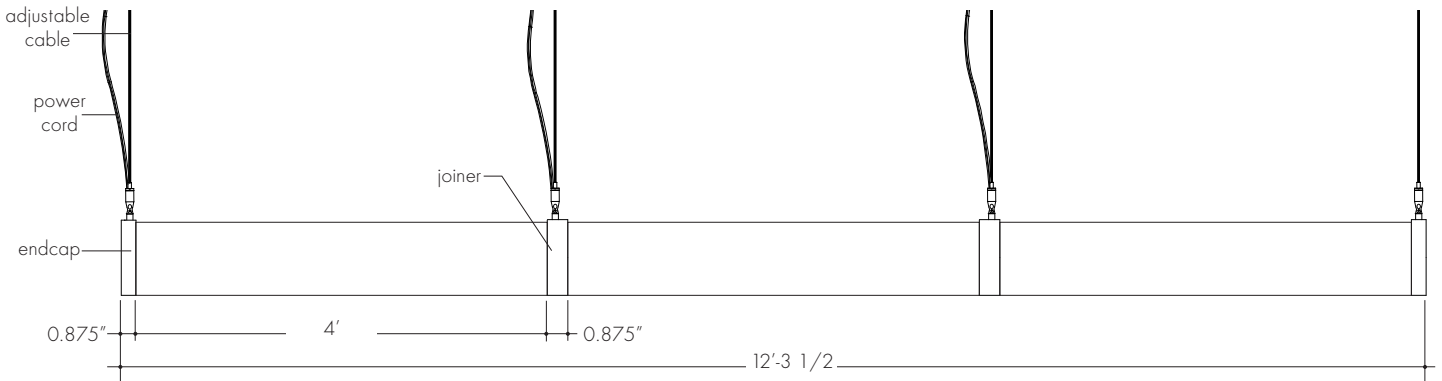
2 Section system: power cord located at the ends of the system



MODEL	ORIENTATION	SECTION LENGTH	NUMBER OF SECTIONS	CCT	OUTPUT	LENS	FINISH	DRIVER
SCT-JOIN	HR	4'	2	30K	HO	F	SL	DALI
SCT-JOIN - Scout straight joining system	HR - Horizontal	2' - 2' increments, up to 8' per section	# - number of sections needed to complete run	30K - 3000K 35K - 3500K 41K - 4100K	HO - High output	F - Frosted	SL - Silver BK - Black BZ - Bronze WH - White	DALI - eldoLED Dali D010 - eldoLED 0-10V Dimming *L3D - Lutron Ecosystem 3 wire *LDE1 - Lutron Ecosystem H-Series

* Not available with 8' option

Over 2 Section system: power cords located at every joiner and 1 endcap



MODEL	ORIENTATION	SECTION LENGTH	NUMBER OF SECTIONS	CCT	OUTPUT	LENS	FINISH	DRIVER
SCT-JOIN	HR	4'	3	30K	HO	F	SL	DALI
SCT-JOIN - Scout straight joining system	HR - Horizontal	2' - 2' increments, up to 8' per section	# - number of sections needed to complete run	30K - 3000K 35K - 3500K 41K - 4100K	HO - High output	F - Frosted	SL - Silver BK - Black BZ - Bronze WH - White	DALI - eldoLED Dali D010 - eldoLED 0-10V Dimming *L3D - Lutron Ecosystem 3 wire *LDE1 - Lutron Ecosystem H-Series

* Not available with 8' option