

LLX18 LLX22 LLX18X2

Line LED LLX series is a small profile high performance LED strip. The durable, but flexible products feature a heavier copper board core for better heat dissipation and even illumination over long runs.

Available in single or double row configurations ranging from 18 to 36 LEDs per foot with multiple power feed and connector options. Line LED LLX series feature outstanding color consistency with single binning and CRI up to 94.

Mounting

LLX strip is equipped with 3M™ adhesive transfer tape (9472LE). The strip must be adhered to either a luminii aluminum profile or an unpainted aluminum surface. For other surfaces the HST Aluminum heat sink tape will be required to reach the rated 50,000 hours average life

Applications

Indoor only - above and below cabinets, cove lighting, counter accent, architectural reveals, under banister, display and book cases, etc.

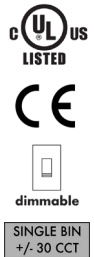
Approvals

Class 2 damp listed

Operating voltage
24 VDC

Average life
50,000 hours

Warranty
5 years



Technical information

MODEL	LLX18	LLX22	LLX18X2
LEDS/ft	18	22	36
Light output 3000K	390 lum/ft	446 lum/ft	683 lum/ft
Average power consumption (at 15' section) *4' section	4.3 W/ft	4.6 W/ft	*9.10 W/ft
Ordering increment	4.00"	1.13"	4.00"
Maximum run length (in series)	25 ft	20 ft	11 ft
Dimensions	0.39" W 0.08" H	0.39" W 0.09" H	0.59" W 0.09" H

CCT/LUMEN MULTIPLIER

Color temperature	Multiplier (Multiple Light Output of 3000K)	CRI
2200 K	0.83	70+
2700 K	0.81	91
2900 K	0.86	83
3000 K	1.00	93
3500 K	0.98	86
4100 K	1.06	94

SECTION START/END OPTIONS

Female connector
(will not work with LLX18X2)



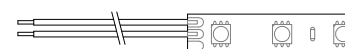
Male connector
(will not work with LLX18X2)



No connector
(will not work with LLX18X2)



Soldered leads (72")

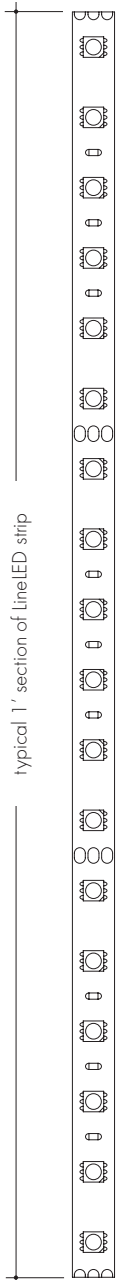


Ordering code

MODEL	COLOR TEMPERATURE	SECTION START	SECTION END	LENGTH
LLX18	22K	F	M	
LLX18	22K - 2200K	F - Female connector	F - Female connector	view table above for increment options and maximum run limits
LLX22	27K - 2700K	M - Male connector	M - Male connector	
LLX18X2	29K - 2900K	*SL - Soldered lead wires (72")	*SL - Soldered lead wires (72")	
	30K - 3000K	NC - No connector	*NC - No connector	
	35K - 3500K 41K - 4100K			

*only option available for LLX18X2

Power consumption per linear foot - loads tested with PSD series of power supplies (page3)



Length of strip (LF)	LLX18		LLX22		LLX18X2	
	W/ft	Total wattage	W/ft	Total wattage	W/ft	Total wattage
1	5.00	5.00	5.60	5.60	9.60	9.60
2	4.95	9.90	5.55	11.10	9.45	18.90
3	4.90	14.70	5.50	16.50	9.30	28.10
4	4.85	19.40	5.45	21.80	9.10	36.30
5	4.80	24.00	5.40	27.00	8.95	44.70
6	4.75	28.50	5.35	32.10	8.85	53.10
7	4.70	32.90	5.25	36.70	8.80	61.80
8	4.65	37.20	5.20	41.60	8.65	69.00
9	4.60	41.40	5.10	45.90	8.50	76.10
10	4.55	45.50	5.00	50.00	8.40	84.20
11	4.50	49.50	4.95	54.45	8.25	90.60
12	4.45	53.40	4.85	58.20		
13	4.40	57.20	4.80	62.40		
14	4.35	60.90	4.70	65.80		
15	4.30	64.50	4.60	69.00		
16	4.25	68.00	4.50	72.00		
17	4.20	71.40	4.45	75.65		
18	4.15	74.70	4.40	79.20		
19	4.10	77.90	4.35	82.65		
20	4.05	81.00	4.30	86.00		
21	4.00	84.00				
22	3.95	86.90				
23	3.90	89.70				
24	3.85	92.40				
25	3.80	95.00				

Lens options / light transmission percentage per lens

- | | | | | | |
|------------------|------------------------------|-----------------|---------------------------------|---------------------------------|---------------------------------|
| C Clear | HF Half (50%) Frosted | G Graze | SI Satin Ice | S Square Frosted | Q Rounded Square Frosted |
| F Frosted | M Medium beam frosted | R Raised | C36 Clear 36° beam angle | C10 Clear 10° beam angle | |

KS Channel (KSC-XX)

Compatibility: LLX18

- | | | | | |
|----------|----------|-----------|------------|----------|
| C | F | HF | C36 | R |
| 85% | 55% | 72% | 83% | 51% |

KM Channel (KMC-XX)

Compatibility: LLX18, LLX22

- | | | | | |
|----------|----------|-----------|------------|----------|
| C | F | HF | C10 | R |
| 71% | 42% | 58% | 67% | 39% |

K45M Channel (K45MC-XX)

Compatibility: LLX18, LLX22

- | | | | |
|----------|----------|-----------|------------|
| C | F | HF | C10 |
| 71% | 42% | 58% | 67% |

BOS Channel (BOSC-XX)

Compatibility: LLX18, LLX22

- | | | | |
|----------|-----------|----------|----------|
| F | SI | R | G |
| 43% | 56% | 46% | 67% |

KL Channel (KLC-XX)

Compatibility: LLX18, LLX22, LLX18X2

- | | | |
|----------|----------|-----------|
| C | F | HF |
| 83% | 55% | 68% |

KXL Channel (KXLC-XX)

Compatibility: LLX18, LLX22, LLX18X2

- | | | |
|----------|----------|-----------|
| C | F | HF |
| 74% | 46% | 61% |

CLA Channel (CLAC-XX)

Compatibility: LLX18, LLX22

- | | |
|----------|----------|
| S | Q |
| 62% | 63% |

ALC Channel (ALC-XX)

Compatibility: LLX18, LLX22

- | | | |
|----------|----------|-----------|
| C | F | HF |
| 79% | 58% | 69% |

KRS Channel (KRSC-XX)

Compatibility: LLX18

- | | | |
|----------|----------|-----------|
| C | F | HF |
| 85% | 55% | 72% |

KRM Channel (KRMC-XX)

Compatibility: LLX18, LLX22

- | | | |
|----------|----------|-----------|
| C | F | HF |
| 71% | 42% | 58% |

KRL Channel (KRLC-XX)

Compatibility: LLX18, LLX22, LLX18X2

- | | | |
|----------|----------|-----------|
| C | F | HF |
| 83% | 55% | 68% |

KRXL Channel (KRXLC-XX)

Compatibility: LLX18, LLX22, LLX18X2

- | | | |
|----------|----------|-----------|
| C | F | HF |
| 74% | 46% | 61% |

Wall + Channel (WPC-XX)

Compatibility: LLX18, LLX22

- | | |
|----------|----------|
| C | F |
| 47% | 44% |

RO Channel (RO-XX)

Compatibility: LLX18, LLX22

- | | |
|----------|----------|
| C | F |
| 75% | 52% |

ALS20 Channel (ALS20-XX)

Compatibility: LLX18, LLX22

- | | |
|----------|----------|
| C | F |
| 78% | 43% |

FL Channel (FL-XX)

Compatibility: LLX18, LLX22

- | | | |
|----------|----------|-----------|
| C | F | HF |
| 85% | 63% | 75% |

Installation

All mounting channels are field cuttable using miter saw with circular blade suitable for cutting aluminum.

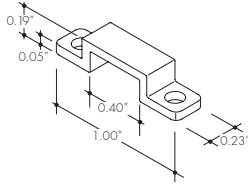
Ordering

Extrusions are sold separately. View respective specsheets for details on ordering extrusions and their accessories (endcaps, mounting brackets, etc).

Accessories

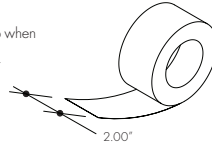
Mounting clip:
recommended at every 12" when
LineLED strip is facing down.

Part # CL-1



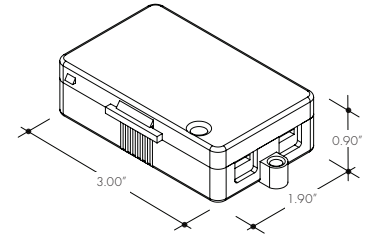
Heat sink tape:
included with LineLED strip when
no extrusions are ordered.

Part # HST



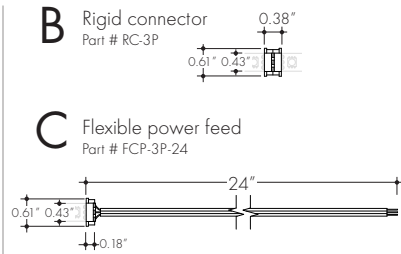
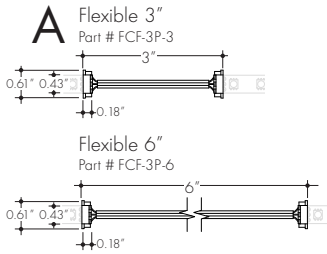
Splice Box:
low voltage, 4 terminal
splice box, black.

Part # LVSP-4T-BK

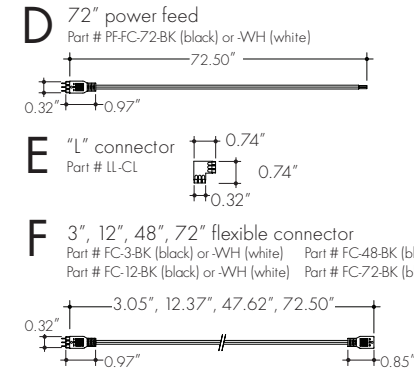


Connectors

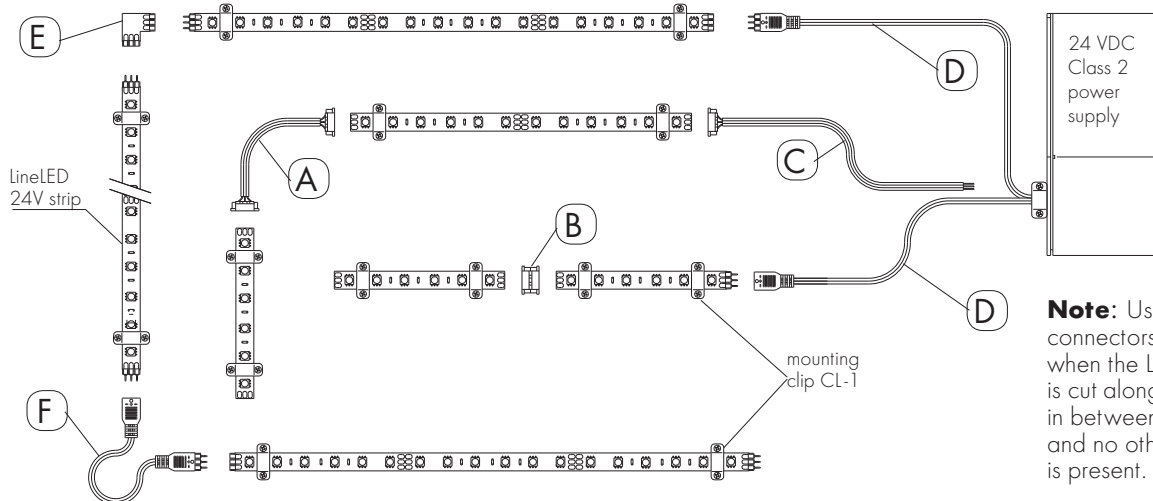
Field-cut connectors (not compatible with the LLX18X2 models)
(Reference dimensions below to determine if connector will fit inside of your extrusion. If so surface with contact of connector & extrusion must be insulated to prevent an electrical short)



3-pin connectors (not compatible with the LLX18X2 models)
(Reference dimensions below to determine if connector will fit inside of your extrusion. Connectors will not fit inside of the KSC, KRSC, BOS, & ALC Channel)



Sample layout with connectors



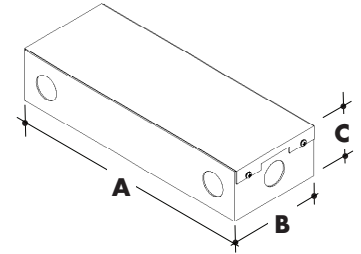
Power supply

See fixture and power supply instructions & spec sheet for wiring information. Dimming possible in select models - view Luminii website for list of compatible dimmers.

Non-Dimming:

MODEL	POWER	OUTPUT	DIMMING	LOCATION
PSV	40	24V	U2ND	D
PSV - PSV Series	40 - 40 W 60 - 60 W 96 - 96 W	24 - 24 VDC	U2ND - Non Dimming	D - Dry Location IP65 - Wet Location

MODELS	PSV Dry	PSV Wet
A Length	9.2"	9.5"
B Width	3.4"	4.12"
C Depth	1.9"	2.3"

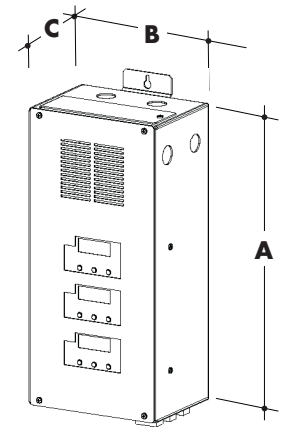


Dimming 0-10V:

MODEL	POWER	OUTPUT	DIMMING
PSO10V	3X96	24	LIN
PSO10V - 0-10V Power Supply dims down to 0%	3X96 - 3 X 96 WATT	24 - 24 VDC	LIN - Linear LOG - Logarithmic

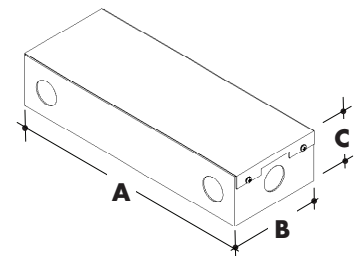
- features eldoLED's LINEARdrive configurable 0-10V drivers

MODELS	PSO10V
A Length	15.75"
B Width	6.60"
C Depth	4.80"



MODEL	POWER	OUTPUT	DIMMING	LOCATION
PSV	40	24V	U2DIM	D
PSV - PSV Series dims down to 5%	40 - 40 W 60 - 60 W 96 - 96 W	24 - 24 VDC	U2DIM - Dimming 0-10V	D - Dry Location IP65 - Wet Location

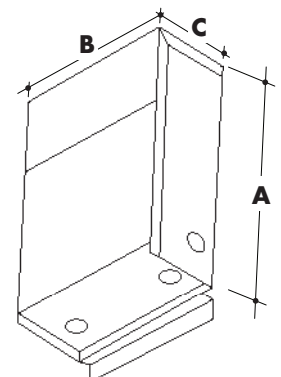
MODELS	PSV Dry	PSV Wet
A Length	9.2"	9.5"
B Width	3.4"	4.12"
C Depth	1.9"	2.3"



Dimming Magnetic low voltage:

MODEL	POWER	OUTPUT	INPUT
PSD	48	24	
PSD - PSD Series dims down to 0%	48 - 48 W 96 - 96 W 288 - 288 W (3x 96W)	24 - 24 VDC	Blank - 120 V 240 - 240 V 277 - 277 V

MODELS	PSD 48	PSD 96	PSD 288
A Length	11.25"	11.25"	13.06"
B Width	3.42"	3.42"	8.42"
C Depth	3.42"	3.27"	4.47"

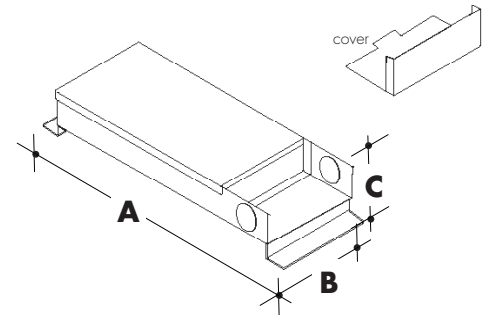


Power supply

See fixture and power supply instructions & spec sheet for wiring information. Dimming possible in select models - view Luminii website for list of compatible dimmers.

Dimming Electronic low voltage:

MODEL	CIRCUIT x POWER	OUTPUT	INPUT
CVE	48D	24V	
CVE - CVE Series	48D - 48W	24 - 24 VDC	Blank - 120 V
dims down to 0.1%	48X2D - 2 x 48W		277 - 277 V
	48X3D - 3 x 48W		
	48X4D - 4 x 48W		
	96D - 96W		
	96X2D - 2 x 96W		
	96X3D - 3 x 96W		
	96X4D - 4 x 96W		



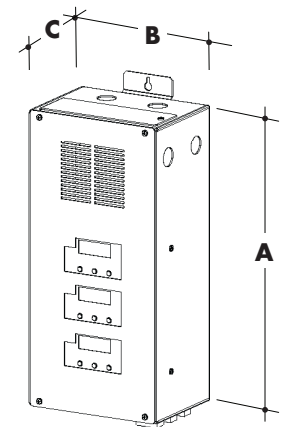
MODELS	Single circuit	Dual circuit	Three circuit	Four circuit
A Length	11.6"	11.5"	11.5"	11.5"
B Width	2.3"	4.0"	5.9"	7.75"
C Depth	1.3"	1.9"	1.9"	1.9"

DMX & DALI:

MODEL	POWER	OUTPUT
PSDMX	3X96	24
PSDMX - DMX Power Supply	3X96 - 3 X 96 WATT	24 - 24 VDC
PSDALI - DALI Power Supply		
dims down to 0%		

- Features eldoLED's LINEARdrive configurable dimmable drivers

MODELS	PSDMX	PSDALI
A Length	15.75"	15.75"
B Width	6.60"	6.60"
C Depth	4.80"	4.80"

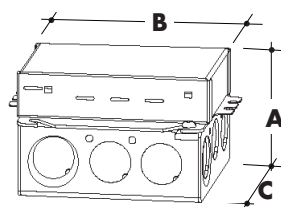


Luminii is a Lutron OEM Advantage Partner

MODEL
LTEA4U1UKL-CV240
Lutron -Hi-Lume™ 1% 2-wire LED driver (120V forward phase only)

MODELS	LTEA	L3DA
A Length	4.89"	4.89"
B Width	2.66"	2.66"
C Depth	4.00"	4.00"

MODEL
L3DA4U1UKL-CV240
Hi-Lume™ 1% EcoSystem Voltage LED Driver



MODEL
L3D0-96W24V-U
Hi-Lume™ 0.1% EcoSystem Voltage LED Driver with Soft-On, Fade-to-Black™

MODELS	L3D0
A Length	10.50"
B Width	5.50"
C Depth	2.00"

